

Rhombic nuts for T-slots



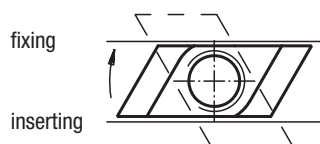
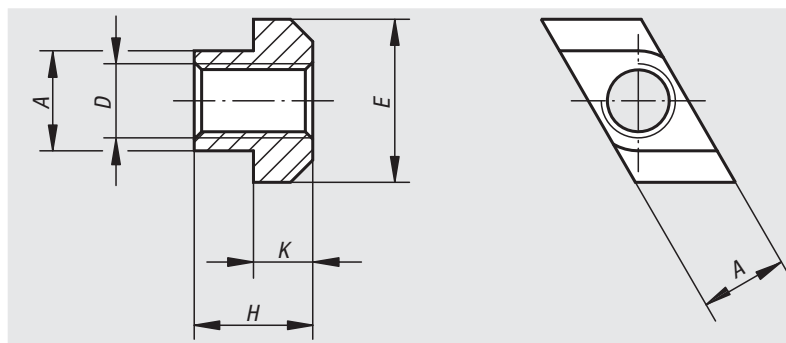
Material:
Tempered steel.

Surface finish:
Heat-treated class 8, black oxide finish.

Sample order:
nlm 07080-114

Note:
The benefit of rhombic nuts for T-slots is that they can be fitted in the slot from the top. They are particularly expedient for long T-slots, or when the configuration on the machine table does not permit clamping screws or nuts for T-slots to be inserted from the side.

Application:
Fit the rhombic nut in the slot, turn it by 90° and check that it is wedged in the slot.



Order No.	Nominal size of slot	D	A	E	H	K	Approx. weight kg
07080-105	6	M5	5,6	10	8	4	0,005
07080-106	8	M6	7,6	13	10	6	0,007
07080-108	10	M8	9,7	15	12	6	0,009
07080-110	12	M10	11,7	18	14	7	0,011
07080-210	14	M10	13,5	22	16	8	0,020
07080-310	18	M10	17,5	28	20	10	0,048
07080-112	14	M12	13,7	22	16	8	0,020
07080-114	16	M14	15,7	25	18	9	0,030
07080-116	18	M16	17,7	28	20	10	0,045
07080-216	20	M16	19,7	32	24	12	0,070
07080-316	22	M16	21,5	35	28	14	0,095
07080-416	28	M16	27,5	44	36	18	0,215
07080-118	20	M18	19,7	32	24	12	0,070
07080-120	22	M20	21,7	35	28	14	0,095
07080-124	28	M24	27,7	44	36	18	0,215
07080-130	36	M30	35,6	54	44	22	0,430
07080-136	42	M36	41,5	65	52	26	0,690