

Ball pressure screws with hexagon socket head

in stainless steel



Material, surface finish:

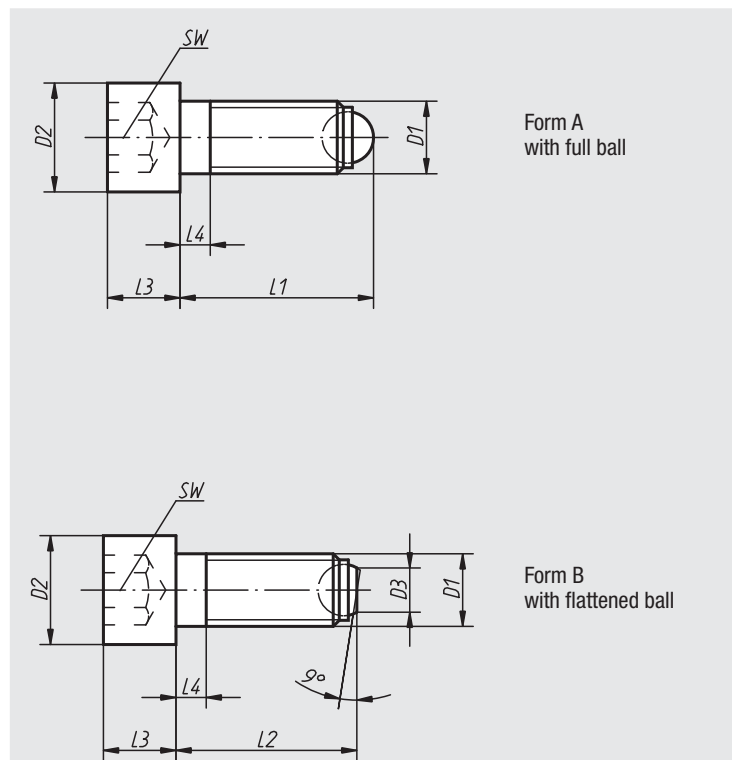
Stainless steel, natural finish.

Sample order:

nIm 07101-11230

Note:

Form A with full ball is used when a clean, polished pressure surface is required. Surfaces which are not plane and parallel can be firmly clamped or supported with form B with flattened ball because the movable ball can adapt itself up to 9°.



Order No. Form A	Order No. Form B	D1	D2	D3	L1	L2	L3	L4	Ball-Ø	SW	Approx. weight g
07101-10620	07101-20620	M6	10	-/3,2	20,8/-	-/20	6	3	4	5	6,6
07101-10630	07101-20630	M6	10	-/3,2	30,8/-	-/30	6	3	4	5	8,7
07101-10640	07101-20640	M6	10	-/3,2	40,8/-	-/40	6	16	4	5	11,0
07101-10820	07101-20820	M8	13	-/4,5	21,2/-	-/20	8	3,5	5,5	6	13,5
07101-10835	07101-20835	M8	13	-/4,5	36,2/-	-/35	8	3,5	5,5	6	19,0
07101-10850	07101-20850	M8	13	-/4,5	51,2/-	-/50	8	22	5,5	6	25,0
07101-11025	07101-21025	M10	16	-/6	26,7/-	-/25	10	4,5	7	8	26,0
07101-11040	07101-21040	M10	16	-/6	41,7/-	-/40	10	4,5	7	8	34,0
07101-11060	07101-21060	M10	16	-/6	61,7/-	-/60	10	28	7	8	47,0
07101-11230	07101-21230	M12	18	-/7,2	32/-	-/30	12	5	8,5	10	48,0
07101-11250	07101-21250	M12	18	-/7,2	52/-	-/50	12	5	8,5	10	56,0
07101-11280	07101-21280	M12	18	-/7,2	82/-	-/80	12	44	8,5	10	83,0
07101-11640	07101-21640	M16	24	-/10,7	43,3/-	-/40	16	6	12	14	91,0
07101-11660	07101-21660	M16	24	-/10,7	63,3/-	-/60	16	6	12	14	122,0
07101-11680	07101-21680	M16	24	-/10,7	83,3/-	-/80	16	36	12	14	154,0