

Grippers and inserts, round

with counterbore



Material, surface finish:

- Form C, E, K tool steel, hardened and black oxide finish, stainless steel, hardened, natural finish or POM
- Form O stainless steel with diamond surface comparable with abrasive grit size 100.
- Form F tool steel, hardened and black oxide finish.

Sample order:

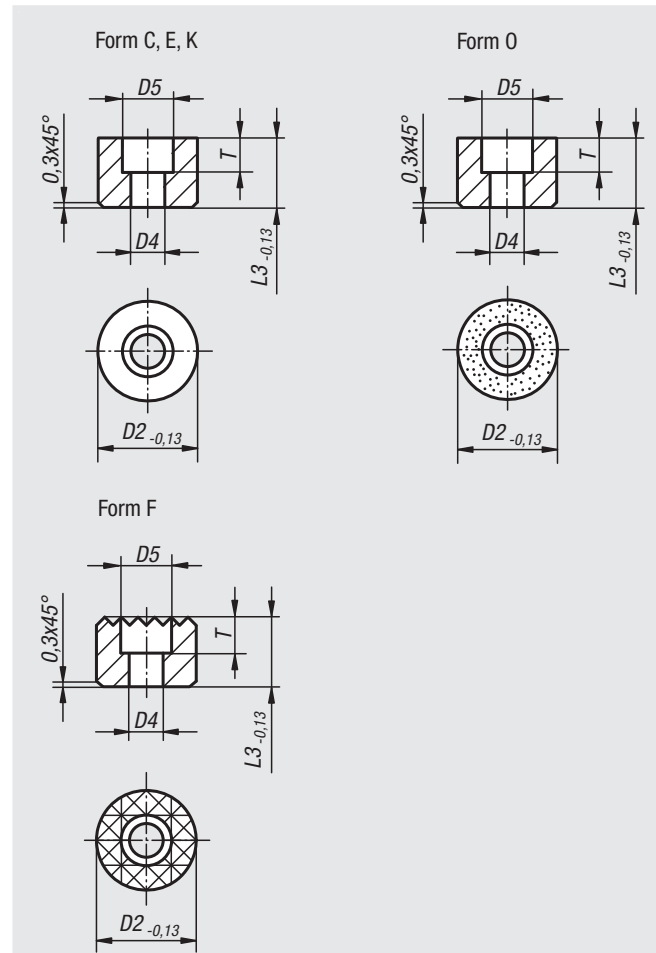
nlm 07113-110108

Note:

Grippers and inserts are ideal for use in clamping arms, gripping systems, clamping fixtures, clamping jaws and toggle locators. The use of grippers allows the transfer of very high torque values and above average grip, even with hard materials and surface irregularities.

Form O: The abrasive diamond surface is welded firmly to the base. It is ideally suited to supporting smooth or slippery applications with a minimum of clamping pressure. This allows the diamond particles to get a firm grip on a very small area with minimum damage to the surface.

The diamond surface offers excellent wear resistance.



Order No. Form C	Order No. Form E	Order No. Form K	Order No. Form O	D2	D4	D5	L3	T
07113-110108	07113-110102	07113-110109	07113-110105	10	3,4	6	10	5
07113-110128	07113-110122	07113-110129	07113-110125	10	3,4	6	12	5
07113-112108	07113-112102	07113-112109	07113-112105	12	4,5	9	10	5,6
07113-112128	07113-112122	07113-112129	07113-112125	12	4,5	9	12	5,6
07113-116108	07113-116102	07113-116109	07113-116105	16	5,5	11	10	6,6
07113-116128	07113-116122	07113-116129	07113-116125	16	5,5	11	12	6,6
07113-120108	07113-120102	07113-120109	07113-120105	20	6,6	11	10	7,6
07113-120128	07113-120122	07113-120129	07113-120125	20	6,6	11	12	7,6
07113-125108	07113-125102	07113-125109	07113-125105	25	6,6	11	10	7,6
07113-125128	07113-125122	07113-125129	07113-125125	25	6,6	11	12	7,6

Order No.	Form	D2	D4	D5	L3	T
07113-11210	F	12	4,5	8	10	5,6
07113-11212	F	12	4,5	8	12	5,6
07113-11610	F	16	4,5	8	10	5,6
07113-11612	F	16	4,5	8	12	5,6
07113-12010	F	20	5,5	10	10	6,6
07113-12012	F	20	5,5	10	12	6,6
07113-12510	F	25	6,6	11	10	7,6
07113-12512	F	25	6,6	11	12	7,6