

Hexagonal grippers

**Material:**

Hex head screw, strength class 10.9.
Serrated tips in carbide, hardness 72-74 HRC.

Surface finish:

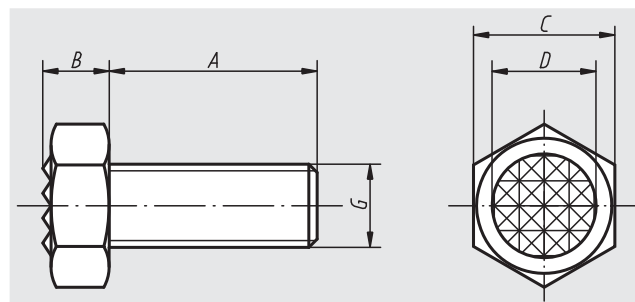
Black oxide finish.

Sample order:

nIm 07114-1710

Note:

The serrated hard metal tips are soldered in.



Order No.	A	B	C	D	G	Serration	Approx. weight kg
07114-1006	25	5	10	7,9	M6	superfine	0,005
07114-1308	25	6,4	13	9,5	M8	fine	0,015
07114-1710	25	8,3	17	12,7	M10	fine	0,025
07114-17102	40	8,3	17	12,7	M10	fine	0,035
07114-1912	25	8,7	19	15,9	M12	fine	0,040
07114-19122	40	8,7	19	15,9	M12	fine	0,050
07114-2416	35	11	24	19	M16	fine	0,085
07114-24162	50	11	24	19	M16	fine	0,105
07114-3020	40	13,7	30	25,4	M20	superfine	0,165
07114-30202	60	13,7	30	25,4	M20	superfine	0,205