

Torque bolts

with thrust point



Material:

Free-cutting steel

Surface finish:

Black oxide finish

Sample order:

nIm 07130-08X60

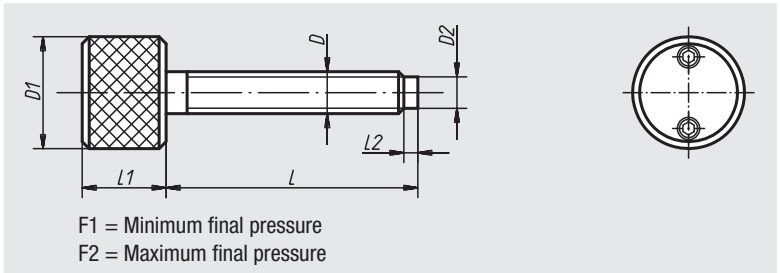
(Please also indicate dimension L)

Note:

The torque required for the knurled bolt is generated by two spring-mounted ball thrust components.

As soon as the adjustable final pressure is reached, the knurled handle runs free.

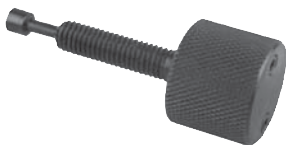
The final pressure is set using the grub screws located in the head.



Order No.	D	D1	D2	L	L1	L2	F1 (N)	F2 (N)
07130-06X	M6	25	4,7	40/60	20	3	40	800
07130-08X	M8	25	6,5	40/60/80	20	3	40	650
07130-10X	M10	25	8,2	40/60/80	20	3	40	550
07130-12X	M12	25	10	40/60/80/100	20	3	40	450

Torque bolts

with slot coupling



Material:

Free-cutting steel

Surface finish:

Black oxide finish

Sample order:

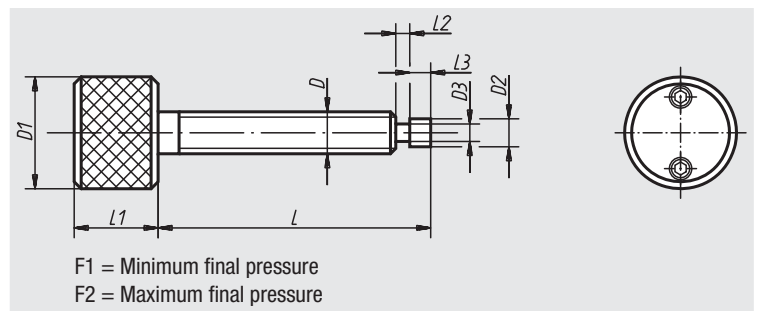
nIm 07131-06

Note:

The torque required for the knurled bolt is generated by two spring-mounted ball thrust components.

As soon as the adjustable final pressure is reached, the knurled handle runs free.

The final pressure is set using the grub screws located in the head.



Order No.	D	D1	D2	D3	L	L1	L2	L3	F1 (N)	F2 (N)	Approx. weight g
07131-06	M6	25	4,7	2,5	45	20	8	5	40	800	70
07131-10	M10	25	7,7	4,5	45	20	8	5	40	550	85