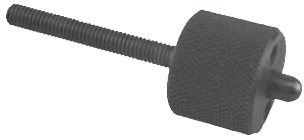


Torque bolt

with support frame



Material:

Free-cutting steel

Surface finish:

Black oxide finish

Sample order:

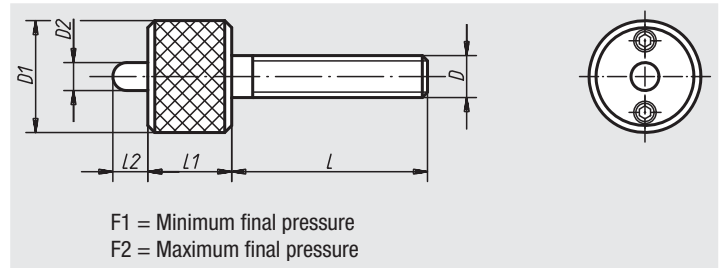
nIm 07132-06

Note:

The torque required for the knurled bolt is generated by two spring-mounted ball thrust components.

As soon as the adjustable final pressure is reached, the knurled handle runs free.

The final pressure is set using the grub screws located in the head.



Order No.	D	D1	D2	L	L1	L2	F1 (N)	F2 (N)	Approx. weight g
07132-06	M6	25	6	45	20	8	40	800	75
07132-10	M10	25	6	45	20	8	40	550	90
07132-12	M12	25	6	45	20	8	40	450	105

Torque grips



Material:

Nut: free cutting steel,
handle: grey cast GJL 250

Surface finish:

Black oxide finish

Sample order:

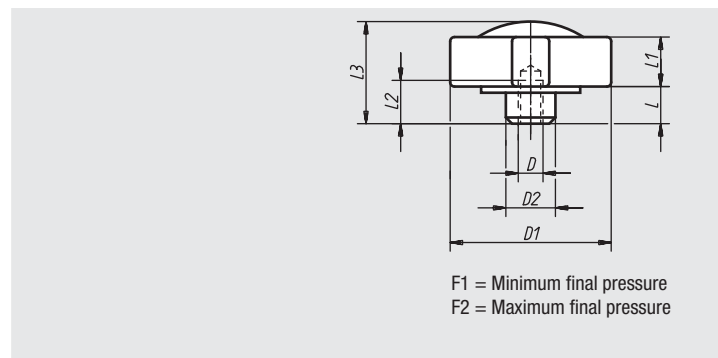
nIm 07133-08

Note:

The torque required for the grip is generated by two spring-mounted ball thrust components.

As soon as the adjustable final pressure is reached, the knurled handle runs free.

The final pressure is set using the grub screws located in the head.



Order No.	D	D1	D2	L	L1	L2	L3	F1 (N)	F2 (N)	Approx. weight g
07133-08	M8	60	20	12	22	13	40	40	900	340
07133-10	M10	60	20	12	22	13	40	40	700	335
07133-12	M12	60	20	12	22	13	40	40	500	335