

Hexagon nut

with no-loss washer



Material:

Hexagonal nut and washer in tempered steel;
retaining ring in PA 6 black

Surface finish:

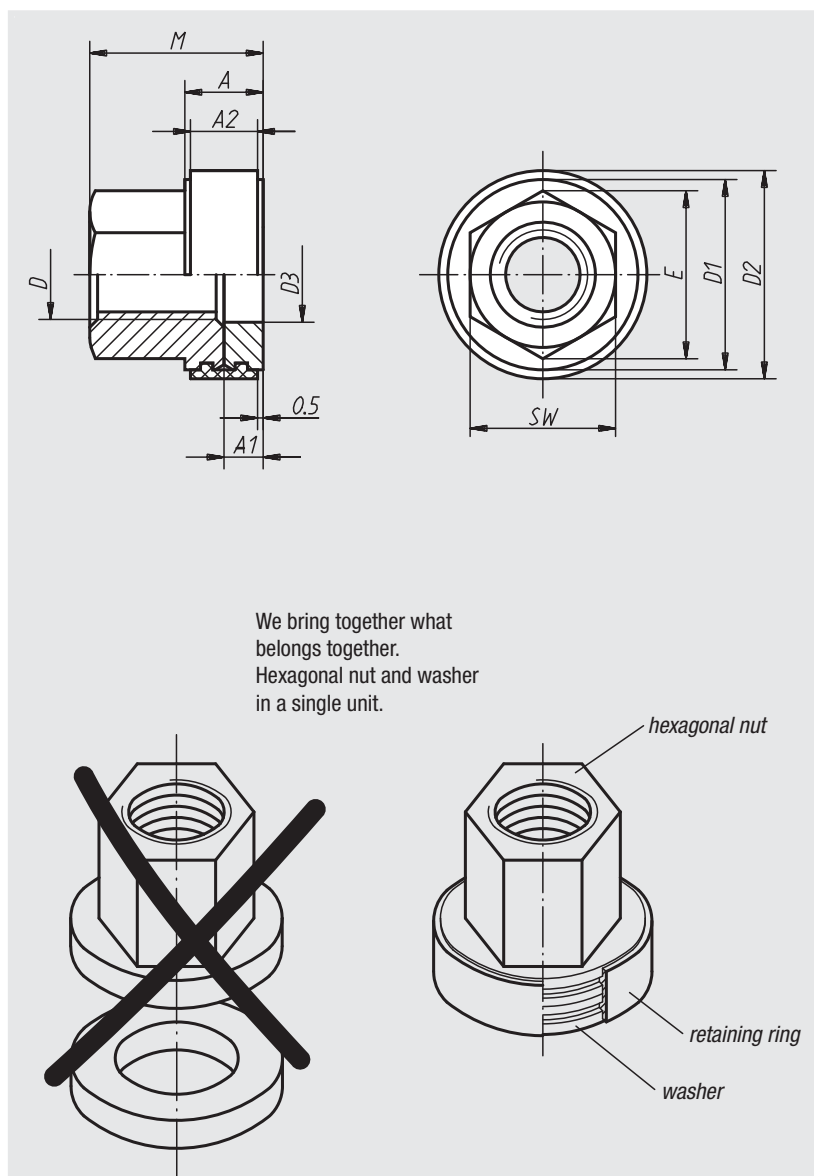
Hexagonal nut and washer tempered with black oxide finish;
hexagonal nut: quality class 10

Sample order:

nIm 07242-12

Advantages:

- A compact unit.
- The bolt is permanently attached to the hexagonal nut by a retaining ring.
- Components such as expensive special brackets, clamping disks and flanges, ect., are protected by the hexagonal nut with washer. This results in cost advantages due to less wear.
- There are other cost advantages in acquisition. One ordering process for what was previously two products.



Order No.	D	M	A	A1	A2	D1	D2	D3	E	SW	Approx. weight g
07242-08	M8	15,5	7	3,5	6	17	18,6	8,5	15	13	15
07242-10	M10	19	8	4	7	21	22,7	10,5	18,5	16	30
07242-12	M12	22	8	4	7	24	25,7	12,5	20,8	18	42
07242-16	M16	29	10	5	9	30	32	16,5	27,7	24	85
07242-20	M20	36	12	6	11	36	38	20,5	34,6	30	158
07242-24	M24	42	12	6	11	44	46	24,5	41,6	36	276