

Self-limiting bolt locking washers

DIN 25201

**Material:**

Steel or stainless steel

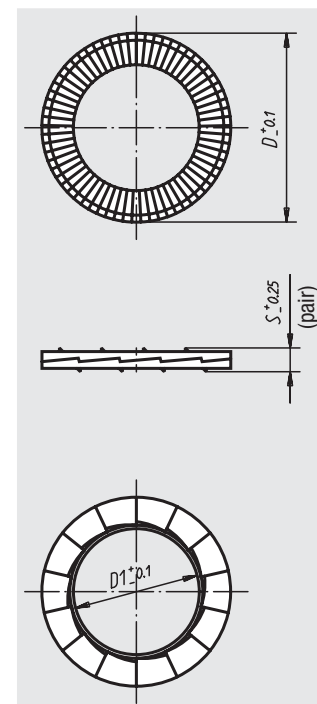
Surface finish:Galvanised steel, surface hardness 47 HRC $\pm 5\%$.Stainless steel, surface hardness HV 350 $\pm 5\%$ **Sample order:**

nlm 07310-0817261

Note:

The self-limiting bolt-locking washers guarantee that bolted joints exposed to transverse stresses, oscillations and vibration will be safe from loosening. A joint is also secure at low levels of tension. If the bolt (nut) tends to loosen independently in bolted joints under dynamic stress, the bolt (nut) carries its positive-locking washer with it, the sloped surfaces of which run directly up against the sloped surfaces of the counter-washer. In other words, the more a bolted joint „tries“ to loosen itself, the more securely the wedge action of the washer blocks the attempt.

Supplied glued as a pair.



Order No.	Surface finish	for screws	for screws "	D	D1	S
07310-030718	standard type	M3	1/8"	7	3,4	1,8
07310-050918	standard type	M5	3/16"	9	5,4	1,8
07310-061118	standard type	M6	1/4"	10,8	6,5	1,8
07310-081426	standard type	M8	5/16"	13,5	8,7	2,5
07310-101726	standard type	M10	3/8"	16,6	10,7	2,5
07310-122026	standard type	M12	1/2"	19,5	13	2,5
07310-162537	standard type	M16	5/8"	25,4	17	3,4
07310-182937	standard type	M18	11/16"	29	19,5	3,4
07310-203137	standard type	M20	3/4"	30,7	21,4	3,4
07310-030722	standard type stainless steel	M3	1/8"	7	3,4	2,2
07310-050922	standard type stainless steel	M5	3/16"	9	5,4	2,2
07310-061122	standard type stainless steel	M6	1/4"	10,8	6,5	2,2
07310-081422	standard type stainless steel	M8	5/16"	13,5	8,7	2,2
07310-101722	standard type stainless steel	M10	3/8"	16	10,7	2,2
07310-122022	standard type stainless steel	M12	1/2"	19,5	13	2,2
07310-162532	standard type stainless steel	M16	5/8"	25,4	17	3,2
07310-182932	standard type stainless steel	M18	11/16"	29	19,5	3,2
07310-203132	standard type stainless steel	M20	3/4"	30,7	21,4	3,2
07310-040918	aggrandized support surface	M4	5/32"	9	4,4	1,8
07310-061426	aggrandized support surface	M6	1/4"	13,5	6,5	2,5
07310-0817261	aggrandized support surface	M8	5/16"	16,6	8,7	2,5
07310-1021261	aggrandized support surface	M10	3/8"	21	10,7	2,5
07310-1225371	aggrandized support surface	M12	1/2"	25,4	13	3,4
07310-1631371	aggrandized support surface	M16	5/8"	30,7	17	3,4
07310-040922	aggrandized support surface stainless steel	M4	5/32"	9	4,4	2,2
07310-061422	aggrandized support surface stainless steel	M6	1/4"	13,5	6,5	2,2
07310-081722	aggrandized support surface stainless steel	M8	5/16"	16,6	8,7	2,2
07310-122532	aggrandized support surface stainless steel	M12	1/2"	25,4	13	3,2
07310-163132	aggrandized support surface stainless steel	M16	5/8"	30,7	17	3,2