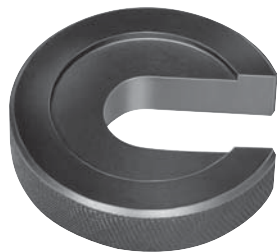


Projecting washer for devices

DIN 6372 extended



Material:

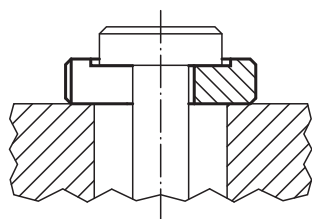
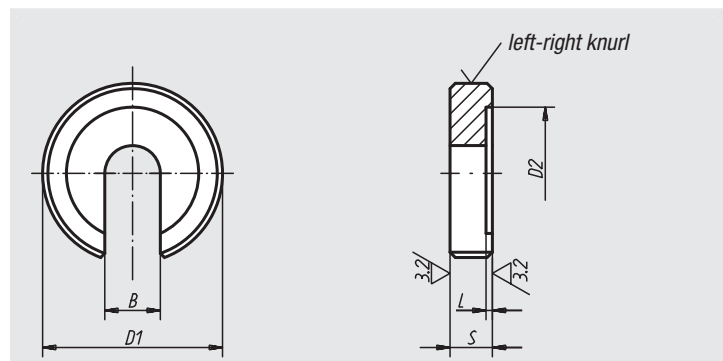
Tempered steel.

Surface finish:

Heat-treated and black oxide finish.

Sample order:

nIm 07380-12



Order No.	B	D1	D2	L	S	Approx. weight kg
07380-05	5,25	17	12	0,75	5	0,011
07380-06	6,4	22	16	0,8	6	0,012
07380-08	8,4	28	21	1	7	0,022
07380-10	10,5	34	25	1,2	8	0,040
07380-12	13	40	30	1,8	9	0,058
07380-14	14,5	48	33	1,8	12	0,110
07380-16	17	56	37	1,8	12	0,165
07380-20	21	64	45	2	14	0,230
07380-24	25	75	52	2	16	0,320
07380-30	31	90	65	2	18	0,720
07380-36	37	100	75	2,5	20	0,870