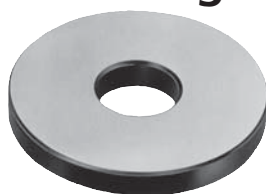


Spacing washers ground



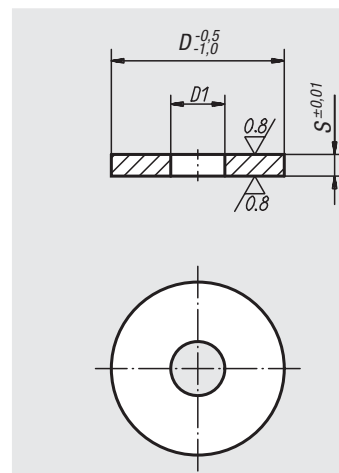
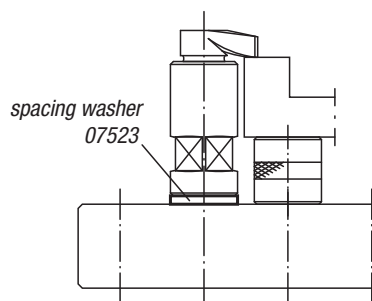
Material:
Tempered steel

Surface finish:
Heat-treated and black oxide finish; support surfaces, ground

Sample order:
nIm 07523-16005

Note:
The spacing washer is used to alter the clamping capacity of hook clamp and hook holder. If the spacing washer is inserted between the body and the hook holder or joint bar, it prevents damage to the support surface.

application example:



Order No.	D	D1	S	Approx. weight kg
07523-12001	40	12,5	1	0,009
07523-12003	40	12,5	3	0,027
07523-12005	40	12,5	5	0,045
07523-16001	50	16,5	1	0,014
07523-16003	50	16,5	3	0,042
07523-16005	50	16,5	5	0,068
07523-16105	60	16,5	5	0,100

Shoulder screws with slotted flat head

DIN 923

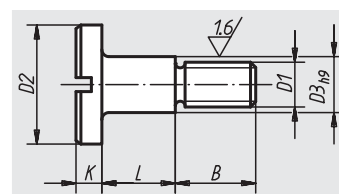


Material:
Steel.

Surface finish:
Black oxide finish, class 5.8.

Sample order:
nIm 07530-08

Note:
For use with captive C-washers 07520.



Order No.	D1	D2	D3	L	B	K	Approx. weight g
07530-06	M6	13	8	10 +0,15/+0,07	9	3,1	9
07530-08	M8	16	10	12 +0,2/+0,1	11	3,8	17
07530-10	M10	20	13	16 +0,2/+0,1	13,5	4,6	36

