

Locating bolts

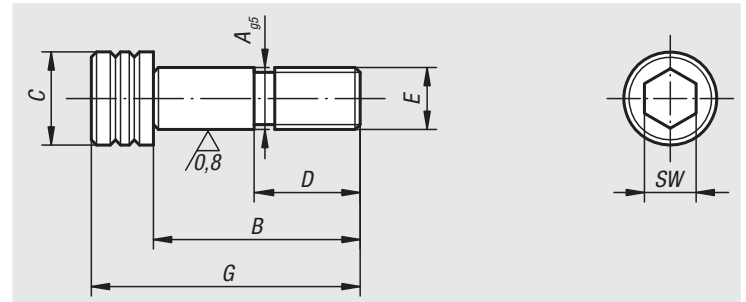
form B



Material:
Tempered steel

Surface finish:
heat-treated and black oxide finish; shank ground

Sample order:
nlm 07533-12065



Order No.	A	B	C	D	E	G	SW	Approx. weight kg
07533-12045	12	45	18	22	M12	57	10	0,050
07533-12055	12	55	18	22	M12	67	10	0,060
07533-12065	12	65	18	22	M12	77	10	0,065
07533-12075	12	75	18	22	M12	87	10	0,075
07533-16055	16	55	24	25	M16	71	14	0,115
07533-16065	16	65	24	25	M16	81	14	0,130
07533-16075	16	75	24	25	M16	91	14	0,145

Hexagon socket head shoulder screws

similar to DIN ISO 7379

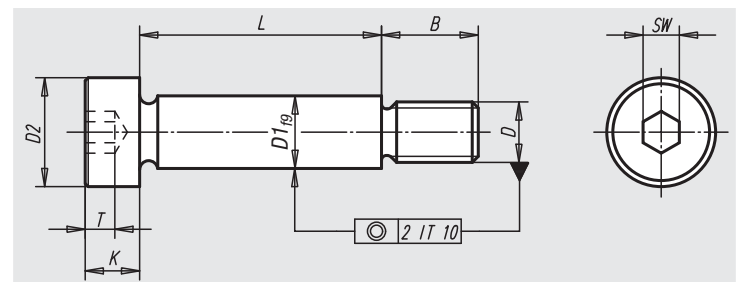


Material:
Steel.

Surface finish:
Class 12.9, black oxide finish.
Shaft diameter ground.

Sample order:
nlm 07534-06X20 (Please also indicate dimension L)

Note:
Hexagon socket head shoulder screws can do more than conventional screws. They are considered as „design elements“ for many purposes. They frequently lead to the most cost-effective solution because they simplify complicated designs. Hexagon socket head shoulder screws provide the nowadays decisive rationalisation effects.



Order No.	D1	D	D2	B	K	T	SW	L
07534-06X	6	M5	10	9,5 ±0,25	4,5	2,4	3	16/20/25/30/40/50/60
07534-08X	8	M6	13	11 ±0,25	5,5	3,3	4	16/20/25/30/40/50/60
07534-10X	10	M8	16	13 ±0,25	7	4,2	5	16/20/25/30/40/50/60/70/80
07534-12X	12	M10	18	16 ±0,40	9	4,9	6	30/40/50/60/70/80/90/100
07534-16X	16	M12	24	18 ±0,40	11	6,6	8	40/50/60/70/80/90/100/120
07534-20X	20	M16	30	22 ±0,40	14	8,8	10	50/60/70/80/90/100/120