

Adjusting nuts



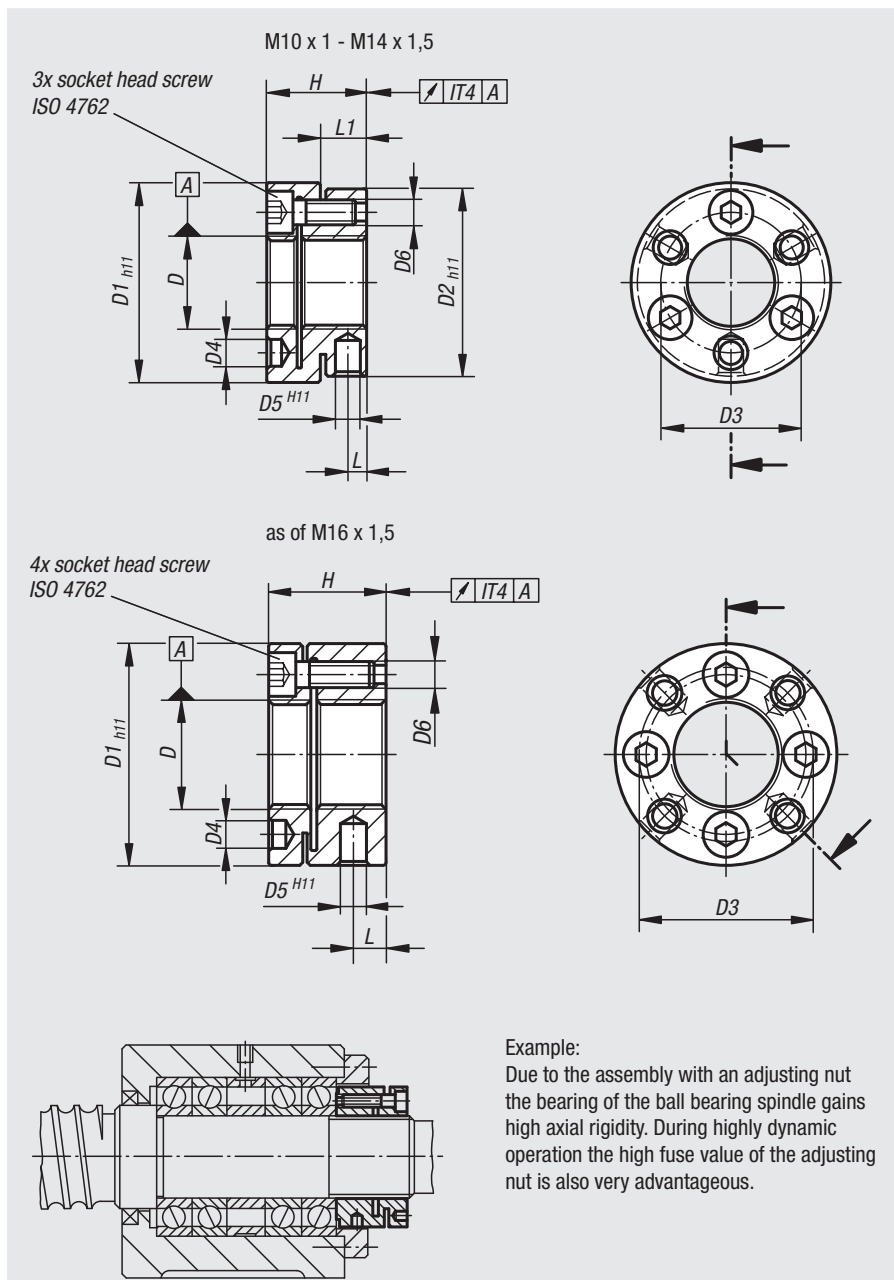
Material:
Steel;
clamping screws in tempered steel

Surface finish:
Black oxide finish;
clamping screws to ISO 4762, quality class 12.9

Sample order:
nlm 07598-024101015

Note:
Two torque parts that are connected with one another elastically are tightened with opposing screws. The adjusting nut is designed axially symmerically. There are no unbalance generating slots or recesses.

Attention:
The adjusting nut is deformable in the axial direction and must therefore be handled with care. The clamping screws may only be applied when the adjusting nut is completely screwed on to the shaft thread. Otherwise, the adjusting nut could become defective through unacceptable plastic deformation.



Example:
Due to the assembly with an adjusting nut the bearing of the ball bearing spindle gains high axial rigidity. During highly dynamic operation the high fuse value of the adjusting nut is also very advantageous.

Order No.	D	D1	D2	D3	D4	D5	D6	H	L	L1	Tightening torque of screws (Nm)	Max. static axial pressure stress N	Max. dynamic axial pressure stress N	Inertia (gcm ²)	Approx. weight kg
07598-024101015	M10x1	24	22	17	3,2	2,5	M3	15	3	6,5	2	15000	12000	27	0,032
07598-026121515	M12x1,5	26	25	19	3,2	3	M3	15	3	6,5	2	18000	13000	40	0,038
07598-032141516	M14x1,5	32	30	22,5	4,3	4	M4	16	3	7	2,9	22000	17000	96	0,062
07598-034161518	M16x1,5	34	-	24,5	4,3	4	M4	18	5	-	2,9	22000	17000	147	0,078
07598-036181518	M18x1,5	36	-	26,5	4,3	4	M4	18	5	-	2,9	25000	19000	183	0,085
07598-040201518	M20x1,5	40	-	30,5	4,3	4	M4	18	5	-	2,9	28000	18000	283	0,108
07598-040221518	M22x1,5	40	-	30,5	4,3	4	M4	18	5	-	2,9	32000	23000	270	0,099
07598-042241518	M24x1,5	42	-	32,5	4,3	4	M4	18	5	-	2,9	35000	25000	323	0,106
07598-045261520	M26x1,5	45	-	36,5	4,3	5	M4	20	6,5	-	2,9	49000	34000	479	0,135
07598-046281520	M28x1,5	46	-	38,5	4,3	5	M4	20	6,5	-	2,9	53000	36000	504	0,135
07598-048301520	M30x1,5	48	-	40,5	4,3	5	M4	20	6,5	-	2,9	57000	38000	588	0,142
07598-050321522	M32x1,5	50	-	42,5	4,3	5	M4	22	7	-	2,9	64000	44000	743	0,164
07598-053351522	M35x1,5	53	-	45,5	4,3	5	M4	22	7	-	2,9	66000	47000	914	0,178

01000
02000
03000
04000
05000
06000
07000
08000
09000
20000
21000
22000
23000