

# Reinforced threaded inserts

with internal thread, self-locking



stainless steel

## Material, surface finish:

Threaded insert in stainless steel, passivated.

## Sample order:

nIm Reinforced Threaded Insert 07664-110

Assembly tool 07661-810

## Note:

Reinforced threaded inserts allow threaded holes which have been damaged, torn out or jammed to be used again or to be repaired. This makes it possible to recover scrap and rejects of expensive products.

Reinforced threaded inserts are suitable for use in various materials, including light metals and casting.

Inserts with internal threads larger than M6 are supplied with four locking pins instead of two.

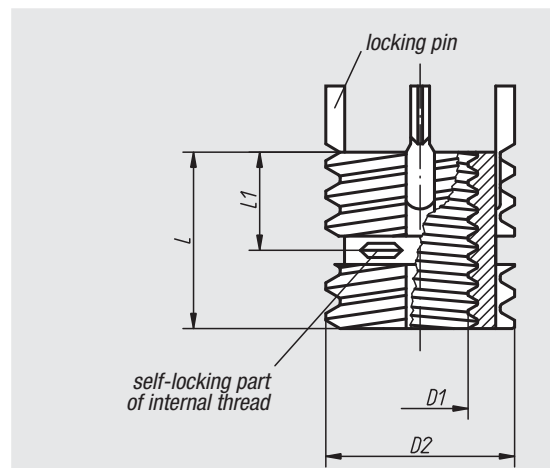
Permissible deviations:

The medium tolerance class applies to the threads listed, i.e. 6H for nut threads and 6g for bolt threads. Other dimensions  $\pm 0.25$  mm.

Technical information see operating instructions for threaded inserts.

## Advantages:

- Quick and easy installation.
- The insert is fixed with pins in order to prevent torsion due to twisting or vibrations.
- No other special tools are required besides the assembly tool.



Order No.	D1 Internal thread	D2 External thread	L1 Length	L Length	Installation drill $\emptyset$	Installation countersunk $\emptyset$ +0,25	Installation screw tab	Installation Min. thread depth	Removal drill $\emptyset$	Removal drilling depth	Order no. assembly tools
07664-104	M4	M8	4	8	6,9	8,3	M8	9,5	5,5	4	07661-804
07664-105	M5	M10x1,25	5	10	8,8	10,3	M10x1,25	12,5	7,5	4,8	07661-805
07664-106	M6	M12x1,25	6	12	10,8	12,3	M12x1,25	14,5	9,5	4,8	07661-806
07664-108	M8	M14x1,5	7	14	12,8	14,3	M14x1,5	16,5	11,5	4,8	07661-808
07664-110	M10	M16x1,5	8	16	14,8	16,3	M16x1,5	18,5	13,5	4,8	07661-810
07664-112	M12	M18x1,5	9	18	16,8	18,3	M18x1,5	20,5	15,5	4,8	07661-812
07664-114	M14	M20x1,5	10	20	18,8	20,3	M20x1,5	22,5	17,5	4,8	07661-814
07664-116	M16	M22x1,5	11	22	20,7	22,3	M22x1,5	24,5	17,8	6,4	07661-816
07664-116X15	M16x1,5	M22x1,5	11	22	20,7	22,3	M22x1,5	24,5	17,8	6,4	07661-816
07664-118X15	M18x1,5	M24x1,5	12	24	22,5	24,3	M24x1,5	26,5	19,8	6,4	07661-818
07664-120	M20	M30x2	15	30	28	30,3	M30x2	34,5	25,8	6,4	07661-820