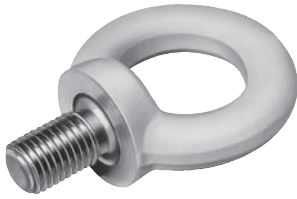


Lifting eye bolts, male

similar to DIN 580



Material:

Hardened steel 1.0401 or stainless steel (1.4301)

Surface finish:

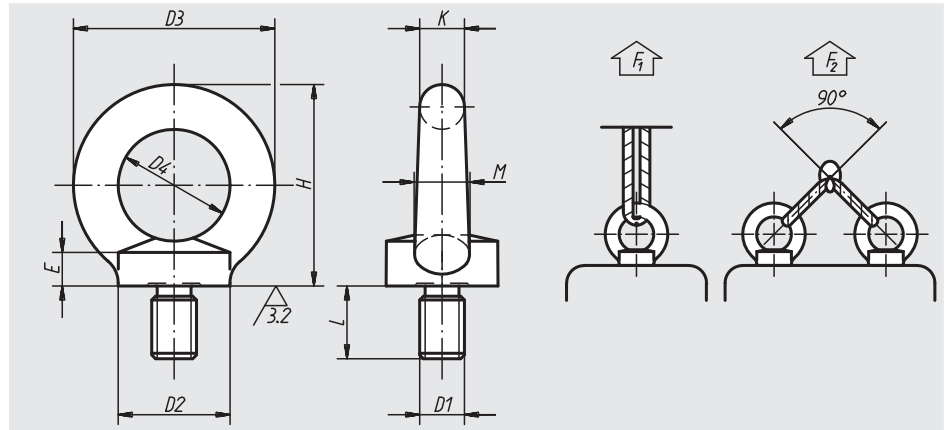
Formed blank

Sample order:

nIm 07680-20

Note:

These Lifting Eye Bolts male are suitable for cordons, fences, little clamping tasks and similar applications. They must not be used for security-relevant applications.



Order No. steel	Order No. stainless steel	D1	L	D2	D3	D4	E	H	K	M	F1 max. kN	F2 max. kN	Approx. weight kg
07680-08	07680-108	M8	13	20	36	20	6	36	8	10	1,4	0,95	0,050
07680-10	07680-110	M10	17	25	45	25	8	45	10	12	2,3	1,7	0,110
07680-12	07680-112	M12	20,5	30	54	30	10	53	12	14	3,4	2,4	0,190
07680-16	07680-116	M16	27	35	63	35	12	62	14	16	7	5	0,300
07680-20	-	M20	30	40	72	40	14	71	16	19	12	8,3	0,470
07680-24	-	M24	36	50	90	50	18	90	20	24	18	12,7	0,950

Lifting eye bolts, female

similar to DIN 582



Material:

Hardened steel 1.0401 or stainless steel 1.4301

Surface finish:

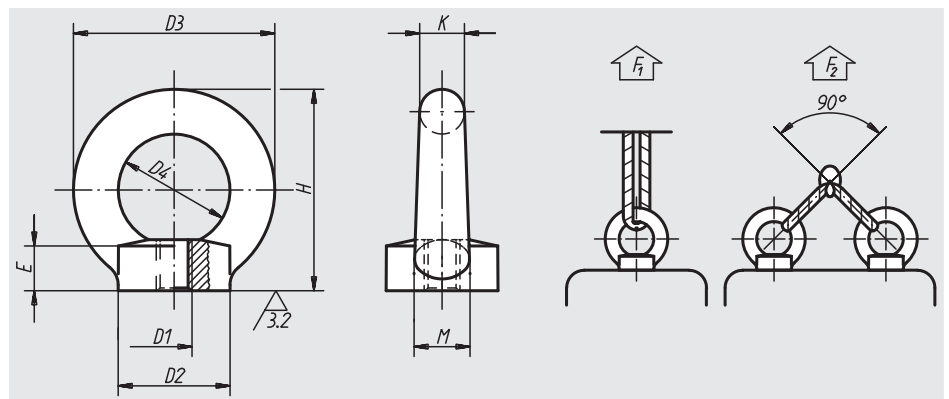
Formed blank

Sample order:

nIm 07690-10

Note:

These Lifting Eye Bolts female are suitable for cordons, fences, little clamping tasks and similar applications. They must not be used for security-relevant applications.



Order No. steel	Order No. stainless steel	D1	D2	D3	D4	E	H	K	M	F1 max. kN	F2 max. kN	Approx. weight kg
07690-08	07690-108	M8	20	36	20	8,5	36	8	10	1,4	0,95	0,050
07690-10	07690-110	M10	25	45	25	10	45	10	12	2,3	1,7	0,100
07690-12	07690-112	M12	30	54	30	11	53	12	14	3,4	2,4	0,180
07690-16	07690-116	M16	35	63	35	13	62	14	16	7	5	0,270
07690-20	07690-120	M20	40	72	40	16	71	16	19	12	8,3	0,400
07690-24	-	M24	50	90	50	20	90	20	24	18	12,7	0,700