

# Revolving lifting eye bolts male

high-strength



**Material:**  
Ring in steel 1.6541;  
screw in steel

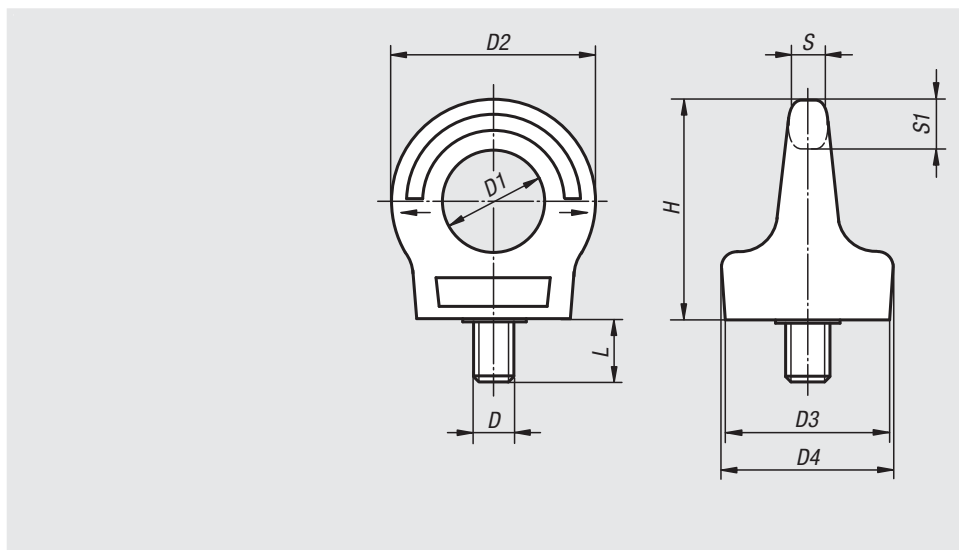
**Surface finish:**  
Ring is forged and high-strength heat-treated. 100% electromagnetic crack testing in accordance with EN 1677-4, quadruple safety. Plastic-coated, red. Screw quality class 10.9.

**Sample order:**  
nlm 07695-08150

**Note:**  
In contrast to lifting eye bolts per DIN 580, the ring is rotary seated; therefore the direction of force is adjustable and unintended under-tightening or over-tightening is precluded. The higher load rating than for lifting eye bolts per DIN 580 makes it possible to use smaller fixing thread. The special hexagon socket screw is loss-proof.

- can rotate 360°
- quadruple safety
- lateral stop up to 90° is possible
- ring body can rotate 360° with tightened screw

The listed load values apply for a minimum screw length of 1x nominal thread diameter in steel with a minimum tensile strength of 37 kp/mm<sup>2</sup>, at an application temperature of -20 °C to +100 °C.



Maximum transport weight "G" in kg for different stop types

Kind of attachment	0°		90°		0°-45°		45°-60°	
	G	G	G	G	G	G	G	G
Number of pieces	1	2	1	2	2	2	3 - 4	3 - 4
Inclination angle $\alpha$	0°	0°	90°	90°	0°-45°	45°-60°	0°-45°	45°-60°
M8	1000	2000	400	800	560	400	840	600
M10	1000	2000	400	800	560	400	840	600
M12	2000	4000	750	1500	1000	750	1600	1120
M16	4000	8000	1500	3000	2000	1500	3150	2250
M20	6000	12000	2300	4600	3220	2300	4830	3450
M24	8000	16000	3200	6400	4480	3200	6700	4800
M30	12000	24000	4500	9000	6300	4500	9400	6700

Order No. without hexagon wrench	Order No. with hexagon wrench	D	D1	D2	D3	D4	H	L	S	S1	Permissible load kg
07695-08150	07695-08151	M8	25	49	32	34	52,5	15	8,5	12	400
07695-10150	07695-10151	M10	25	49	32	34	52,5	15	8,5	12	400
07695-12180	07695-12181	M12	30	58	44	46	62,4	18	8,5	14	750
07695-16240	07695-16241	M16	35	67	56	60	71,5	24	15	16	1500
07695-20300	07695-20301	M20	40	76	58	60	79,9	30	17	18	2300
07695-24360	07695-24361	M24	48	94	73	76	96,9	36	20	23	3200
07695-30450	07695-30451	M30	60	107	80	84	123,9	45	28	27	4500

01000  
02000  
03000  
04000  
05000  
06000  
07000  
08000  
09000  
20000  
21000  
22000  
23000