

Lifting eye bolts with Envirolox® protective finish



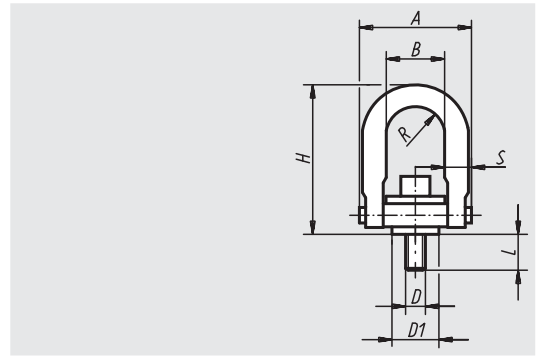
Material:
Tempered steel

Surface finish:
Lifting Eye Bolt with Envirolox®-protective finish; washer chromated

Sample order:
nlm 07735-10

Note:
Each Lifting Eye Bolt undergoes visual inspection after load testing (safety factor 5).
The new Envirolox®-protective finish is environmentally friendly and is proven to be effective in extreme conditions.
Possible application areas: in corrosive atmospheres such as maritime freight, chemical industry etc.

Safety instructions see 07730.



Order No.	A	B	D	D1	H	L	R	S	max. permissible load kg	Tightening torque Nm	Approx. weight kg
07735-08	46,7	22	M8	19	67,8	12,5	10,9	9,7	400	9,81	0,153
07735-10	46,7	22	M10	19	67,8	17,5	10,9	9,7	450	16,7	0,162
07735-12	89,4	46	M12	38,1	121,4	19	22,4	19	1050	37,3	1,057
07735-16	89,4	46	M16	38,1	121,4	29	22,4	19	1900	80,4	1,103
07735-20	89,4	46	M20	38,1	121,4	34	22,4	19	2150	133	3,112
07735-120	130,6	70	M20	58,7	165,6	32	35,6	25,4	3000	133	3,112
07735-24	130,6	70	M24	58,7	165,6	37	35,6	25,4	4200	304	3,203
07735-30	165,1	90	M30	81	221,7	46	44,5	31,7	7000	588	6,300

Side pull rings

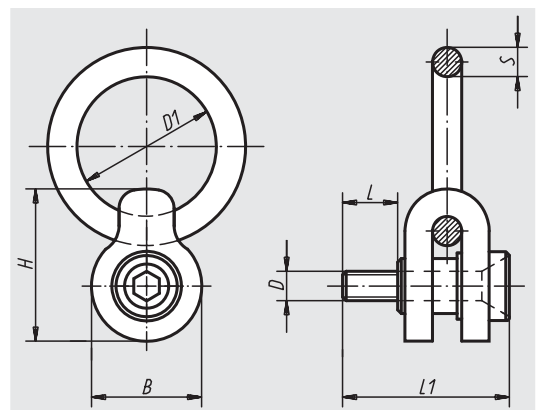


Material:
Tempered steel

Surface finish:
Black oxide finish

Sample order:
nlm 07750-10

Note:
Each Side Pull Ring undergoes visual inspection after load testing (safety factor 5).
Each Side Pull Ring is supplied with a technical safety data sheet for installation.
Do not use spacer washers between the bushing flange and support surface.
Fasten the screws to the stated torque. Check and tighten the screws regularly. After assembly, check if the ring turns freely in all directions.
Lift with care! Avoid impacts!
In no event must the permissible load stamped on the Side Pull Ring be exceeded.



Order No.	D	D1	B	H	L	L1	S	max. permissible load kg	Tightening torque Nm	Approx. weight kg
07750-08	M8	50,5	38	51	16	61	9,5	325	4,21	0,120
07750-10	M10	50,5	38	51	20	63	9,5	500	5,88	0,120
07750-12	M12	76	60	81	24	85	16	725	19,61	1,461
07750-16	M16	76	60	81	31	94	16	1400	34,32	1,483
07750-20	M20	101,5	95	125,5	40	133	25,5	2290	68,65	5,240
07750-24	M24	101,5	95	125,5	47	147	25,5	3050	122,6	5,280