

Swivel eye bolts



Material:
Tempered steel or stainless steel

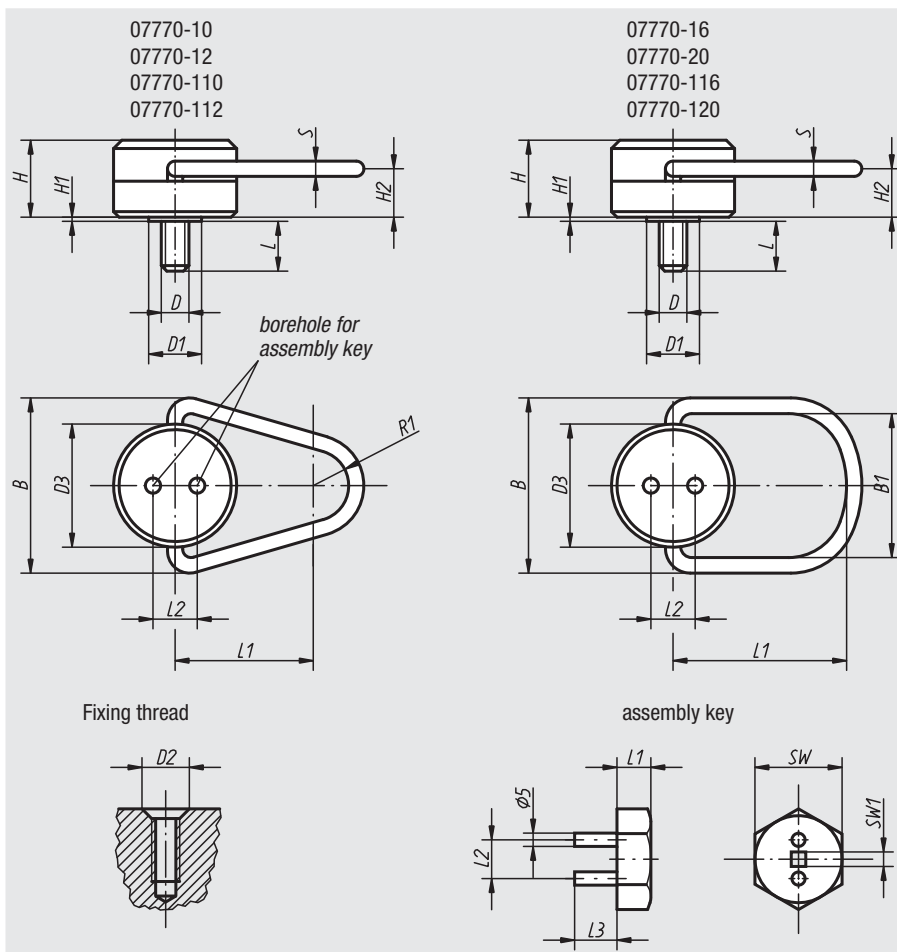
Surface finish:
Steel black oxide finish, stainless steel natural finish

Sample order:
nlm Swivel eye bolt 07770-10.
Assembly key 07770-101.

Note swivel eye bolt:
Do not use spacer washers between the bushing flange and support surface.
Keep to the permissible counterbore diameter (D2) of the threaded protective hole.
Fasten the screws to the stated torque. Check and tighten the screws regularly. After assembly, check if the clevis turns freely in all directions.
Lift with care! Avoid impacts!
In no event must the permissible load stamped on the swivel eye bolts be exceeded.
Safety data sheet available at extra cost.

Note assembly key:

- Insert the assembly key in the existing holes in the swivel eye bolt.
- Tighten the swivel eye bolt to the recommended torque using a torque spanner.
- Keep to the permissible counterbore diameter of the threaded protective hole.

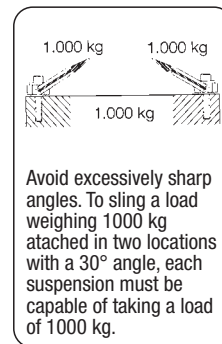
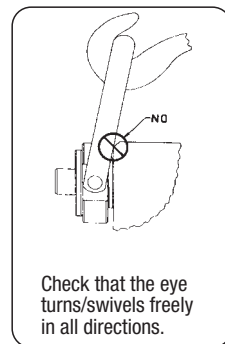


Swivel eye bolt

Order No.	Material	B	B1	D	D1	D2	D3	H	H1	H2	L	L1	L2	R1	S	max. permissible load kg	Recommended tightening torque Nm	suitable for lifting ring: Order No.	Approx. weight kg
07770-10	steel	66,7	-	M10	19,1	13	44,5	27,8	1,2	17,9	14,6	50,8	16,3	12,7	7,9	500	10	07770-101	0,375
07770-12	steel	66,7	-	M12	19,1	16	44,5	27,8	1,2	17,9	19,1	50,8	16,3	12,7	7,9	700	25	07770-101	0,379
07770-16	steel	96,8	70	M16	22,2	19	63,5	38,5	0,8	22,6	23,8	88,9	23,1	-	12,7	1500	50	07770-101	1,248
07770-20	steel	96,8	70	M20	25,4	22	63,5	38,5	0,8	22,6	30,2	88,9	23,1	-	12,7	2000	80	07770-101	1,290
07770-110	stainless steel	66,7	-	M10	19,1	13	44,5	27,8	1,2	17,9	14,6	50,8	16,3	12,7	7,9	250	10	07770-201	0,375
07770-112	stainless steel	66,7	-	M12	19,1	16	44,5	27,8	1,2	17,9	19,1	50,8	16,3	12,7	7,9	350	25	07770-201	0,379
07770-116	stainless steel	96,8	70	M16	22,2	19	63,5	38,5	0,8	22,6	23,8	88,9	23,1	-	12,7	750	50	07770-201	1,248
07770-120	stainless steel	96,8	70	M20	25,4	22	63,5	38,5	0,8	22,6	30,2	88,9	23,1	-	12,7	1000	80	07770-201	1,290

Assembly key

Order No.	L1	L2	L3	SW	SW1
07770-101	14	16,3	17,5	24	1/4"
07770-201	16,5	23,1	28,6	32	3/8"



01000
02000
03000
04000
05000
06000
07000
08000
09000
20000
21000
22000
23000