

## Swivel eye bolts

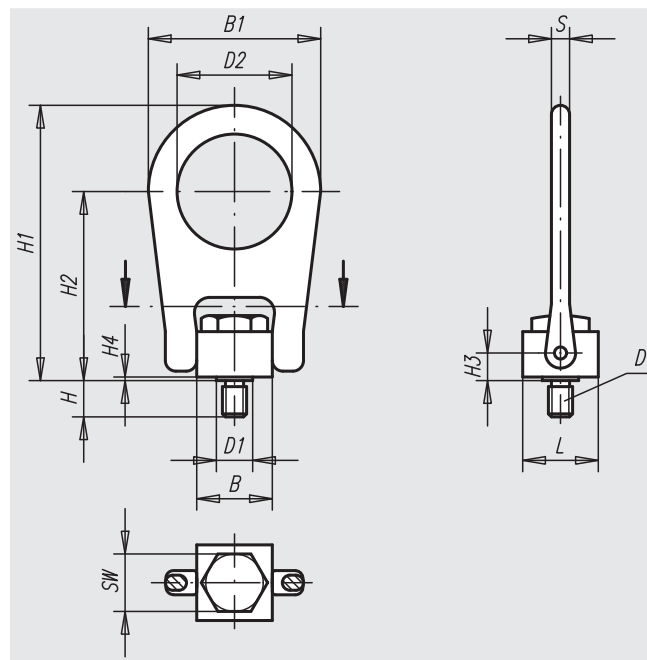


**Material:**  
Tempered steel

**Surface finish:**  
Black oxide finish

**Sample order:**  
nlm 07774-10

**Note:**  
Each swivel eye bolt undergoes visual inspection after load testing (safety factor 5).  
Each swivel eye bolt is supplied with a technical safety data sheet for installation.  
Do not use spacer washers between the bushing flange and support surface.  
Fasten the screws to the stated torque. Check and tighten the screws regularly. After assembly, check if the clevis turns freely in all directions.  
Lift with care! Avoid impacts!  
In no event must the permissible load stamped on the swivel eye bolt be exceeded.



Order No.	B	B1	D	D1	D2	H	H1	H2	H3	H4	L	S	SW	max. permissible load kg	Tightening torque Nm
07774-08	25,4	57,2	M8	12,7	38,1	12	91,3	62,7	8,7	1,2	25,4	6,3	19	400	10
07774-10	25,4	57,2	M10	12,7	38,1	15	91,3	62,7	8,7	1,2	25,4	6,3	19	450	17
07774-12	50,8	112,7	M12	25,4	76,2	18	161,9	101,6	14,3	1,6	38,1	19	32	1050	37
07774-16	50,8	112,7	M16	25,4	76,2	24	161,9	101,6	14,3	1,6	38,1	19	32	1900	80
07774-20	50,8	112,7	M20	25,4	76,2	30	161,9	101,6	14,3	1,6	38,1	19	32	2150	134