

Lifting pins in stainless steel

self-locking



Material:

Bolt and shackle in stainless steel 1.4542;
pressure bolt in stainless steel 1.4305;
balls in stainless steel 1.4125;
pressure spring in stainless steel 1.4310

Surface finish:

Bolt and balls hardened and passivated

Sample order:

nIm 07782-2810X15
(please also indicate dimension L1)

Note:

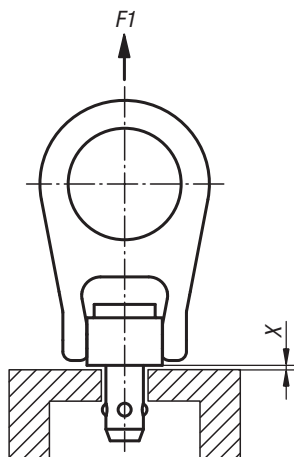
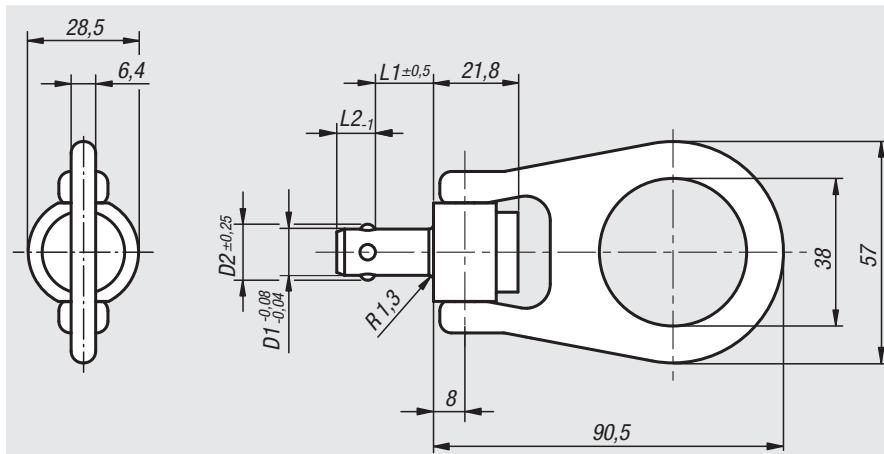
Quickly and easily usable carrying element with movable shackle and safety bar against unintended detachment. The balls can be unlocked by pressing the push button. If the push button is released, the balls lock securely.

Corrosion and weathering resistant.

High-strength, hardened bolt allows extreme loads with the highest wear-resistance. Temperature range of application up to 250°C.

CE certified.

Information X max, and F1 with 5-fold safety.



Order No.	D1	D2	L1	L2	X max.	F1 kN	Receiving hole
07782-2810X	10	12	15/20/25/30/35/40/50/75	9	1,5	4,4	10 +0,1
07782-2812X	12	14,27	15/20/25/30/35/40/50/75/100	10	1,5	5,5	12 +0,1
07782-2816X	16	19	15/20/25/30/35/40/50/75/100	14	1,5	6,2	16 +0,1