

2 Part locking rings


Material, surface finish:

Steel 1.0718, natural finish;
stainless steel 1.4305, natural finish

Sample order:

nln 07812-01001

Note:

Split clamping rings surround the shaft with a uniformly distributed clamping force. This leads to a dimensionally precise fit and very high retaining forces without damaging the shaft.

The shaft tolerance should lie within h11.

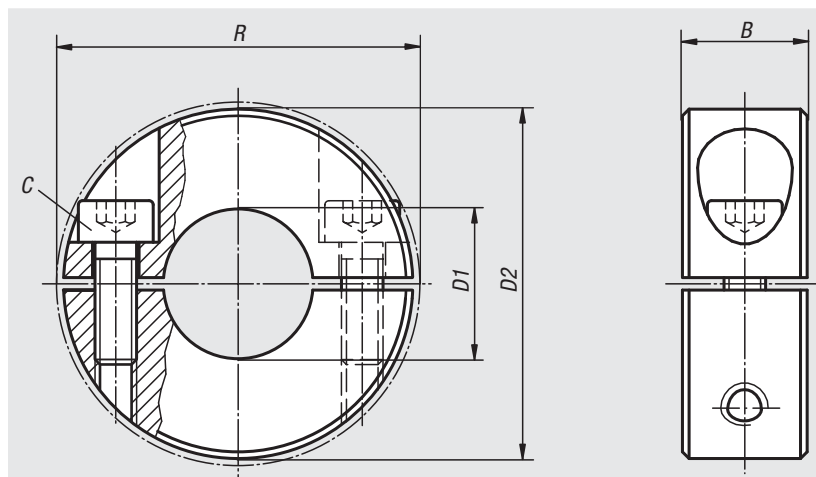
Easy and fast installation is possible without damaging the near-by components due to the two-part design.

Temperature range:

-40 °C up to +175 °C.

On request:

Other dimensions.



Order No. Material steel	Order No. Material stainless steel	B	C (DIN 912)	D1	D2	R	Approx. weight kg
07812-01001	07812-01002	9	M3x10	10	24	26	0,022
07812-01201	07812-01202	11	M4x12	12	28	31,8	0,038
07812-01501	07812-01502	13	M5x16	15	34	39,4	0,065
07812-01601	07812-01602	13	M5x16	16	34	39,4	0,063
07812-01801	07812-01802	13	M5x16	18	36	41,1	0,069
07812-02001	07812-02002	15	M6x18	20	40	46,4	0,097
07812-02201	07812-02202	15	M6x18	22	42	48,1	0,103
07812-02501	07812-02502	15	M6x18	25	45	50,8	0,114
07812-02801	07812-02802	15	M6x18	28	48	53,5	0,123
07812-03001	07812-03002	15	M6x18	30	54	58,4	0,163
07812-04001	07812-04002	15	M6x18	40	60	64,8	0,163
07812-05001	07812-05002	19	M8x25	50	78	83,9	0,386