

Drilling plates

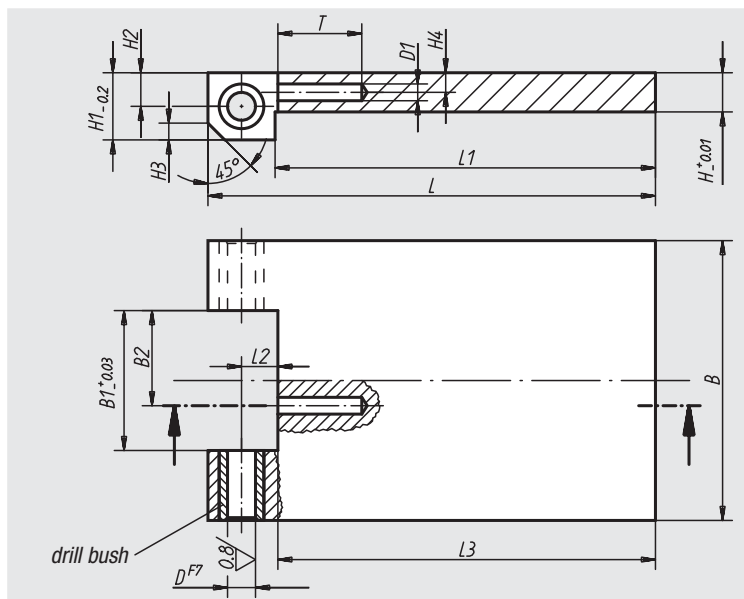
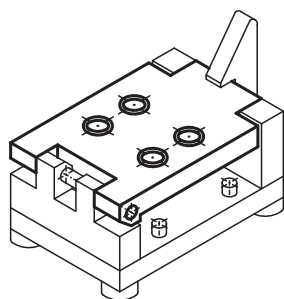


Material:
1.0036

Surface finish:
Natural finish

Sample order:
nlm 08000-02

Note:
Spring, cylindrical pin and shims are supplied.
Complete sets of drilling jig elements see
08250 – 08280.



Order No.	L	L1	L2	L3	B	B1	B2	H	H1	H2	H3	H4	D	D1	T	Approx. weight kg
08000-01	80	68	6,5	67,5	50	25	17	7	12	6	4	2,5	5	3	15	0,205
08000-02	100	84	8,5	83,5	65	32	22	9	15	8	5,5	3	6	3	15	0,430
08000-03	150	130	10,5	129,5	100	50	33	16	20	10	7,5	5	8	3	15	1,755

Bearing blocks, long

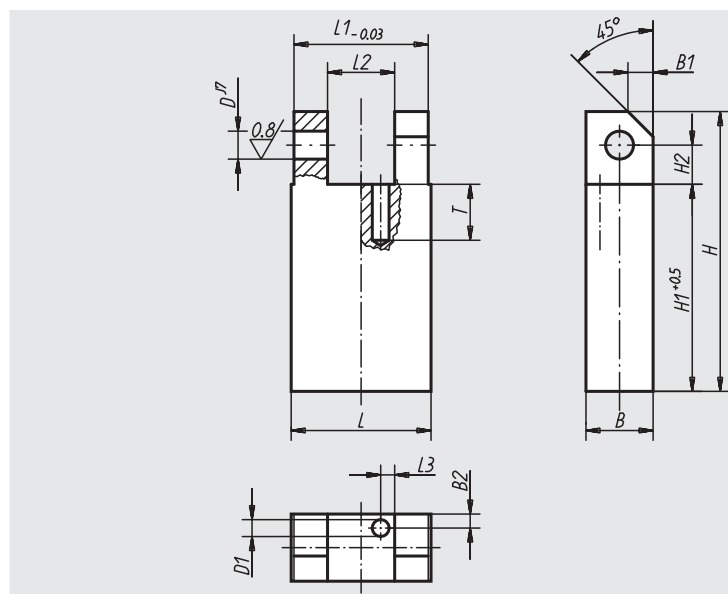
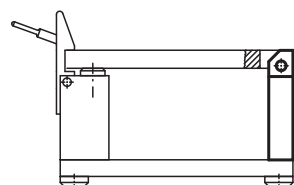


Material:
1.0036

Surface finish:
Black oxide finish

Sample order:
nlm 08050-01

Note:
Complete sets of drilling jig elements see
08250 – 08280.



Order No.	L	L1	L2	L3	B	B1	B2	H	H1	H2	D	D1	T	Approx. weight kg
08050-01	25	24	12	2,5	12	4,5	2,5	50	37	7	5	3	10	0,096
08050-02	32	31	16	2,5	16	6	2,5	63	46	9	6	3	10	0,195
08050-03	50	49	20	2,5	20	8	2,5	100	79	11	8	3	10	0,705