

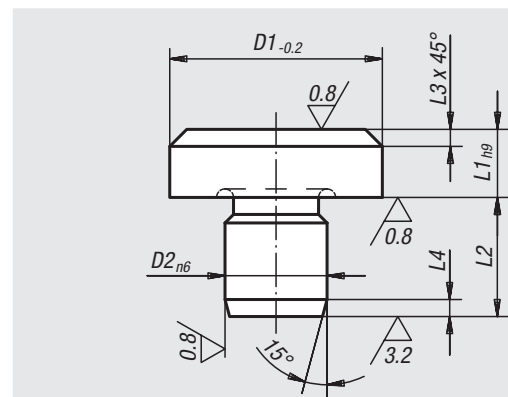
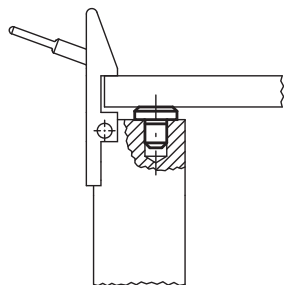
Thrust bolts



Material:
Tool steel.

Surface finish:
Hardened and ground.
Support surface without centring.

Sample order:
nlm 02010-041



Order No.	D1	L1	D2	L2	L3	L4	Approx. weight kg
02010-041	6	2,5	4	6,5	0,7	1,2	0,001
02010-042	6	4,5	4	8,5	0,7	1,2	0,002
02010-061	10	4,5	6	8,5	0,9	1,5	0,004

Thrust washers

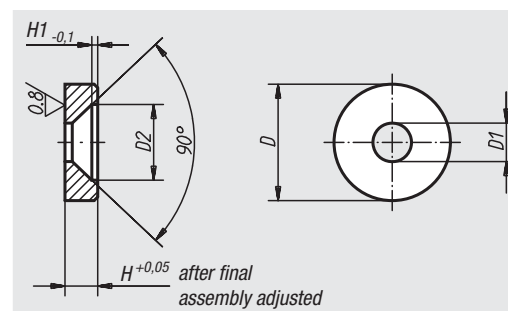
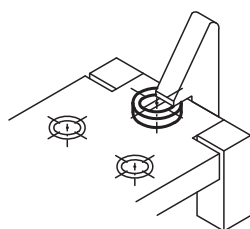


Material:
Free-cutting steel

Surface finish:
Carbonitrided and tempered, black oxide finish; lower surface ground

Sample order:
nlm 08180-01

Note:
Complete sets of drilling jig elements see 08250 – 08280.



Order No.	D	D1	D2	H	H1	Approx. weight g
08180-01	12	4,3	8,3	2,5	0,4	2
08180-02	16	5,3	10,4	4,5	0,8	5