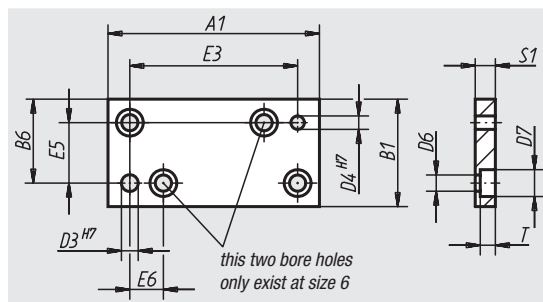


Base plates

DIN 6348



Material:

Steel

Surface finish:

Black oxide finish.

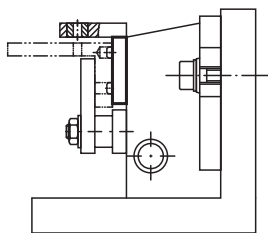
Sample order:

nIm 08580-05

Note:

* ±0,01

** ±0,015



| Order No. | Suitable for drill clamp size | Size of drill clamp | A1 | B1 | B6 | D3 | D4 | D6 | D7 | E3 | E5 | E6 | S1 | T | Approx. weight kg |
|-----------|-------------------------------|---------------------|-----|-----|-------|----|----|------|----|-------|-------|----|----|-----|-------------------|
| 08580-00 | 0 | 60 x 32 | 63 | 32 | 25 | 4 | 5 | 4,5 | 8 | 50* | 18* | - | 6 | 4,6 | 0,100 |
| 08580-01 | 1 | 80 x 50 | 80 | 50 | 30 | 10 | 8 | 6,6 | 11 | 60* | 20* | - | 10 | 6,8 | 0,300 |
| 08580-02 | 2 | 100 x 60 | 100 | 60 | 50 | 10 | 8 | 6,6 | 11 | 80* | 40* | - | 10 | 6,8 | 0,500 |
| | 2 S | 100 x 60 x 115 | | | | | | | | | | | | | |
| 08580-03 | 3 | 100 x 125 | 85 | 125 | 100 | 14 | 10 | 6,6 | 11 | 60** | 75** | - | 10 | 6,8 | 0,900 |
| | 3 S | 125 x 100 | | | | | | | | | | | | | |
| 08580-04 | 4 | 200 x 160 | 188 | 160 | 130 | 14 | 10 | 9 | 15 | 150** | 100** | - | 15 | 9 | 3,500 |
| 08580-05 | 5 | 300 x 190 | 278 | 190 | 157,5 | 20 | 18 | 9 | 15 | 220** | 125** | - | 15 | 9 | 5,700 |
| 08580-06 | 6 | 400 x 250 | 400 | 250 | 225 | 20 | 18 | 13,5 | 20 | 320** | 200** | 40 | 18 | 13 | 12,000 |