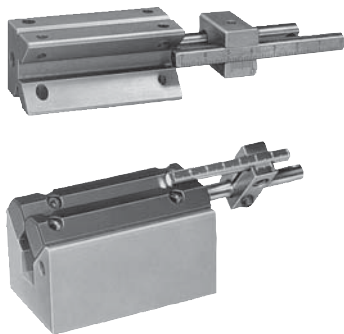


V-blocks

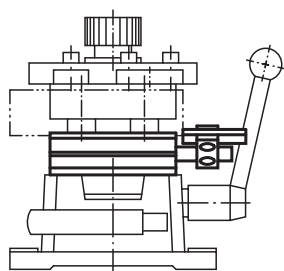
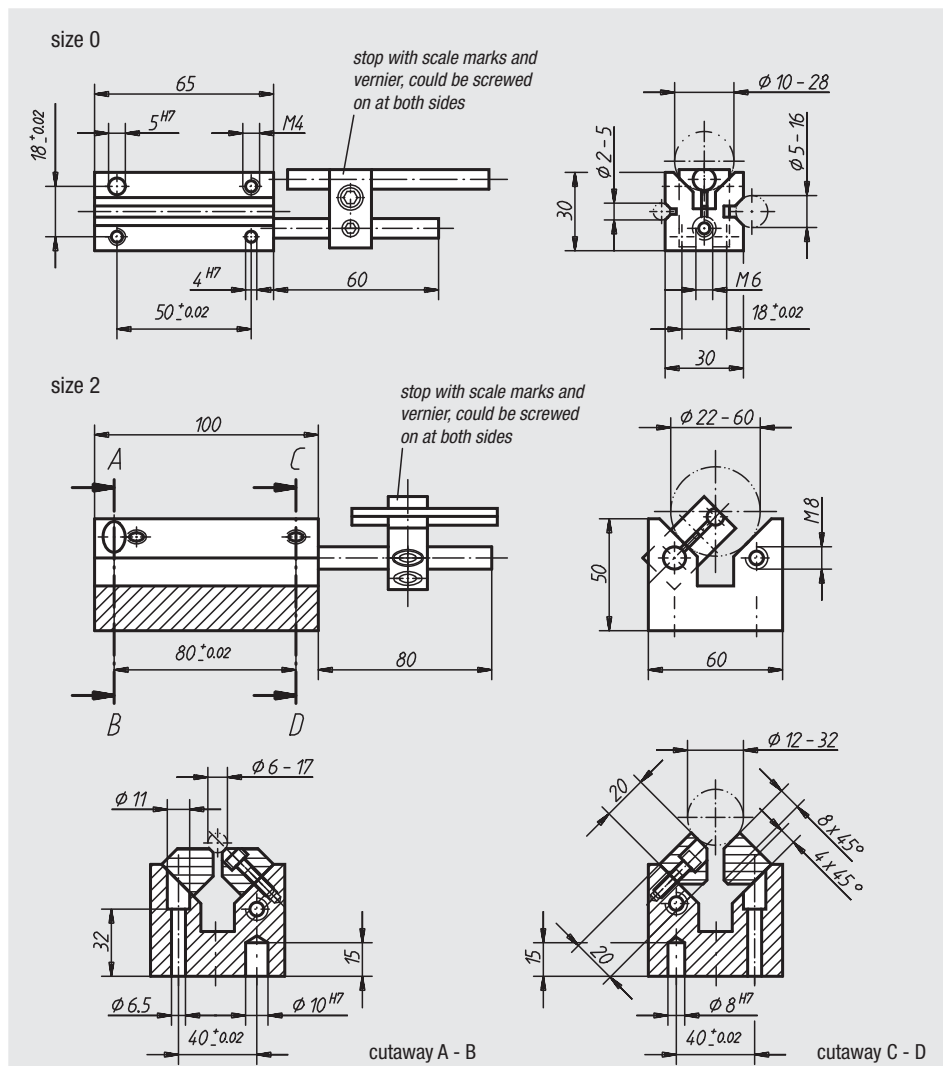
with stop



Material:
V-blocks 1.0531; jaw in steel

Surface finish:
Natural finish; jaws black oxide finish and ground

Sample order:
nln 08710-02



Order No.	Suitable for size of lathe-work drill clamp	Approx. weight kg
08710-00	0	0,390
08710-02	2	2,250

01000
02000
03000
04000
05000
06000
07000
08000
09000
20000
21000
22000
23000