

09072

## Flat gripper with internal thread

in NdFeB

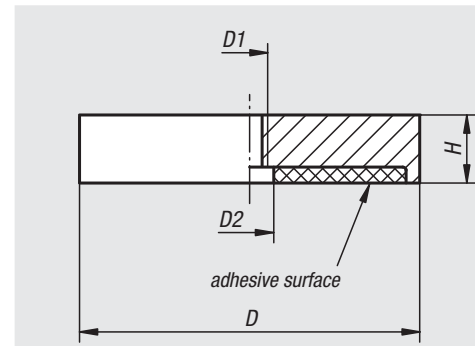


**Material, surface finish:**  
Housing in galvanized steel.  
Magnetic core NdFeB

**Sample order:**  
nlm 09072-01

**Note:**  
Shielded system

**Temperature range:**  
max. 80°C.



Order No.	D	D1	D2	H	Adhesive force N	Approx. weight g
09072-01	32	M5	5,5	7	330	40
09072-02	40	M5	10,5	8	550	73
09072-03	63	M10	11,7	14	1.100	316
09072-04	75	M10	13	15	1.750	480

09094

## Pot magnets

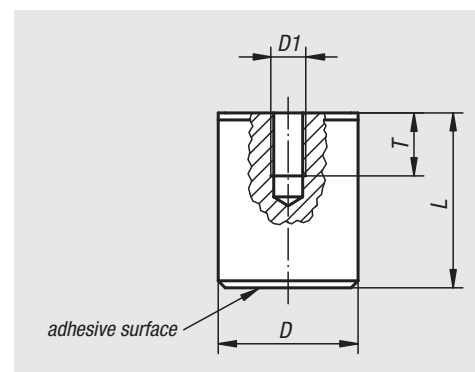


**Material, surface finish:**  
Housing in steel, painted red.  
Magnetic core AlNiCo.

**Sample order:**  
nlm 09094-01

**Note:**  
Hard magnet in aluminium housing and steel jacket.  
Shielded system. Pot magnets are used for holding, for lifting and for fitting into devices.

**Temperature range:**  
max. 450°C.



Order No.	D	D1	L	T	Adhesive force N	Approx. weight g
09094-01	17	M6	16	4	18	26
09094-02	21	M6	19	5	28	50
09094-03	27	M6	25	6	65	110
09094-04	35	M6	30	9	115	215
09094-05	65	M12	43	13	400	1.080