

## Flat gripper with internal thread

in NdFeB, with rubber protective jacket



### Material, surface finish:

Housing in galvanized steel.

Magnetic core NdFeB (neodymium)

Protective rubber jacket, synthetic rubber, black.

### Sample order:

nIm 09112-01

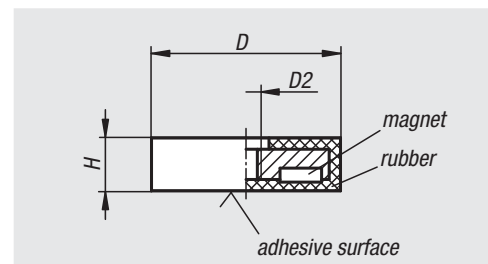
### Note:

Flat gripper with internal thread. Shielded system.

With rubber protective jacket for protecting sensitive surfaces. The coefficient of friction is increased by the rubber protective jacket, so that high lateral static friction forces are achieved.

### Temperature range:

max. 60°C.



Order No.	D	D2	H	Adhesive force N	Approx. weight g
09112-01	22	M4	6	35	9
09112-02	31	M5	6	75	21
09112-03	43	M4	6	85	29
09112-04	66	M6	8,5	180	100
09112-05	88	M8	8	420	186

## Flat gripper with threaded bush

in NdFeB, with rubber protective jacket



### Material, surface finish:

Housing in galvanized steel.

Magnetic core NdFeB (neodymium)

Protective rubber jacket, synthetic rubber, black.

### Sample order:

nIm 09114-01

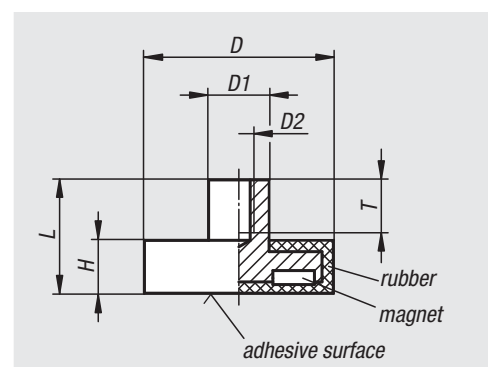
### Note:

Flat gripper with threaded bush, shielded system.

With rubber protective jacket for protecting sensitive surfaces. The coefficient of friction is increased by the rubber protective jacket, so that high lateral static friction forces are achieved.

### Temperature range:

max. 60°C.



Order No.	D	D1	D2	H	L	T	Adhesive force N	Approx. weight g
09114-01	12	8	M4	7	14,8	6	10	6
09114-02	22	8	M4	6	11,5	6	50	13
09114-03	31	8	M4	6	11,5	5	75	22
09114-04	43	8	M4	6	10,5	5	85	30
09114-05	66	10	M5	8,2	15	8	180	105
09114-06	88	12	M8	8,2	17	11	420	192