



AC HYDRAULICS LTD

HYDRAULIC & PNEUMATIC SYSTEMS & EQUIPMENT



CATALOGUE No. 115

UNIT 11, SKETCHLEY MEADOWS, SKETCHLEY MEADOWS IND EST,
HINCKLEY, LEICESTERSHIRE, LE10 3EN

TEL: 01455 611116

FAX: 01455 614282

sales@achydraulics.co.uk

www.achydraulics.co.uk



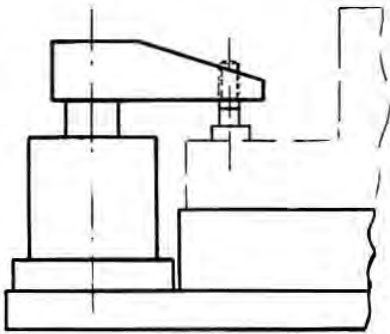
AC Hydraulics Ltd.

UNIT 11, SKETCHLEY MEADOWS, SKETCHLEY MEADOWS IND EST,
HINCKLEY, LEICESTERSHIRE, LE10 3EN

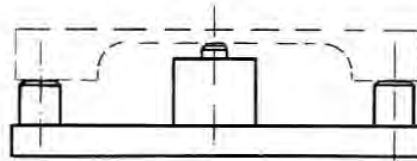
TEL: 01455 611116, FAX: 01455 614282

EMAIL: sales@achydraulics.co.uk WEB: www.achydraulics.co.uk

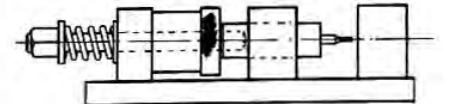
APPLICATIONS



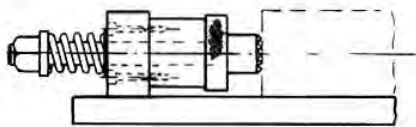
Automatic Swing Clamp



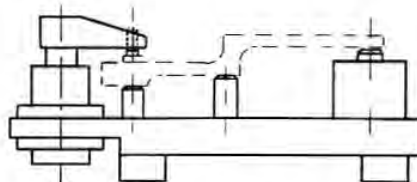
Work Support



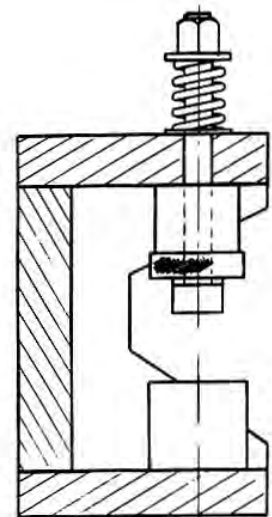
Punching Application



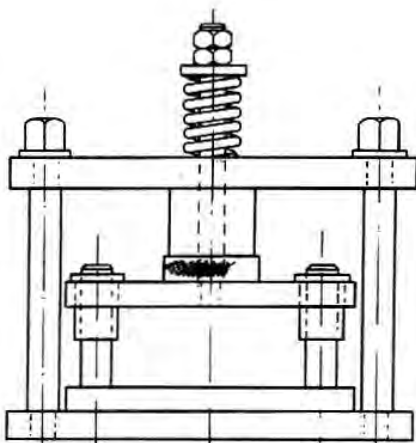
Side Clamping



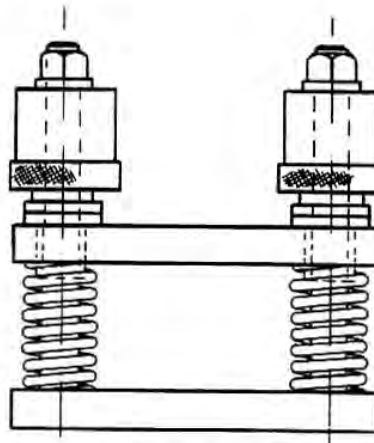
Swing Clamp & Work Support



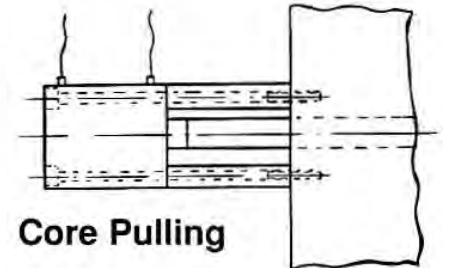
'C' Frame Press



Die Set Tool



Two Pillar Tool



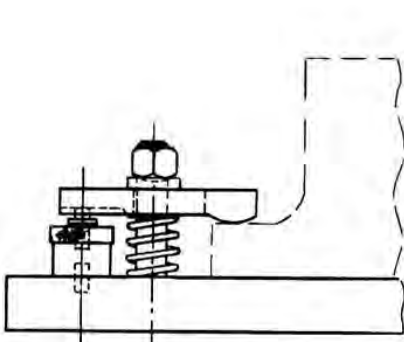
Core Pulling



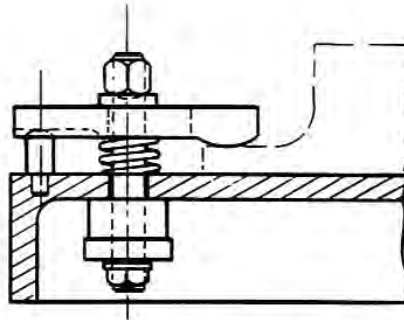
AC Hydraulics Ltd.

UNIT 11, SKETCHLEY MEADOWS, SKETCHLEY MEADOWS IND EST,
HINCKLEY, LEICESTERSHIRE, LE10 3EN
TEL: 01455 611116, FAX: 01455 614282
EMAIL: sales@achydraulics.co.uk WEB: www.achydraulics.co.uk

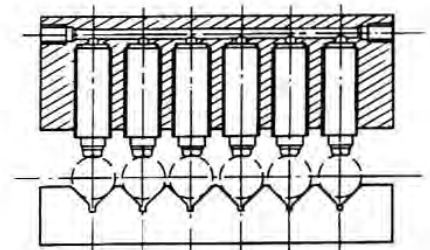
APPLICATIONS



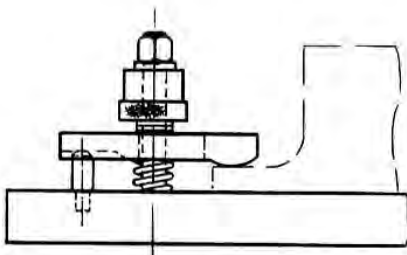
Heel Clamp



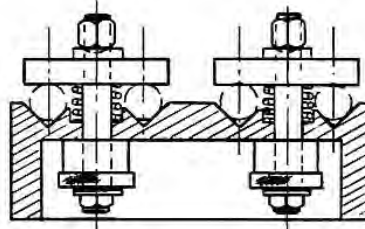
Pull Through
Strap Clamp



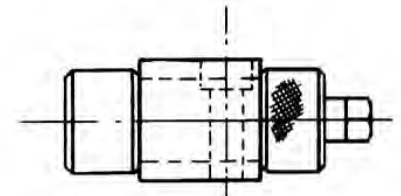
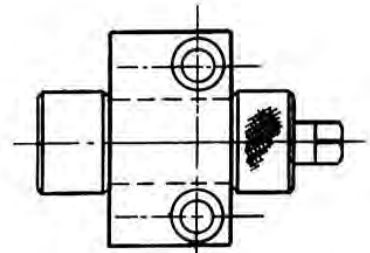
Multi Clamping



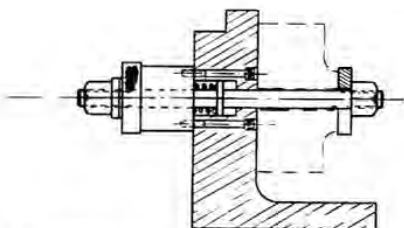
Strap Clamp



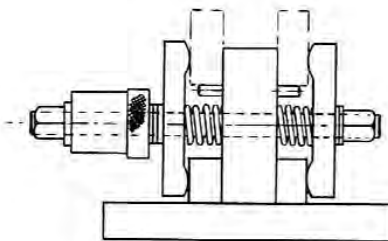
Pull Through
Multi Clamp



Standard Side
Mounting Cylinder



Clamp with a 'C' Washer



Double Pull
Through Clamp



AC Hydraulics Ltd.

UNIT 11, SKETCHLEY MEADOWS, SKETCHLEY MEADOWS IND EST,
HINCKLEY, LEICESTERSHIRE, LE10 3EN

TEL: 01455 611116, FAX: 01455 614282

EMAIL: sales@achydraulics.co.uk WEB: www.achydraulics.co.uk

OPEN RAM MINOR

CODE No. A82101

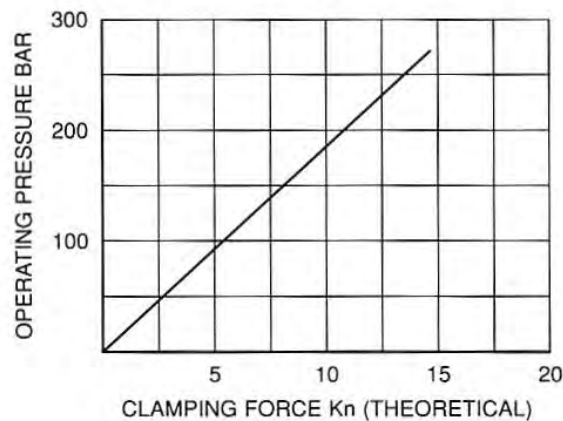


GENERAL SPECIFICATION	IMPERIAL	METRIC
STROKE WITH SPRING	0.25 in	6.35 mm
STROKE WITHOUT SPRING	0.61 in	15.49 mm
EFFECTIVE AREA	0.80 in ²	5.16 cm ²
SWEPT VOLUME WITH SPRING	0.20 in ³	3.28 cm ³
SWEPT VOLUME WITHOUT SPRING	0.49 in ³	8.03 cm ³
WEIGHT WITH SPRING	15 oz	0.43 kg
WEIGHT WITHOUT SPRING	14 oz	0.40 kg

THESE RAMS ARE DESIGNED TO FIT OVER A
0.3125 DIA. OR Ø 8 BOLT OR STUD

MAXIMUM WORKING PRESSURE 275 Bar

THEORETICAL THRUST EQUALS:- OIL PRESSURE
X EFFECTIVE AREA



Subject to change without notice



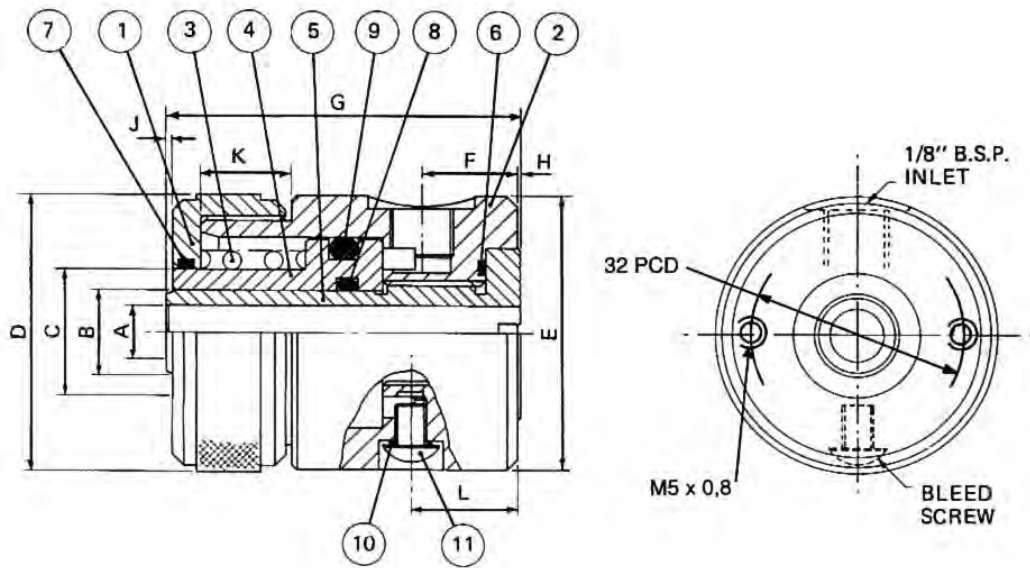
AC Hydraulics Ltd.

UNIT 11, SKETCHLEY MEADOWS, SKETCHLEY MEADOWS IND EST,
HINCKLEY, LEICESTERSHIRE, LE10 3EN

TEL: 01455 611116, FAX: 01455 614282

EMAIL: sales@achydraulics.co.uk WEB: www.achydraulics.co.uk

OPEN RAM MINOR



SCALE: FULL SIZE

SEAL KIT REF A87500

ITEM No.	DESCRIPTION	PART No.
1	GLAND NUT	A82101/1
2	CYLINDER	A82101/2
3	RETURN SPRING	A82101/3
4	PISTON	A82101/4
5	SCREWED ROD	A82101/5
6	ROD 'O' RING (STATIC)	A82101/6
7	ROD 'O' RING (WIPER)	A82101/7
8	PISTON 'O' RING (INTERNAL)	A82101/8
9	PISTON SEAL (EXTERNAL)	A82101/9A
10	SEALING WASHER	A82101/10
11	BLEED SCREW	A82101/11

DIMENSION	IMPERIAL ins.	METRIC mm
DIA. A	0.328	8.33
DIA. B	0.500	12.70
DIA. C	0.750	19.05
DIA. D	1.640	41.66
DIA. E	1.662	41.19
F	0.562	41.27
G	2.062	52.37
H	0.010	0.25
J	0.030	0.76
K	0.531	13.49
L	0.615	15.62

Subject to change without notice



AC Hydraulics Ltd.

UNIT 11, SKETCHLEY MEADOWS, SKETCHLEY MEADOWS IND EST,
HINCKLEY, LEICESTERSHIRE, LE10 3EN

TEL: 01455 611116, FAX: 01455 614282

EMAIL: sales@achydraulics.co.uk WEB: www.achydraulics.co.uk

HOLLOW RAM JUNIOR

CODE No. A82104

CODE No. A82103



FLANGED VERSION

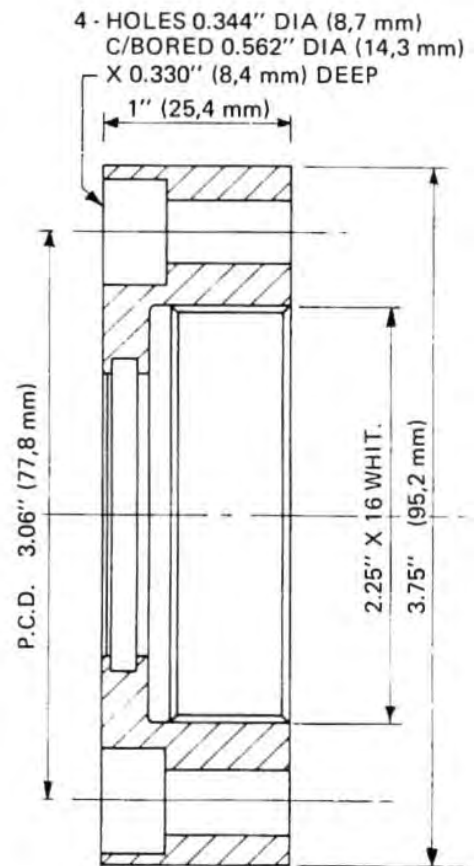
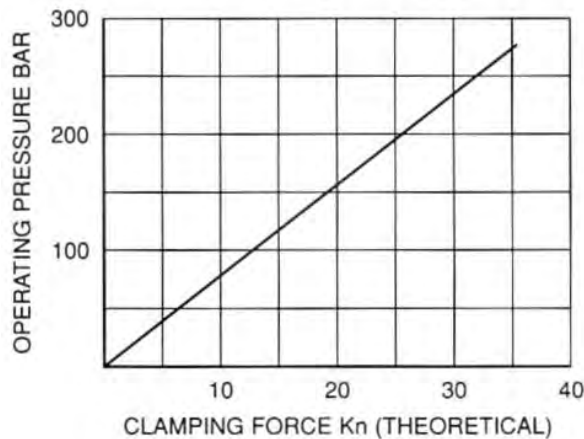


STANDARD VERSION

THESE RAMS ARE DESIGNED TO FIT OVER A 0.625" DIA. OR Ø 16mm. BOLT OR STUD.

GENERAL SPECIFICATION	IMPERIAL	METRIC
STROKE WITH SPRING	0.31 in	7.78 mm
STROKE WITHOUT SPRING	0.71 in	18.03 mm
EFFECTIVE AREA	1.98 ins ²	12.77 cm ²
SWEPT VOLUME WITH SPRING	0.64 ins ³	10.49 cm ³
SWEPT VOLUME WITHOUT SPRING	1.40 ins ³	22.94 cm ³
SPRING		
WEIGHT WITH SPRING	2.0 lbs	0.91 kg
WEIGHT WITHOUT SPRING	1.9 lbs	0.86 kg
MAX WORKING PRESSURE 275 BAR		

THEORETICAL THRUST EQUALS:-
OIL PRESSURE X EFFECTIVE AREA



FLANGE GLAND NUT DETAIL
SCALE:- FULL SIZE

Subject to change without notice



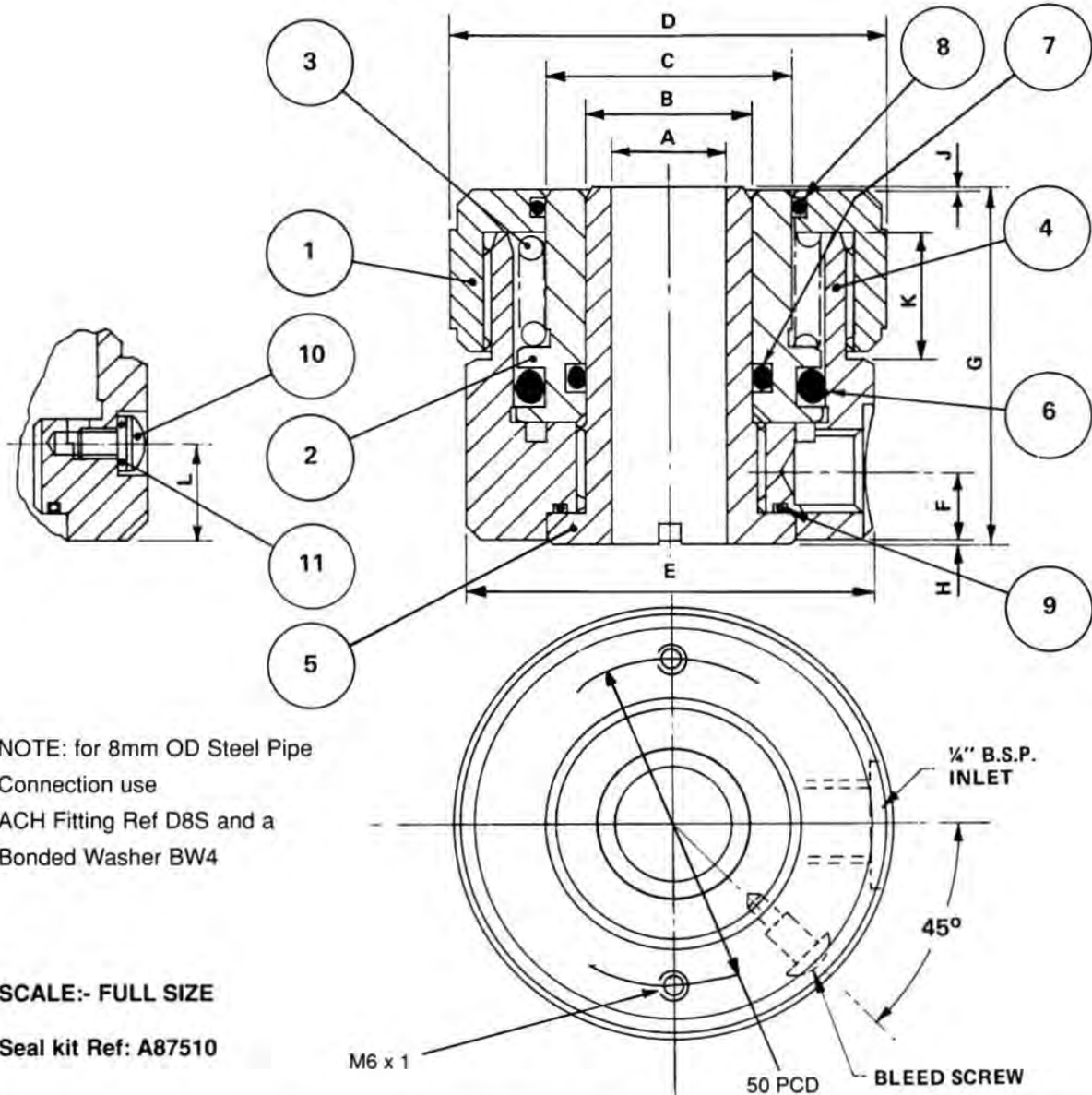
AC Hydraulics Ltd.

UNIT 11, SKETCHLEY MEADOWS, SKETCHLEY MEADOWS IND EST,
HINCKLEY, LEICESTERSHIRE, LE10 3EN

TEL: 01455 611116, FAX: 01455 614282

EMAIL: sales@achydraulics.co.uk WEB: www.achydraulics.co.uk

HOLLOW RAM JUNIOR



NOTE: for 8mm OD Steel Pipe
Connection use
ACH Fitting Ref D8S and a
Bonded Washer BW4

SCALE:- FULL SIZE

Seal kit Ref: A87510

ITEM No.	DESCRIPTION	PART No.
1	GLAND NUT	A82103/1
2	PISTON	A82103/2
3	RETURN SPRING	A82103/3
4	CYLINDER	A82103/4
5	SCREWED ROD	A82103/5
6	PISTON SEAL (EXTERNAL)	A82103/6A
7	PISTON 'O' RING (INTERNAL)	A82103/7
8	ROD 'O' RING (WIPER)	A82103/8
9	ROD 'O' RING (STATIC)	A82103/9
10	BLEED SCREW	A82103/10
11	SEALING WASHER	A82103/11
12	FLANGE GLAND NUT	A82103/12

DIMENSION	IMPERIAL ins.	METRIC mm
DIA. A	0.687	17.45
DIA. B	1.00	25.40
DIA. C	1.50	38.10
DIA. D	2.625	66.67
DIA. E	2.50	63.50
F	0.445	11.30
G	2.187	55.55
H	0.010	0.25
J	0.030	0.76
K	0.775	19.69
L	0.590	14.98
CYL/GLAND NUT THREAD 2.25" x 16 WHIT.		

Subject to change without notice



AC Hydraulics Ltd.

UNIT 11, SKETCHLEY MEADOWS, SKETCHLEY MEADOWS IND EST,
HINCKLEY, LEICESTERSHIRE, LE10 3EN

TEL: 01455 611116, FAX: 01455 614282

EMAIL: sales@achydraulics.co.uk WEB: www.achydraulics.co.uk

HOLLOW RAM SENIOR

CODE No. A82107



FLANGED VERSION

CODE No. A82106

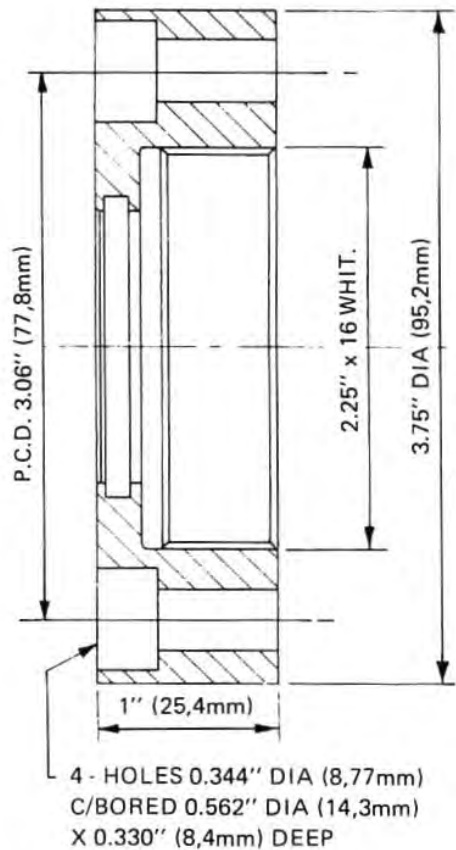
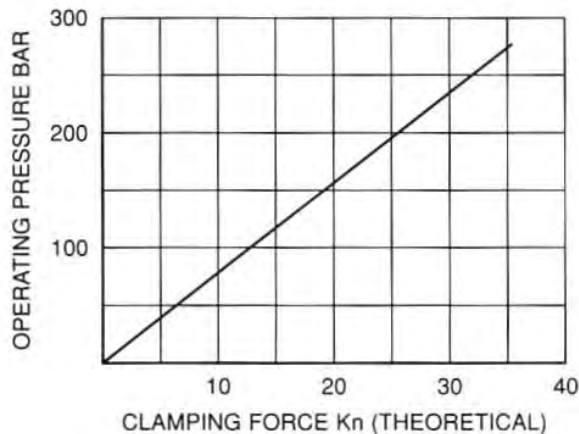


STANDARD VERSION

THESE RAMS ARE DESIGNED TO FIT OVER A 0.625" DIA. OR Ø 16mm. BOLT OR STUD.

GENERAL SPECIFICATION	IMPERIAL	METRIC
STROKE WITH SPRING	0.62 in	15.75 mm
STROKE WITHOUT SPRING	1.23 in	31.24 mm
EFFECTIVE AREA	1.98 ins ²	12.77 cm ²
SWEPT VOLUME WITH SPRING	1.25 ins ³	20.48 cm ³
SWEPT VOLUME WITHOUT SPRING	2.44 ins ³	39.98 cm ³
SPRING		
WEIGHT WITH SPRING	3.3 lbs	1.50 kg
WEIGHT WITHOUT SPRING	3.2 lbs	1.45 kg
MAX WORKING PRESSURE 275 BAR		

THEORETICAL THRUST EQUALS:-
OIL PRESSURE X EFFECTIVE AREA



FLANGE GLAND NUT DETAIL
SCALE:- FULL SIZE

Subject to change without notice



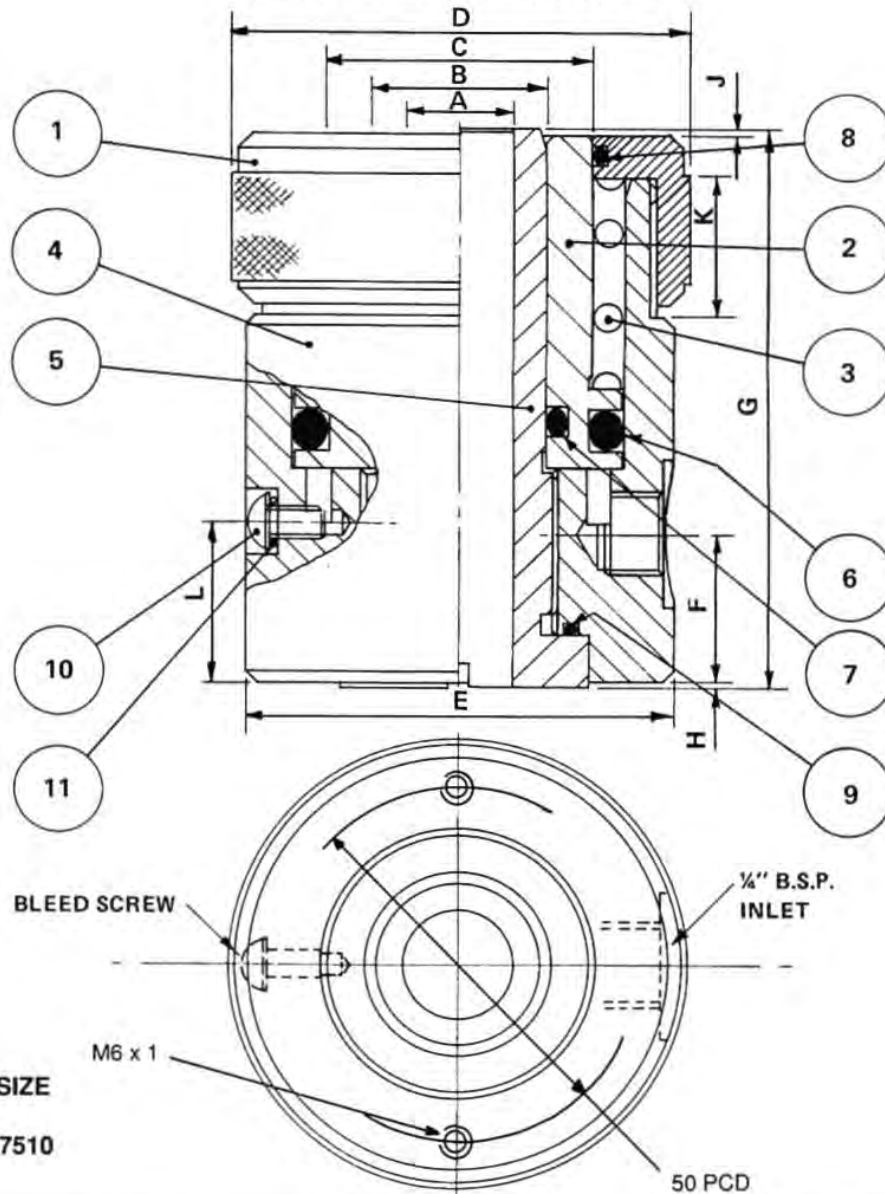
AC Hydraulics Ltd.

UNIT 11, SKETCHLEY MEADOWS, SKETCHLEY MEADOWS IND EST,
HINCKLEY, LEICESTERSHIRE, LE10 3EN

TEL: 01455 611116, FAX: 01455 614282

EMAIL: sales@achydraulics.co.uk WEB: www.achydraulics.co.uk

HOLLOW RAM SENIOR



SCALE:- FULL SIZE

Seal kit Ref: A87510

ITEM No.	DESCRIPTION	PART No.
1	GLAND NUT	A82103/1
2	PISTON	A82106/2
3	RETURN SPRING	A82106/3
4	CYLINDER	A82106/4
5	SCREWED ROD	A82106/5
6	PISTON SEAL (INTERNAL)	A82103/6 A
7	PISTON SEAL (EXTERNAL)	A82103/7
8	ROD 'O' RING (WIPE)	A82103/8
9	ROD 'O' RING (STATIC)	A82103/9
10	BLEED SCREW	A82103/10
11	SEALING WASHER	A82103/11
12	FLANGE GLAND NUT	A82103/12

DIMENSION	IMPERIAL ins.	METRIC mm
DIA. A	0.687	17.45
DIA. B	1.00	25.40
DIA. C	1.50	38.10
DIA. D	2.625	66.67
DIA. E	2.50	63.50
F	0.875	22.23
G	3.250	82.55
H	0.010	0.25
J	0.030	0.76
K	0.775	19.69
L	0.960	24.39
CYL/GLAND NUT THREAD 2.25" x 16 WHIT.		

Subject to change without notice



AC Hydraulics Ltd.

UNIT 11, SKETCHLEY MEADOWS, SKETCHLEY MEADOWS IND EST,
HINCKLEY, LEICESTERSHIRE, LE10 3EN

TEL: 01455 611116, FAX: 01455 614282

EMAIL: sales@achydraulics.co.uk WEB: www.achydraulics.co.uk

FLANGED VERSION
CODE No. A82110

HOLLOW RAM MAJOR

STANDARD VERSION
CODE No. A82109

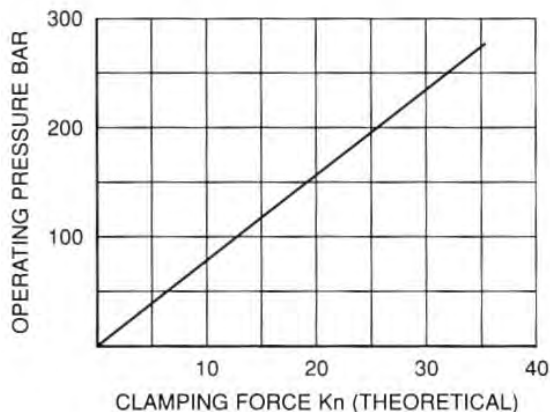


THESE RAMS ARE DESIGNED TO FIT OVER
A 0.625" DIA OR Ø 16 mm BOLT OR STUD

GENERAL SPECIFICATION

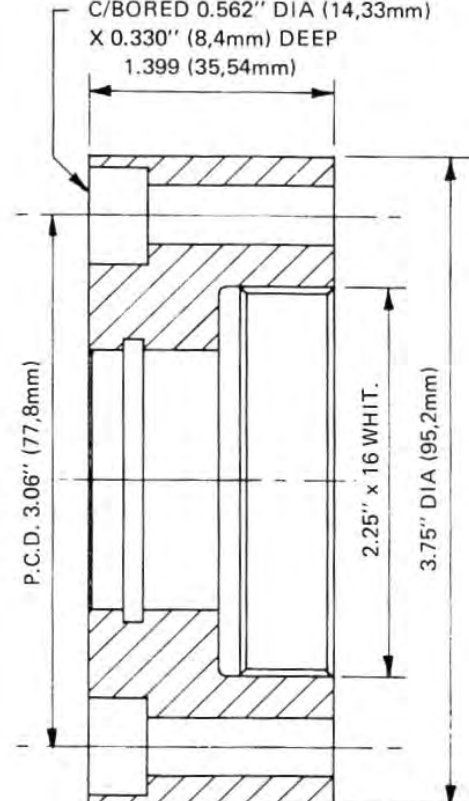
	IMPERIAL	METRIC
STROKE WITH SPRING	1.50 in	38,10 mm
STROKE WITHOUT SPRING	2.50 in	63,50 mm
EFFECTIVE AREA	1.98 in ²	12,77 cm ²
SWEPT VOLUME WITH SPRING	2.97 in ³	48,67 cm ³
SWEPT VOLUME WITHOUT SPRING	4.95 in ³	81,12 cm ³
WEIGHT WITH SPRING	5.75 lbs	2,61 kg
WEIGHT WITHOUT SPRING	5.50 lbs	2,50 kg
MAX WORKING PRESSURE	275 BAR	

THEORETICAL THRUST EQUALS:-
OIL PRESSURE x EFFECTIVE AREA



FLANGED GLAND NUT DETAIL
SCALE: FULL SIZE

4 - HOLES 0.344" DIA (8,77mm)
C/BORED 0.562" DIA (14,33mm)
X 0.330" (8,4mm) DEEP
1.399 (35,54mm)



Subject to change without notice



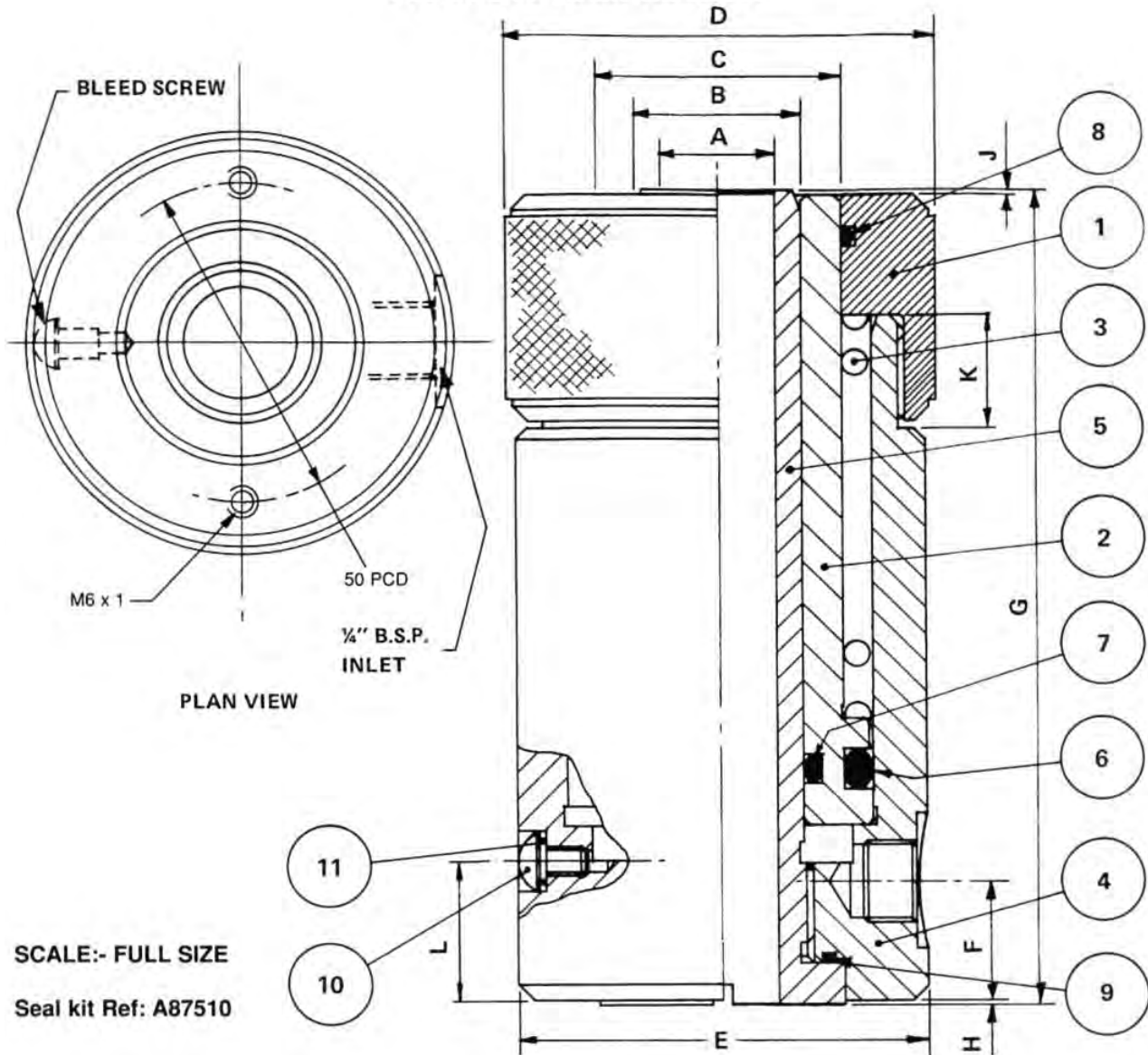
AC Hydraulics Ltd.

UNIT 11, SKETCHLEY MEADOWS, SKETCHLEY MEADOWS IND EST,
HINCKLEY, LEICESTERSHIRE, LE10 3EN

TEL: 01455 611116, FAX: 01455 614282

EMAIL: sales@achydraulics.co.uk WEB: www.achydraulics.co.uk

HOLLOW RAM MAJOR



SCALE:- FULL SIZE

Seal kit Ref: A87510

ITEM No.	DESCRIPTION	PART No.
1	GLAND NUT	A82109/1
2	PISTON	A82109/2
3	RETURN SPRING	A82109/3
4	CYLINDER	A82109/4
5	SCREWED ROD	A82109/5
6	PISTON SEAL (EXT)	A82103/6 A
7	PISTON "O" RING (INT)	A82103/7
8	ROD "O" RING (WIPER)	A82103/8
9	ROD "O" RING (STATIC)	A82103/9
10	BLEED SCREW	A82103/10
11	SEALING WASHER	A82103/11
12	FLANGE GLAND NUT	A82103/12

DIMENSION	IMPERIAL	METRIC
	ins	mm
DIA. A	0.687	17,45
DIA. B	1.00	25,40
DIA. C	1.50	38,10
DIA. D	2.625	66,67
DIA. E	2.50	63,50
F	0.750	19,05
G	5.030	127,76
H	0.010	0,25
J	0.030	0,76
K	0.688	17,48
L	0.867	22,00

CYL/GLAND NUT THREAD 2.25" x 16 WHIT.

Subject to change without notice



AC Hydraulics Ltd.

UNIT 11, SKETCHLEY MEADOWS, SKETCHLEY MEADOWS IND EST,
 HINCKLEY, LEICESTERSHIRE, LE10 3EN
 TEL: 01455 611116, FAX: 01455 614282
 EMAIL: sales@achdraulics.co.uk WEB: www.achdraulics.co.uk

HOLLOW RAM FIVE TON

FLANGED VERSION
 CODE No. A82141



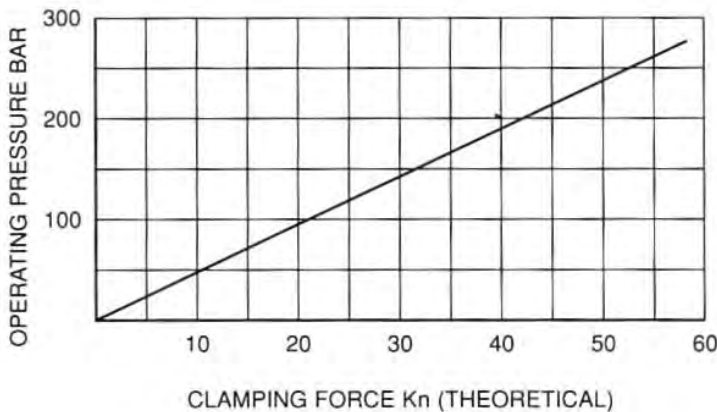
STANDARD VERSION
 CODE No. A82140



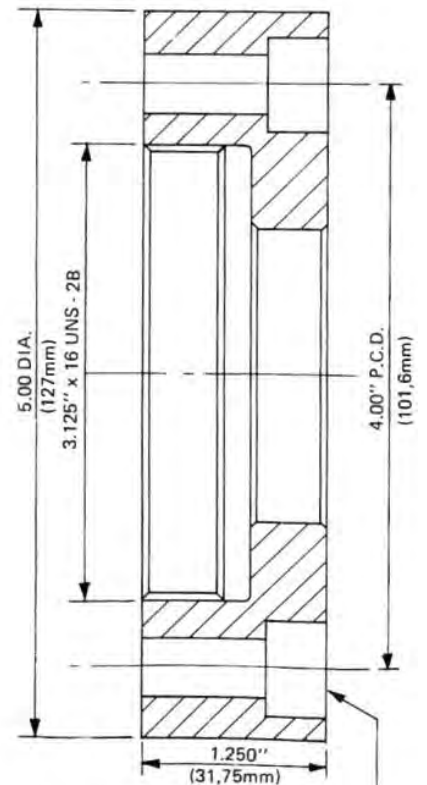
THESE RAMS ARE DESIGNED TO FIT OVER
 1" DIA OR Ø 25 mm BOLTS OR STUDS

GENERAL SPECIFICATION	IMPERIAL	METRIC
STROKE WITH SPRING	.67 ins	17,02 mm
STROKE WITHOUT SPRING	1.25 ins	31,75 mm
EFFECTIVE AREA	3.29 ins ²	21,23 cm ²
SWEPT VOLUME WITH SPRING	2.20 ins ³	33,44 cm ³
SWEPT VOLUME WITHOUT SPRING	4.11 in ³	67,35 cm ³
WEIGHT WITH SPRING	7.0 lbs	3,18 kg
WEIGHT WITHOUT SPRING	6.9 lbs	3,13 kg
MAX WORKING PRESSURE 275 BAR		
FOR WEIGHT OF FLANGED VERSION ADD 3.5 lbs OR 1,59 kg		

THEORETICAL THRUST EQUALS:-
 OIL PRESSURE x EFFECTIVE AREA



FLANGED GLAND NUT DETAIL



4 HOLES EQUISPACED
 DRILLED .406 DIA
 & C/BORED .656 DIA x .410\"/>



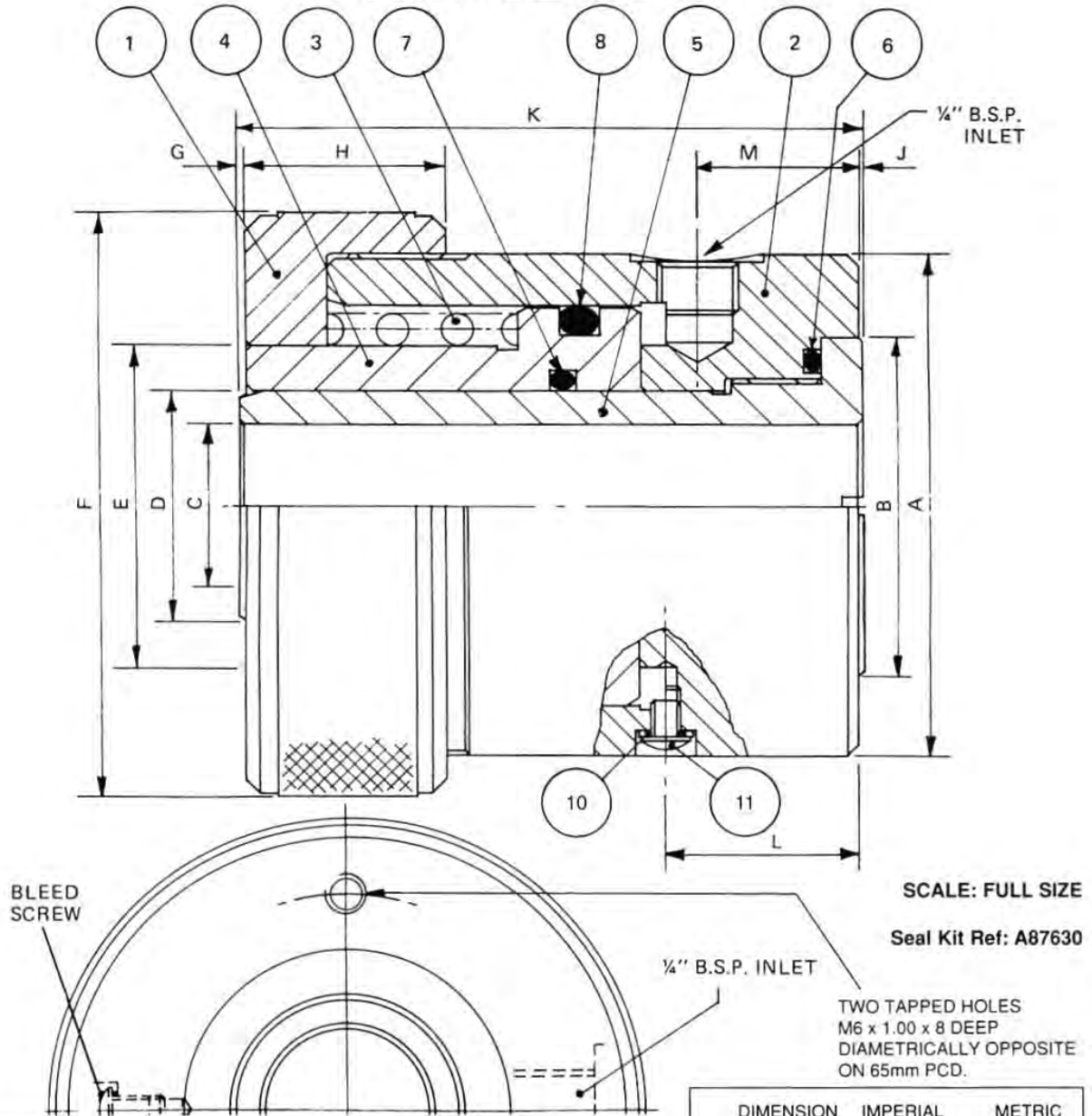
AC Hydraulics Ltd.

UNIT 11, SKETCHLEY MEADOWS, SKETCHLEY MEADOWS IND EST,
HINCKLEY, LEICESTERSHIRE, LE10 3EN

TEL: 01455 611116, FAX: 01455 614282

EMAIL: sales@achydraulics.co.uk WEB: www.achydraulics.co.uk

HOLLOW RAM FIVE TON



ITEM No.	DESCRIPTION	PART No.
1	GLAND NUT	A82140/1
2	CYLINDER	A82140/2
3	RETURN SPRING	A82140/3
4	PISTON	A82140/4
5	SCREWED ROD	A82140/5
6	ROD "O" RING (CYLINDER)	A82140/6
7	ROD "O" RING (PISTON)	A82140/7
8	"O" RING (PISTON/CYLINDER)	A82140/8
10	SEALING WASHER	A82103/10
11	BLEED SCREW	A82103/11
	FLANGE	A82140/12

DIMENSION	IMPERIAL	METRIC
	ins	mm
DIA. A	3.125	79,38
DIA. B	2.125	54,00
DIA. C	1.015	25,78
DIA. D	1.437	36,50
DIA. E	2.00	50,80
DIA. F	3.625	92,08
G	0.030	0,76
H	1.25	31,75
J	0.010	0,25
K	3.852	97,76
L	1.201	30,51
M	1.00	25,40

Subject to change without notice



AC Hydraulics Ltd.

UNIT 11, SKETCHLEY MEADOWS, SKETCHLEY MEADOWS IND EST,
HINCKLEY, LEICESTERSHIRE, LE10 3EN

TEL: 01455 611116, FAX: 01455 614282

EMAIL: sales@achydraulics.co.uk WEB: www.achydraulics.co.uk

FLANGED VERSION
CODE No. A82147



HOLLOW RAM

STANDARD VERSION
CODE No. A82146

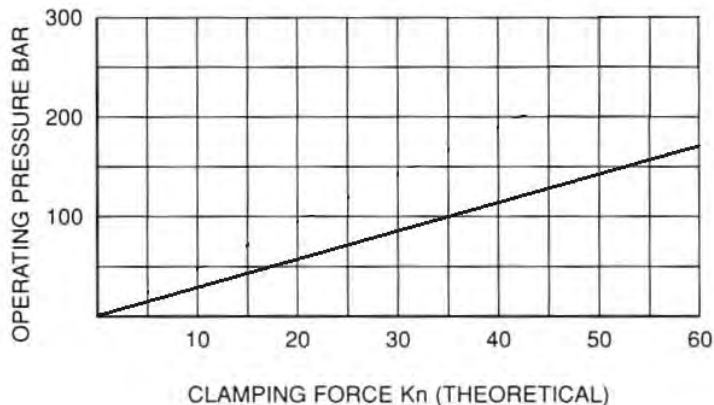


**ALL THESE RAMS ARE DESIGNED TO FIT OVER
1.181" DIA OR Ø 30 mm BOLTS OR STUDS**

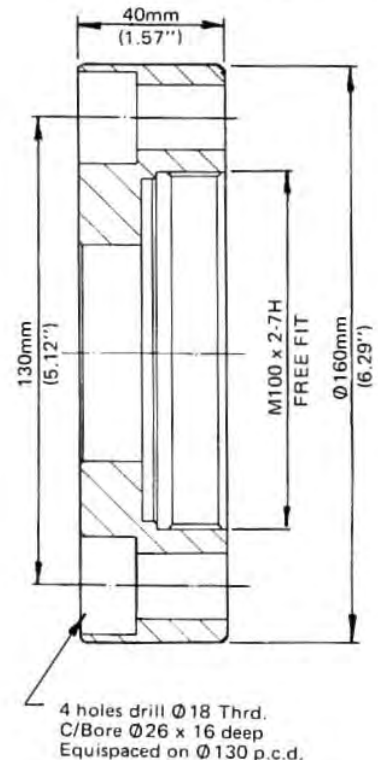
GENERAL SPECIFICATION	IMPERIAL	METRIC
STROKE WITH SPRING	.630 ins	16 mm
STROKE WITHOUT SPRING	2.362 ins	60 mm
EFFECTIVE AREA	5.3 ins ²	34,36 cm ²
SWEPT VOLUME WITH SPRING	3.34 ins ³	54,97 cm ³
SWEPT VOLUME WITHOUT SPRING	12.6 in ³	206,2 cm ³
WEIGHT WITH SPRING	19 lbs	8,65 kg
WEIGHT WITHOUT SPRING	18.62 lbs	8,48 kg
WORKING PRESSURE	275 BAR	

FOR WEIGHT OF FLANGED VERSION ADD 3.19 lbs OR 1,45 kg

**THEORETICAL THRUST EQUALS:-
OIL PRESSURE x EFFECTIVE AREA**



FLANGED GLAND NUT DETAIL
SCALE: 1/2 SIZE



Subject to change without notice



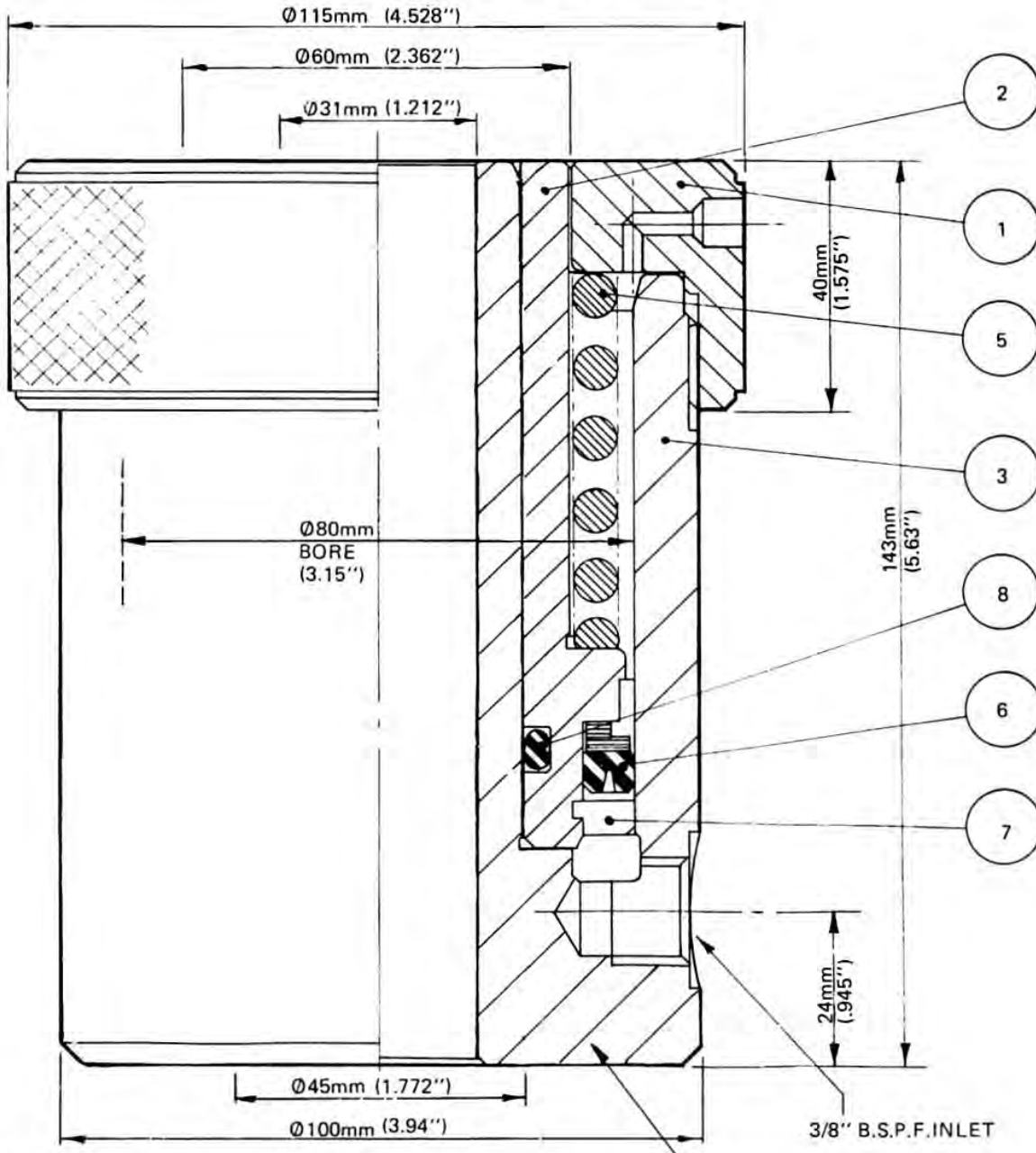
AC Hydraulics Ltd.

UNIT 11, SKETCHLEY MEADOWS, SKETCHLEY MEADOWS IND EST,
HINCKLEY, LEICESTERSHIRE, LE10 3EN

TEL: 01455 611116, FAX: 01455 614282

EMAIL: sales@achydraulics.co.uk WEB: www.achydraulics.co.uk

HOLLOW RAM



ITEM No.	DESCRIPTION	PART No.
1	GLAND NUT	A82146/1
2	PISTON	A82146/2
3	CYLINDER	A82146/3
5	RETURN SPRING	A82146/4
6	PISTON SEAL	A82146/5
7	KEEPER RING	A82146/6
8	"O" RING PISTON (ROD)	A82146/7
	FLANGE	A82146/12

2 TAPPED HOLES IN REAR FACE
M6 x 1 x 8mm DEEP
DIAMETRICALLY OPPOSITE 90°
TO PORT, ON 70mm PCD.

SCALE: FULL SIZE

Seal Kit Ref: A87650

Subject to change without notice



AC Hydraulics Ltd.

UNIT 11, SKETCHLEY MEADOWS, SKETCHLEY MEADOWS IND EST,
HINCKLEY, LEICESTERSHIRE, LE10 3EN

TEL: 01455 611116, FAX: 01455 614282

EMAIL: sales@achydraulics.co.uk WEB: www.achydraulics.co.uk

FLANGED VERSION
CODE No. A82143

HOLLOW RAM SEVEN TON

STANDARD VERSION
CODE No. A82142



THESE RAMS ARE DESIGNED TO FIT OVER
1" DIA. OR Ø 25 mm BOLTS OR STUDS

GENERAL SPECIFICATION

STROKE WITH SPRING
STROKE WITHOUT SPRING
EFFECTIVE AREA
SWEPT VOLUME WITH SPRING
SWEPT VOLUME WITHOUT SPRING
WEIGHT WITH SPRING
WEIGHT WITHOUT SPRING
MAX WORKING PRESSURE 275 BAR

IMPERIAL

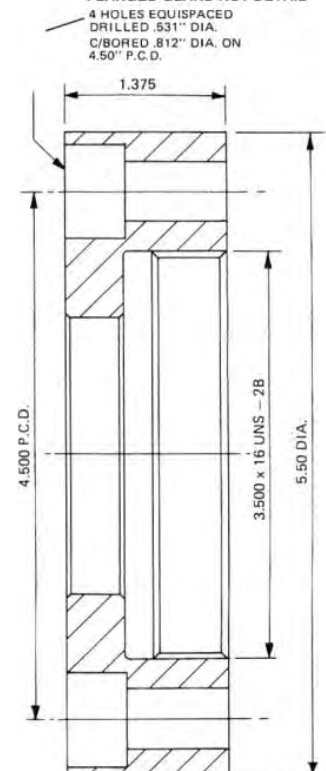
.53 ins
1.19 ins
4.87 ins²
2.58 ins³
5.76 in³
8.5 lbs
8.25 lbs

METRIC

13,46 mm
29,97 mm
31,42 cm²
42,29 cm³
94,39 cm³
3,86 kg
3,74 kg

**THEORETICAL THRUST EQUALS:-
OIL PRESSURE x EFFECTIVE AREA**

FLANGED GLAND NUT DETAIL



Subject to change without notice



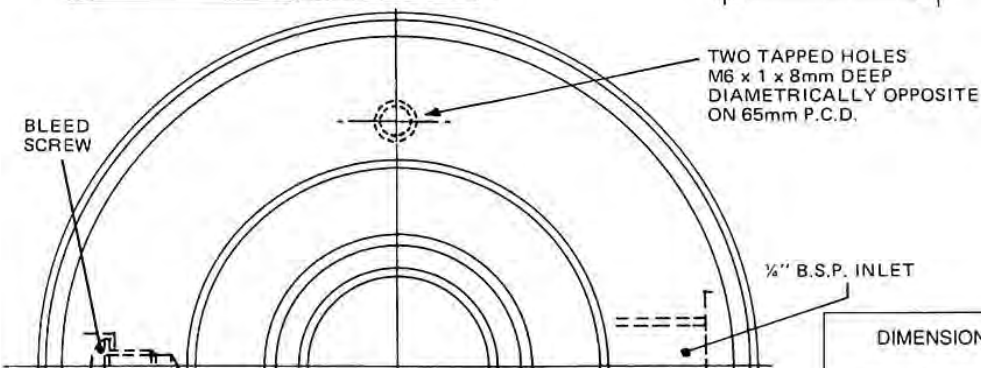
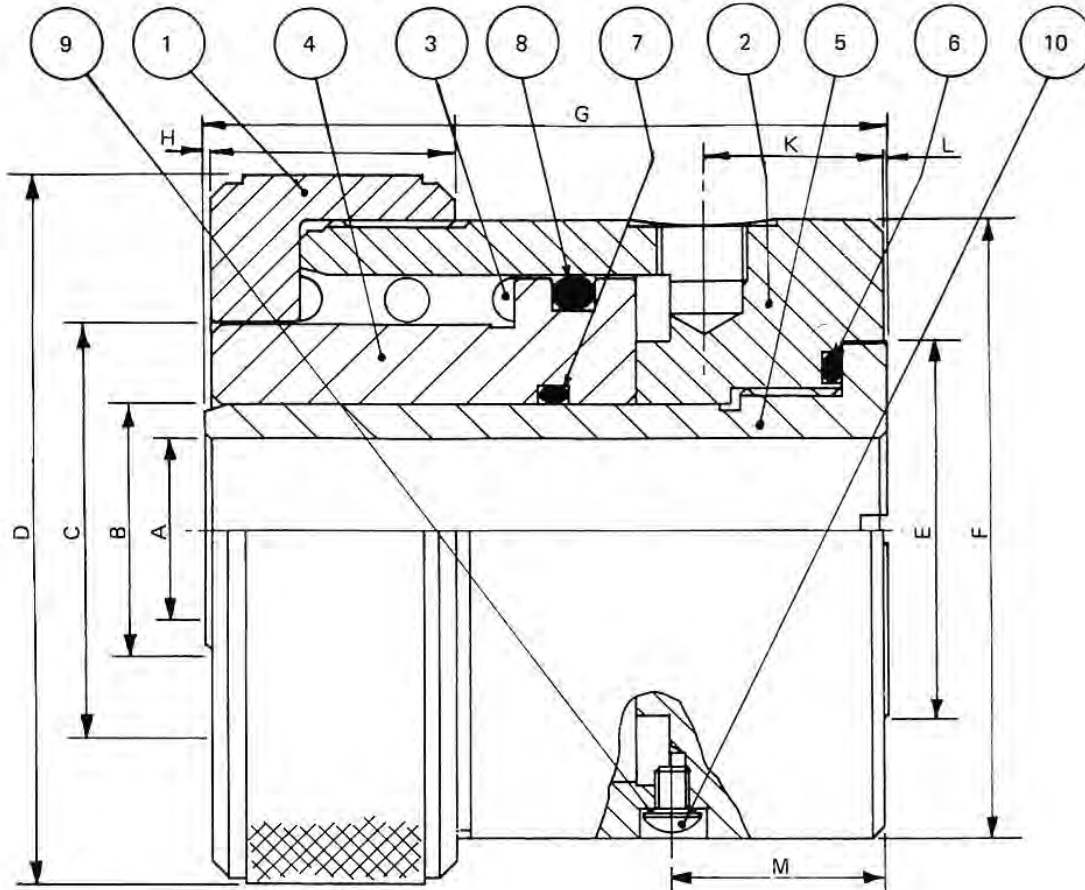
AC Hydraulics Ltd.

UNIT 11, SKETCHLEY MEADOWS, SKETCHLEY MEADOWS IND EST,
HINCKLEY, LEICESTERSHIRE, LE10 3EN

TEL: 01455 611116, FAX: 01455 614282

EMAIL: sales@achydraulics.co.uk WEB: www.achydraulics.co.uk

HOLLOW RAM SEVEN TON



Seal Kit Ref: A87640

ITEM No.	DESCRIPTION	PART No.
1	GLAND NUT	A82142/1
2	CYLINDER	A82142/2
3	RETURN SPRING	A82142/3
4	PISTON	A82142/4
5	SCREWED ROD	A82142/5
6	"O" RING	A82142/6
7	ROD "O" RING	A82142/7
8	PISTON SEAL	A82142/8
9	DOWTY WASHER	A82103/10
10	BLEED SCREW	A82103/11
	FLANGE	A82142/12

DIMENSION	IMPERIAL	METRIC
	ins	mm
DIA. A	1.015	25,78
DIA. B	1.437	36,5
DIA. C	2.375	60,33
DIA. D	4.000	101,6
DIA. E	2.125	53,98
DIA. F	3.500	88,9
G	3.790	96,19
H	0.030	0,762
J	1.375	34,925
K	1.00	25,40
L	0.01	0,254
M	1.20	30,48

Subject to change without notice



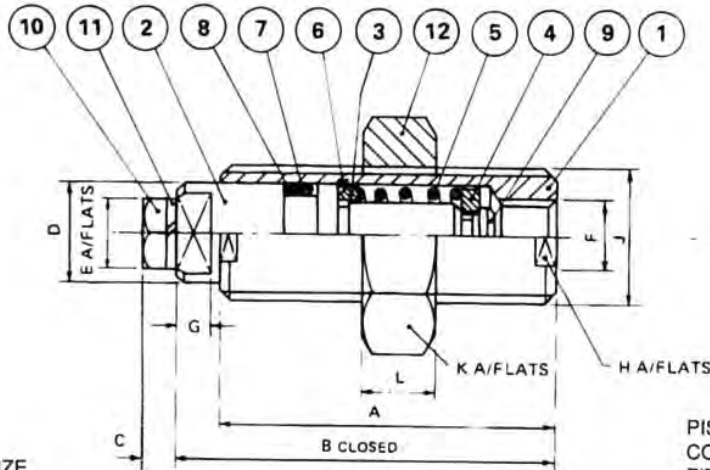
AC Hydraulics Ltd.

UNIT 11, SKETCHLEY MEADOWS, SKETCHLEY MEADOWS IND EST,
HINCKLEY, LEICESTERSHIRE, LE10 3EN

TEL: 01455 611116, FAX: 01455 614282

EMAIL: sales@achydraulics.co.uk WEB: www.achydraulics.co.uk

THREADED RAM MINI



SCALE:- FULL SIZE

PISTON ROD TAPPED M6 x 1 10 DEEP TO SUIT CONTACT BOLT WHICH CAN BE REMOVED TO FIT ALTERNATIVE ATTACHMENTS

ITEM No.	DESCRIPTION	PART No.
1	CYLINDER	A82131 / 1*
2	PISTON ROD	A82131 / 2
3	RETAINER RING	A82131 / 3
4	WASHER	A82131 / 4
5	SPRING	A82131 / 5
6	CIRCLIP	A82131 / 6
7	'O' RING	A82131 / 7
8	ANTI EXTRUSION RING	A82131 / 8
9	RETAINING SCREW	A82131 / 9
10	THRUST SCREW	A82131 / 10
11	SPRING WASHER	A82131 / 11
12	LOCK NUT	A82131 / 12*

* WHEN ORDERING STATE THREAD SIZE

DIMENSION	IMPERIAL ins	METRIC mm
A	1.87	47,5
B	2.13	54
C	0.20	5
DIA. D	0.55	14
E	0.37	9.5
F	½ B.S.P.	G½
G	0.20	5
H	0.63	16
J	UNF	¾ x 16
J	METRIC COARSE	—
J	METRIC FINE	M20 x 2.5
K	UNF	1,125
K	METRIC COARSE	—
K	METRIC FINE	30
L	UNF	0.413
L	METRIC COARSE	—
L	METRIC FINE	9
		8.5

GENERAL SPECIFICATION	IMPERIAL	METRIC
STROKE	0.20 ins	5,00 mm
EFFECTIVE AREA	0.24 ins ²	1,53 cm ²
SWEPT VOLUME	0.05 ins ³	0,78 cm ³
WEIGHT	0.38 lbs	0,17 kg

THEORETICAL THRUST EQUALS
OIL PRESSURE x EFFECTIVE AREA

MAX WORKING PRESSURE 105 BAR

CAN BE SUPPLIED WITH RING NUT IN
PLACE OF HEX. LOCK NUT IF REQUIRED

CODE No. A82132 U.N.F.

A82130 METRIC COARSE

(Preferred Size) - A82131 METRIC FINE

Seal Kit Ref: A87590



Subject to change without notice



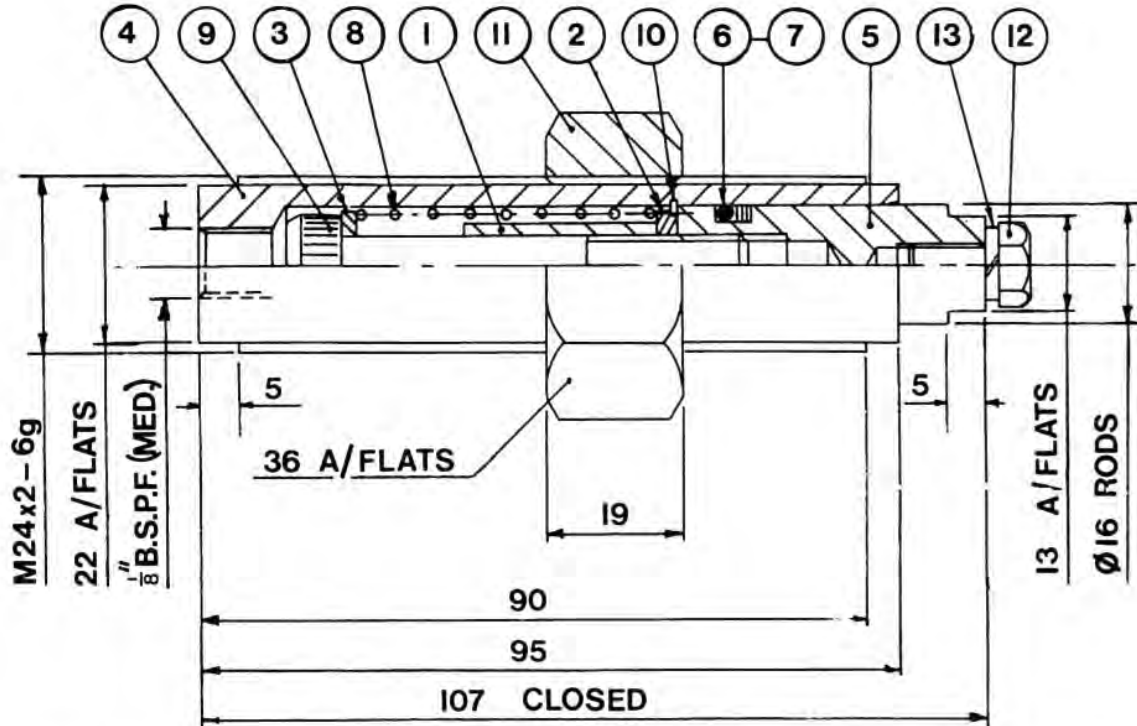
AC Hydraulics Ltd.

UNIT 11, SKETCHLEY MEADOWS, SKETCHLEY MEADOWS IND EST,
HINCKLEY, LEICESTERSHIRE, LE10 3EN

TEL: 01455 611116, FAX: 01455 614282

EMAIL: sales@achydraulics.co.uk WEB: www.achydraulics.co.uk

THREADED RAM MINOR



MAX WORKING PRESSURE 105 BAR

ITEM No.	DESCRIPTION	PART No.
1	SPACER	A82135 / 1
2	STEPPED WASHER	A82135 / 2
3	MODIFIED 8mm WASHER	A82135 / 3
4	CYLINDER	A82135 / 4
5	PISTON ROD	A82135 / 5
6	'O' RING	A82135 / 6
7	ANTI EXTRUSION RING	A82135 / 7
8	SPRING	A82135 / 8
9	SOC. CAP HEAD BOLT	A82135 / 9
10	SPIROLOX RETAINING RING	A82135 / 10
11	FULL NUT (METRIC FINE)	A82135 / 11
12	HEX. HD. SCREW	A82135 / 12
13	SPRING WASHER	A82135 / 13
14	LOCK NUT	A82135/14

PISTON ROD TAPPED M 6 x 1
10 DEEP TO SUIT CONTACT BOLT
WHICH CAN BE REMOVED TO FIT
ALTERNATIVE ATTACHMENTS.
CAN BE SUPPLIED WITH RING NUT
IN PLACE OF HEX. LOCK NUT IF
REQUIRED.



GENERAL SPECIFICATION	IMPERIAL	METRIC
STROKE	0.59 ins	15 mm
EFFECTIVE AREA	0.31 ins ²	2 cm ²
SWEPT VOLUME	0.18 ins ³	3 cm ³
WEIGHT	0.89 lbs	0,4 kg

THEORETICAL THRUST EQUALS
OIL PRESSURE x EFFECTIVE AREA

Seal Kit Ref: A87620

CODE No. A82135

Subject to change without notice



AC Hydraulics Ltd.

UNIT 11, SKETCHLEY MEADOWS, SKETCHLEY MEADOWS IND EST,
HINCKLEY, LEICESTERSHIRE, LE10 3EN
TEL: 01455 611116, FAX: 01455 614282
EMAIL: sales@achydraulics.co.uk WEB: www.achydraulics.co.uk

SCREWED BODY RAM CODE No. A82152



**THEORETICAL THRUST EQUALS:-
OIL PRESSURE x EFFECTIVE AREA**

GENERAL SPECIFICATION	IMPERIAL	METRIC
STROKE WITH SPRING	0.394 in	10mm
STROKE WITHOUT SPRING	1.181 in	30mm
EFFECTIVE AREA	3.04 in ²	19,6cm ²
SWEPT VOLUME WITH SPRING	1.20 in ³	19,6cm ³
SWEPT VOLUME WITHOUT SPRING	3.59 in ³	58,8cm ³
WEIGHT WITH SPRING	6.875 lbs	3,12kg

MAX WORKING PRESSURE 275 BAR

Subject to change without notice



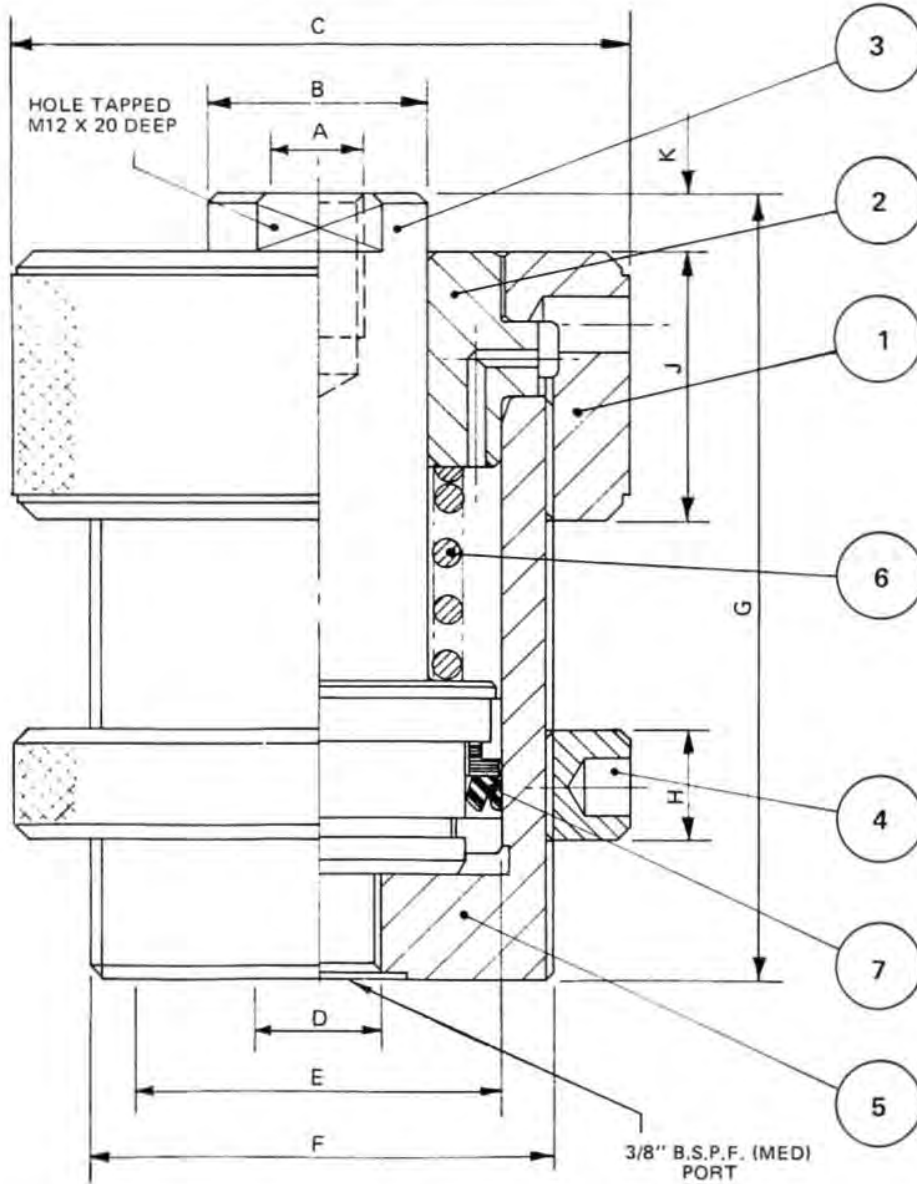
AC Hydraulics Ltd.

UNIT 11, SKETCHLEY MEADOWS, SKETCHLEY MEADOWS IND EST,
HINCKLEY, LEICESTERSHIRE, LE10 3EN

TEL: 01455 611116, FAX: 01455 614282

EMAIL: sales@achydraulics.co.uk WEB: www.achydraulics.co.uk

SCREWED BODY RAM



DIMENSION	IMPERIAL INS.	METRIC MM
DIA. A	0.47	12,0
DIA. B	1.18	30,0
DIA. C	3.35	85,0
DIA. D	0.375	9,52
DIA. E	1.97	50,0
DIA. F	2.52	64,0
G	4.33	110,0
H	0.59	15,0
J	1.5	38,0
K	0.33	8.5

ITEM No.	DESCRIPTION	PART NO.
1	GLAND NUT	A82152 / 1
2	GLAND BUSH	A82152 / 2
3	PISTON	A82152 / 3
4	RING NUT	A82152 / 4
5	CYLINDER	A82152 / 5
6	RETURN SPRING	A82152 / 6
7	PISTON SEAL	A82152 / 7

Seal Kit Ref: A87670

Subject to change without notice

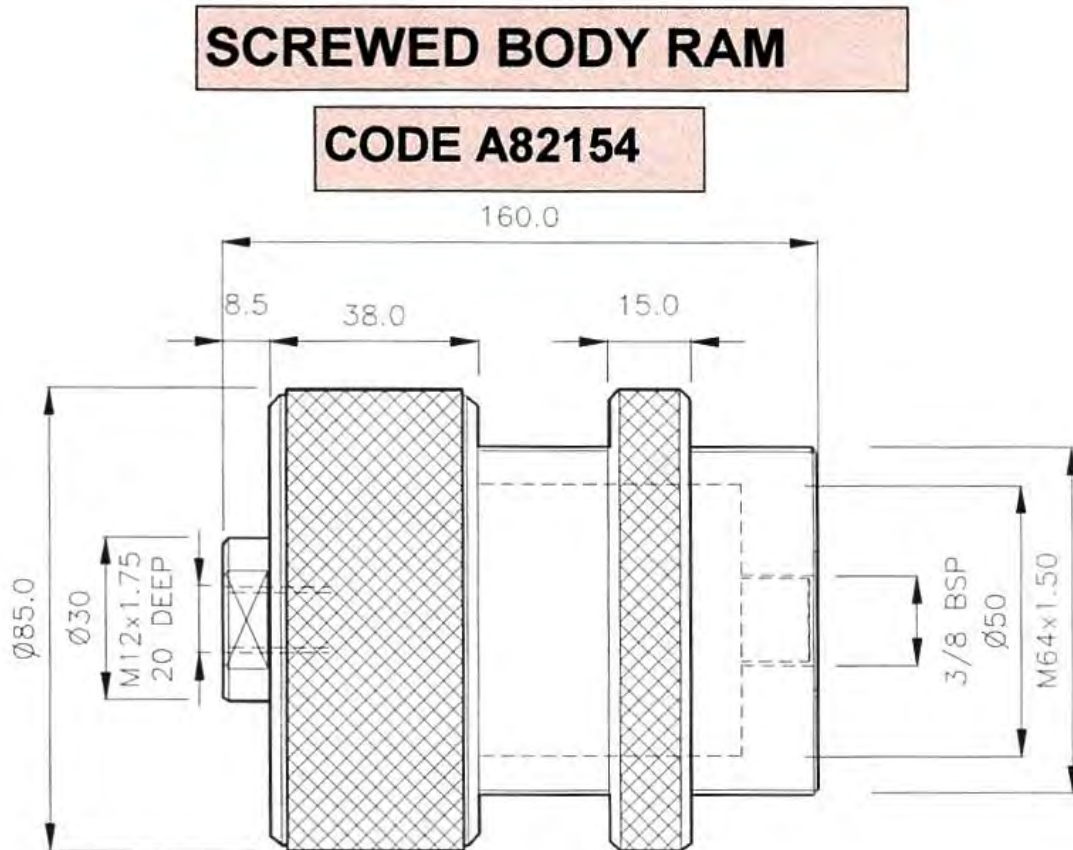


AC Hydraulics Ltd.

UNIT 11, SKETCHLEY MEADOWS, SKETCHLEY MEADOWS IND EST,
HINCKLEY, LEICESTERSHIRE, LE10 3EN

TEL: 01455 611116, FAX: 01455 614282

EMAIL: sales@achydraulics.co.uk WEB: www.achydraulics.co.uk



GENERAL SPECIFICATION	PART NO A82154
STROKE WITH SPRING	30.00 mm
STROKE WITHOUT SPRING	80.00 mm
EFFECTIVE AREA	19.6 sq cm
SWEPT VOLUME WITH SPRING	58.8 c cm
SWEPT VOLUME WITHOUT SPRING	157 c cm
WEIGHT	4.77 kg
MAX OPERATING PRESSURE	275 BAR
SEAL KIT PART NO.	A87670

Subject to change without notice



AC Hydraulics Ltd.

UNIT 11, SKETCHLEY MEADOWS, SKETCHLEY MEADOWS IND EST,
HINCKLEY, LEICESTERSHIRE, LE10 3EN
TEL: 01455 611116, FAX: 01455 614282
EMAIL: sales@achydraulics.co.uk WEB: www.achydraulics.co.uk

SCREWED BODY RAM

CODE No. A82155



THEORETICAL THRUST EQUALS:-
OIL PRESSURE x EFFECTIVE AREA

GENERAL SPECIFICATION	IMPERIAL	METRIC
STROKE WITH SPRING	0.78 ins	20 mm
STROKE WITHOUT SPRING	1.96 ins	50 mm
EFFECTIVE AREA	7.78 ins ²	50,2 cm ²
SWEPT VOLUME WITH SPRING	6.13 ins ³	100,4 cm ³
SWEPT VOLUME WITHOUT SPRING	15.32 ins ³	251 cm ³
WEIGHT	15.5 lbs	7,03 kg

MAX WORKING PRESSURE 275 BAR

Subject to change without notice



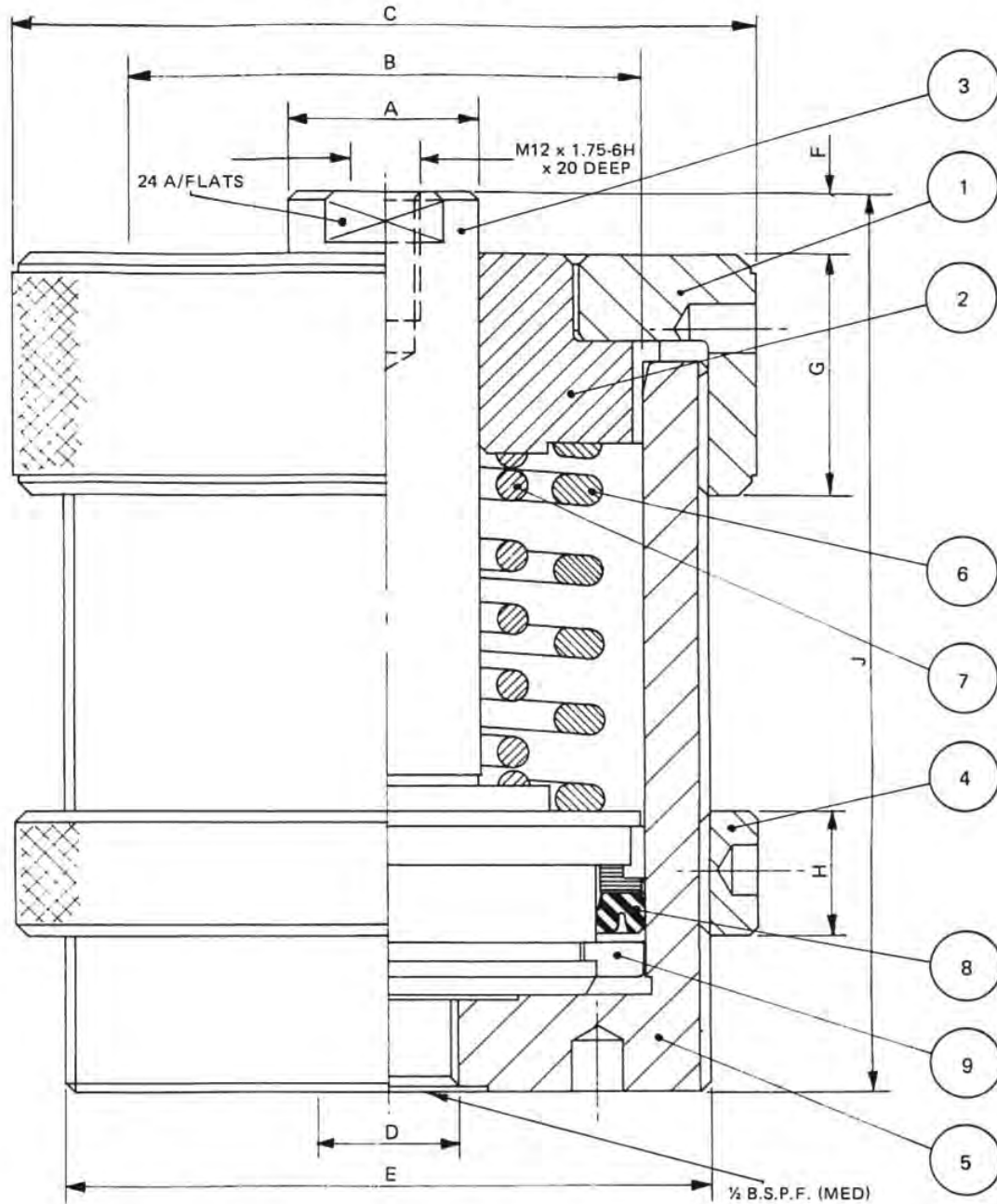
AC Hydraulics Ltd.

UNIT 11, SKETCHLEY MEADOWS, SKETCHLEY MEADOWS IND EST,
HINCKLEY, LEICESTERSHIRE, LE10 3EN

TEL: 01455 611116, FAX: 01455 614282

EMAIL: sales@achydraulics.co.uk WEB: www.achydraulics.co.uk

SCREWED BODY RAM



ITEM No.	DESCRIPTION	PART NO.
1	GLAND NUT	A82155 / 1
2	GLAND BUSH	A82155 / 2
3	PISTON	A82155 / 3
4	RING NUT	A82155 / 4
5	CYLINDER ASSY	A82155 / 5
6	RETURN SPRING	A82155 / 6
7	RETURN SPRING	A82155 / 7
8	PISTON SEAL	A82155 / 8
9	KEEPER RING	A82155 / 9

DIMENSIONS	IMPERIAL INS.	METRIC MM
DIA. A	1.18	30
DIA. B	3.15	80
DIA. C	4.53	115
DIA. D	1.18	30
DIA. E		M100x2
F	0.39	10
G	1.50	38
H	0.79	20
J	5.63	143

Subject to change without notice



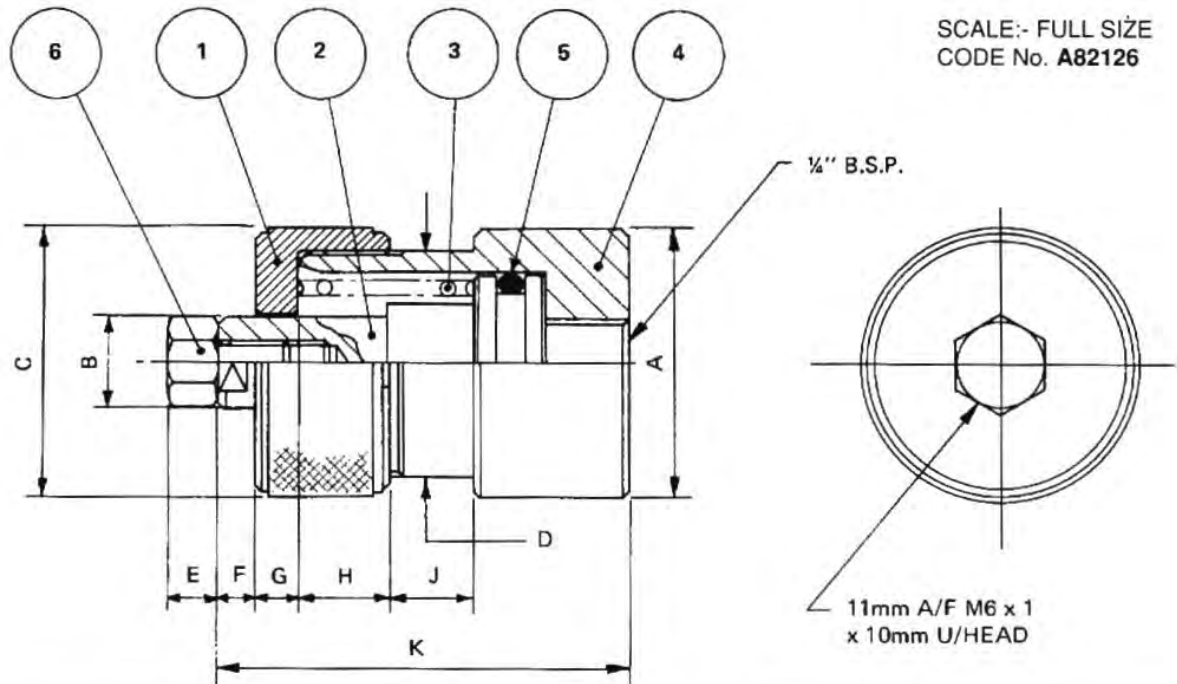
AC Hydraulics Ltd.

UNIT 11, SKETCHLEY MEADOWS, SKETCHLEY MEADOWS IND EST,
HINCKLEY, LEICESTERSHIRE, LE10 3EN

TEL: 01455 611116, FAX: 01455 614282

EMAIL: sales@achydraulics.co.uk WEB: www.achydraulics.co.uk

MINOR RAM (SHORT)



SCALE:- FULL SIZE
CODE No. A82126

ITEM No.	DESCRIPTION	PART No.
1	GLAND NUT	A82126/1
2	PISTON	A82126/2
3	RETURN SPRING	A82126/3
4	CYLINDER	A82126/4
5	PISTON "O" RING	A82126/5
6	CONTACT BOLT	A82126/6

DIMENSION	IMPERIAL ins	METRIC mm
A DIA	1.50	38
B DIA	0.51	13
C DIA	1.50	38
D DIA	1.26	32
E	0.27	7
F	0.20	5
G	0.24	6
H	0.51	13
J	0.43	11
K	2.28	58
BODY CAP THREAD M32 x 1.5		

GENERAL SPECIFICATION	IMPERIAL	METRIC
STROKE	.49 ins	12.5 mm
EFFECTIVE AREA	.82 ins ²	5.31 cm ²
SWEPT VOLUME	.41 ins ³	6.64 cm ³
WEIGHT	13 oz.	0.36 kg

**THEORETICAL THRUST EQUALS:-
OIL PRESSURE x EFFECTIVE AREA**

MAX WORKING PRESSURE 275 BAR



Subject to change without notice



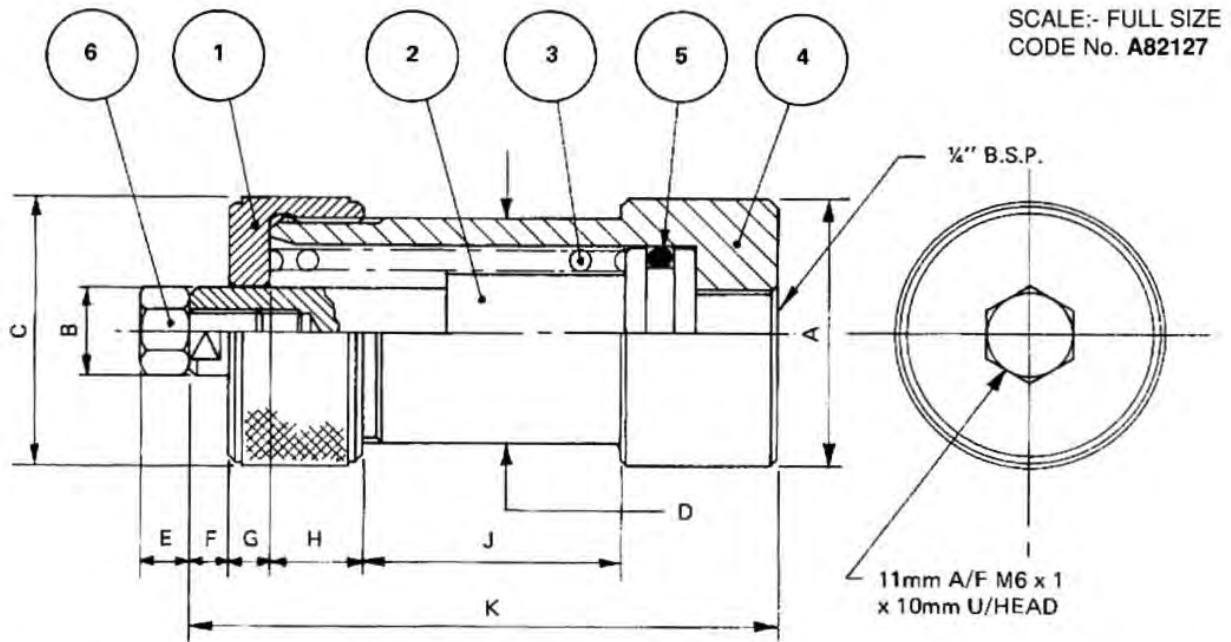
AC Hydraulics Ltd.

UNIT 11, SKETCHLEY MEADOWS, SKETCHLEY MEADOWS IND EST,
HINCKLEY, LEICESTERSHIRE, LE10 3EN

TEL: 01455 611116, FAX: 01455 614282

EMAIL: sales@achydraulics.co.uk WEB: www.achydraulics.co.uk

MINOR RAM (LONG)



SCALE:- FULL SIZE
CODE No. A82127

ITEM No.	DESCRIPTION	PART No.
1	GLAND NUT	A82127/1
2	PISTON	A82127/2
3	RETURN SPRING	A82127/3
4	CYLINDER	A82127/4
5	PISTON "O" RING	A82127/5
6	CONTACT BOLT	A82127/6

DIMENSION	IMPERIAL	METRIC
	ins	mm
A DIA	1.50	38
B DIA	0.51	13
C DIA	1.50	38
D DIA	1.26	32
E	0.27	7
F	0.20	5
G	0.24	6
H	0.51	13
J	1.46	37
K	3.27	83
BODY CAP THREAD M32 x 1,5		

GENERAL SPECIFICATION	IMPERIAL	METRIC
STROKE	.98 ins	25 mm
EFFECTIVE AREA	.82 ins ²	5.31 cm ²
SWEPT VOLUME	.81 ins ³	3.28 cm ³
WEIGHT	1.0 lb	0.45 kg

**THEORETICAL THRUST EQUALS:-
OIL PRESSURE x EFFECTIVE AREA**

MAX WORKING PRESSURE 275 BAR



Subject to change without notice



AC Hydraulics Ltd.

UNIT 11, SKETCHLEY MEADOWS, SKETCHLEY MEADOWS IND EST,
HINCKLEY, LEICESTERSHIRE, LE10 3EN

TEL: 01455 611116, FAX: 01455 614282

EMAIL: sales@achydraulics.co.uk WEB: www.achydraulics.co.uk

CODE No. A82120

RAM HEAD

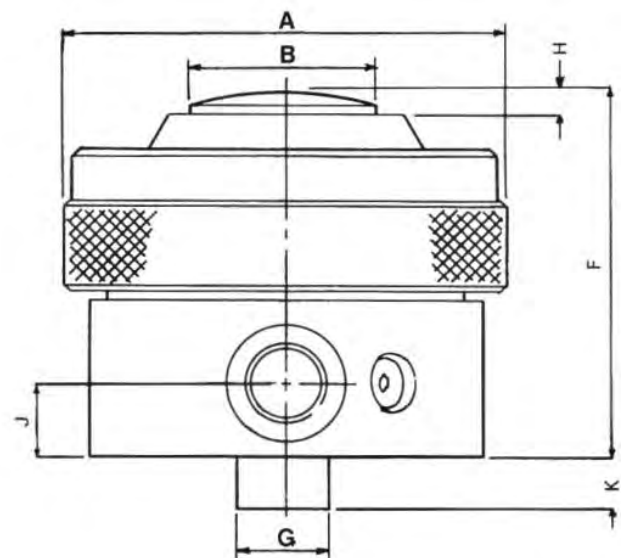


THEORETICAL THRUST EQUALS:-
OIL PRESSURE x EFFECTIVE AREA

GENERAL SPECIFICATIONS	IMPERIAL	METRIC
STROKE	.56 in	14,22 mm
EFFECTIVE AREA	3.55 in ²	22,90 cm ²
SWEPT VOLUME	1.99 in ³	32,61 cm ³
WEIGHT	3.25 lbs	1,32 kg

DIMENSION	IMPERIAL	METRIC
A DIA.	3.00	76,2
B DIA.	1.250	31,75
F	2.50	63,50
G DIA.	0.624	15,85
H	.125	3,17
K	0.375	9,52

Seal Kit Ref: A87540



Subject to change without notice

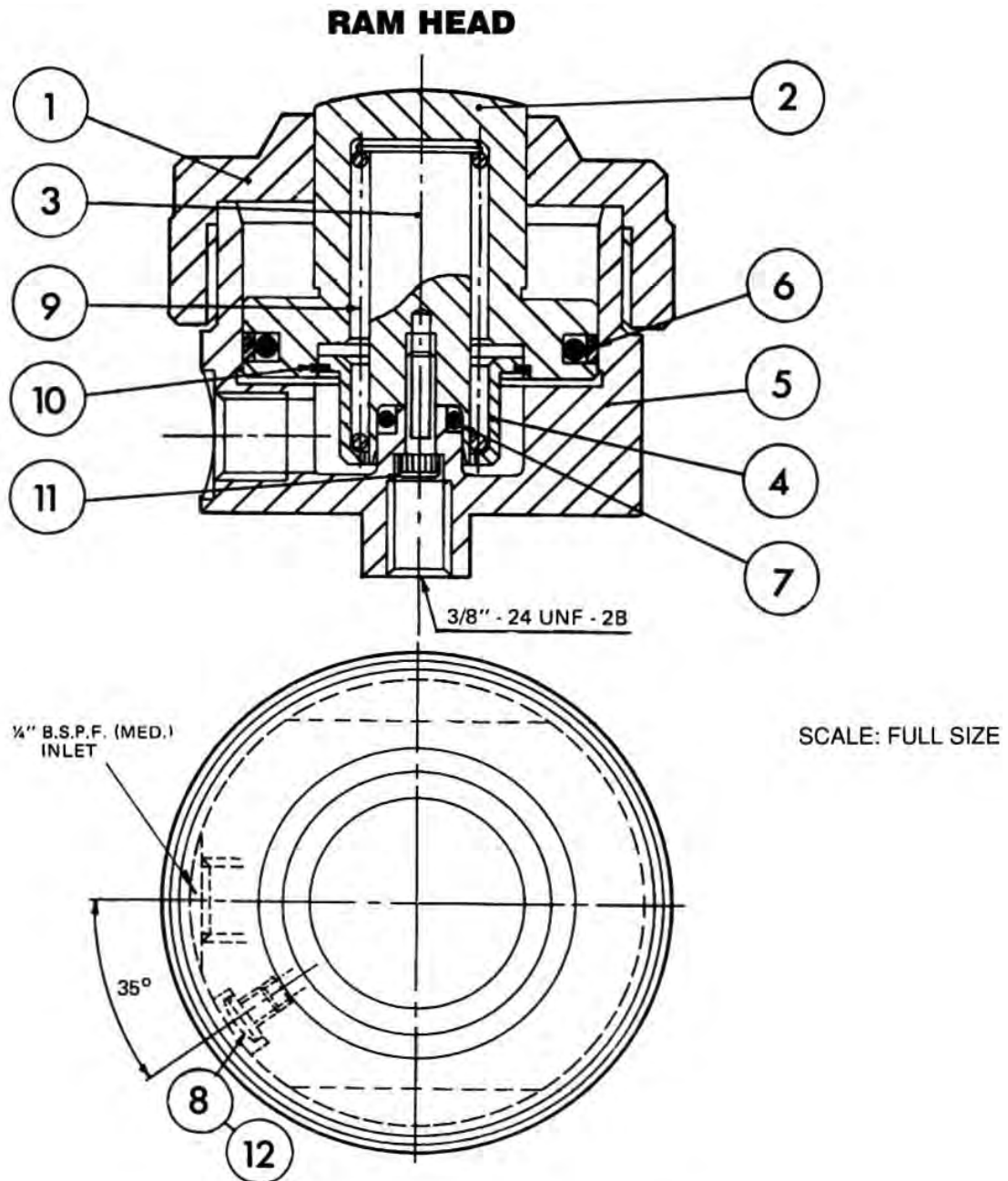


AC Hydraulics Ltd.

UNIT 11, SKETCHLEY MEADOWS, SKETCHLEY MEADOWS IND EST,
HINCKLEY, LEICESTERSHIRE, LE10 3EN

TEL: 01455 611116, FAX: 01455 614282

EMAIL: sales@achydraulics.co.uk WEB: www.achydraulics.co.uk



ITEM No.	DESCRIPTION	PART No.
1	GLAND NUT	A82120 / 1
2	PISTON	A82120 / 2
3	SPRING GUIDE	A82120 / 3
4	SPRING RETAINER	A82120 / 4
5	CYLINDER	A82120 / 5
6	PISTON SEAL 2.1/8" DIA.	A82120 / 6
7	'O' RING (SPRING GUIDE)	A82120 / 7
8	BONDED SEAL	A82120 / 8
9	SPRING	A82120 / 9
10	CIRCLIP 'S' INTERNAL	A82120 / 10
11	M4. SOC. CAP HD. SCREW	A82120 / 11
12	2BA BUTTON HD. SOL. SCREW	A82120 / 12

Subject to change without notice



AC Hydraulics Ltd.

UNIT 11, SKETCHLEY MEADOWS, SKETCHLEY MEADOWS IND EST,
HINCKLEY, LEICESTERSHIRE, LE10 3EN

TEL: 01455 611116, FAX: 01455 614282

EMAIL: sales@achydraulics.co.uk WEB: www.achydraulics.co.uk

RAM HEAD

CODE NO. A82122



**THEORETICAL THRUST EQUALS:-
OIL PRESSURE x EFFECTIVE AREA**

GENERAL SPECIFICATIONS	IMPERIAL	METRIC
STROKE	1 in	25,4 mm
EFFECTIVE AREA	3.55 in ²	22,90 cm ²
SWEPT VOLUME	3.55 in ³	58,17 cm ³
WEIGHT	5.125 lbs	2,32 kg

Subject to change without notice

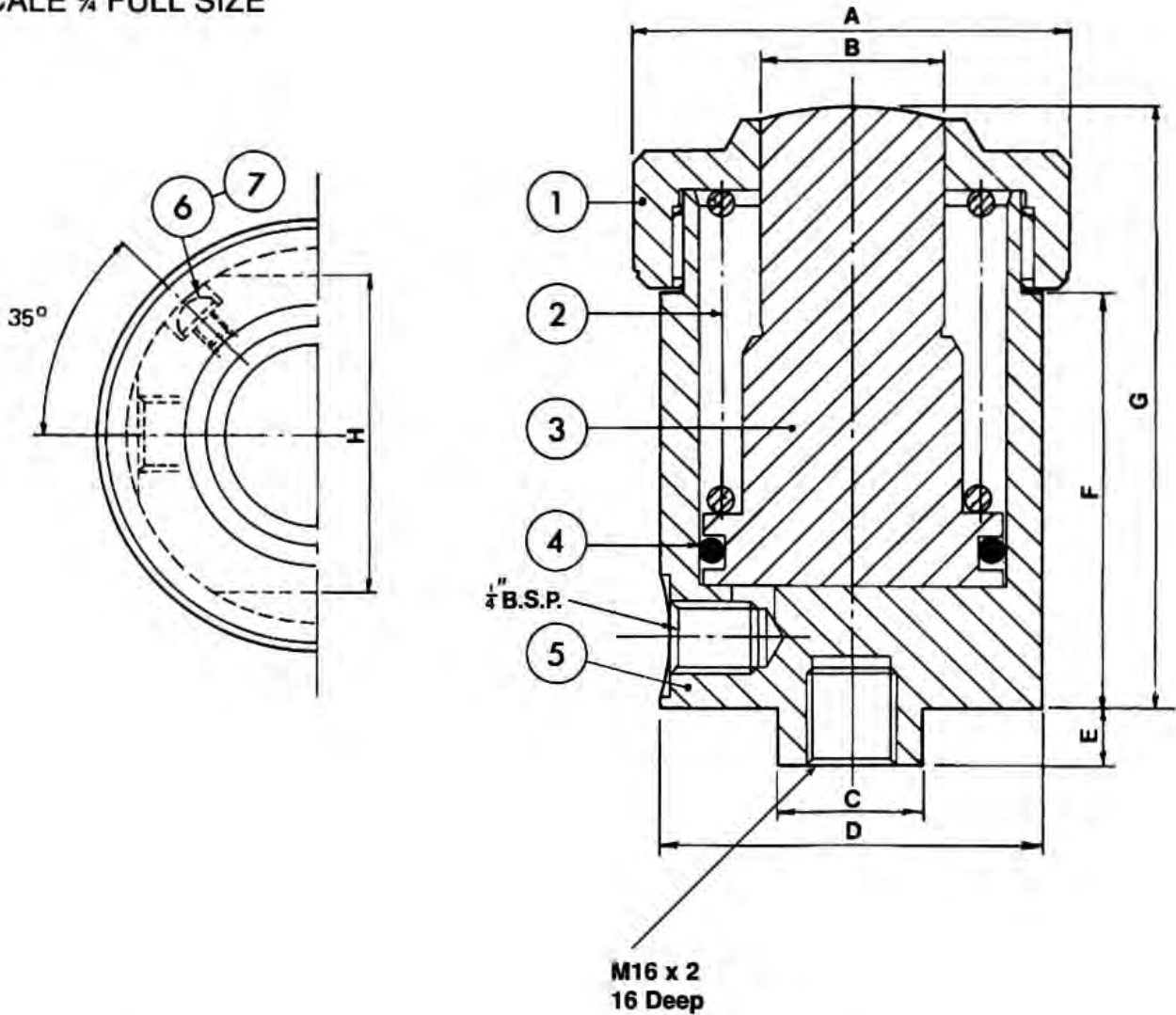


AC Hydraulics Ltd.

UNIT 11, SKETCHLEY MEADOWS, SKETCHLEY MEADOWS IND EST,
 HINCKLEY, LEICESTERSHIRE, LE10 3EN
 TEL: 01455 611116, FAX: 01455 614282
 EMAIL: sales@achydraulics.co.uk WEB: www.achydraulics.co.uk

RAM HEAD

SCALE ¾ FULL SIZE



ITEM No.	DESCRIPTION	PART No.
1	GLAND NUT	A82122 / 1
2	RETURN SPRING	A82122 / 2
3	PISTON	A82122 / 3
4	PISTON 'O' RING	A82122 / 4
5	CYLINDER	A82122 / 5
6	DOWTY WASHER	A82103 / 10
7	BLEED SCREW	A82103 / 11

DIMENSION	IMPERIAL	METRIC
A DIA.	3.00"	76,3 mm
B DIA.	1.25"	31,75 mm
C DIA.	1.0"	25,4 mm
D DIA.	2.625"	66,68 mm
E	.375"	9,53 mm
F	2.875"	73,03 mm
G	4.250"	108 mm
H	2.187"	55,56 mm

Subject to change without notice



AC Hydraulics Ltd.

UNIT 11, SKETCHLEY MEADOWS, SKETCHLEY MEADOWS IND EST,
HINCKLEY, LEICESTERSHIRE, LE10 3EN

TEL: 01455 611116, FAX: 01455 614282

EMAIL: sales@achydraulics.co.uk WEB: www.achydraulics.co.uk

MICRO BOOSTER

THE METRIC MICRO BOOSTER

SUITABLE FOR HORIZONTAL OR VERTICAL MOUNTING.

AVAILABLE IN SPRING RETURN VERSION ONLY, WITH TWO ALTERNATIVE BOOST RATIOS.

THE METRIC MICRO BOOSTER HAS IMPROVED FLOW TO AND FROM THE RECUPERATOR PORT.



HORIZONTAL MOUNTING

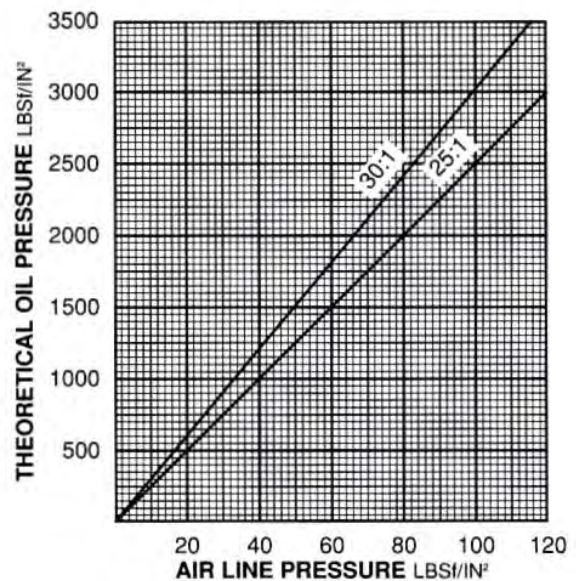


VERTICAL MOUNTING

MODEL No.	INTENSIFICATION	MAX. OIL OUTPUT	MAX. OIL PRESSURE
A82201	30/1	25.4 cm ³ (1.55 in ³)	3600 lb/in ²
A82200	25/1	31.5 cm ³ (1.93 in ³)	3000 lb/in ²

MAX. AIR PRESSURE: 120 lbf/in² (8.4 kgf/cm²)
WEIGHT: 9 lb 20 oz (4.43 kg)
AIR CYLINDER STROKE: 107 mm (4.21")

THEORETICAL PERFORMANCE



Subject to change without notice



AC Hydraulics Ltd.

UNIT 11, SKETCHLEY MEADOWS, SKETCHLEY MEADOWS IND EST,
HINCKLEY, LEICESTERSHIRE, LE10 3EN

TEL: 01455 611116, FAX: 01455 614282

EMAIL: sales@achydraulics.co.uk WEB: www.achydraulics.co.uk

AIRO-MATIC MINOR BOOSTER

Suitable for vertical mounting only and available only in spring returned version.

Hydraulic ports can be rotated, relative to air inlet.

To improve output the recuperator port can be pressure fed up to 100 lbf/in² to enable clamps or tools to be brought into contact with the work prior to booster applying the final pressure.



MODEL No.	INTENSIFICATION	MAX. OIL OUTPUT	COLOUR CODE
A82209	92-2/1	24.6cc 1.5 cu. in	Black
A82208	64-0/1	35.2cc 2.15 cu. in	White
A82207	41-0/1	55.1cc 3.36 cu. in	Yellow
A82206	29-6/1	76.2cc 4.65 cu. in	Blue
A82205	25-5/1	88.5cc 5.40 cu. in	Red
A82204	16-0/1	141.3cc 8.62 cu. in	Green

GENERAL SPECIFICATION

MAX. AIR PRESSURE
(except A82209)

IMPERIAL

120 lbf/in²

METRIC

8.4 kgf/cm²

MAX. AIR PRESSURE
(A82209 only)

100 lbf/in²

7 kgf/cm²

MAX. OIL PRESSURE

9216 lbf/in²

648 kgf/cm²

AIR CYLINDER STROKE

4.875"

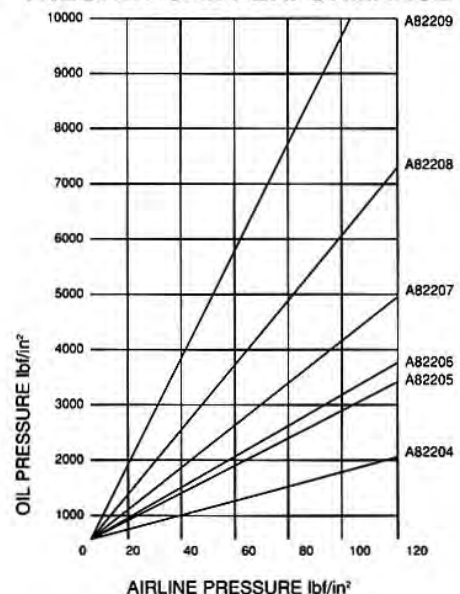
123.8mm

WEIGHT

22lb

10kg

THEORETICAL PERFORMANCE



Subject to change without notice



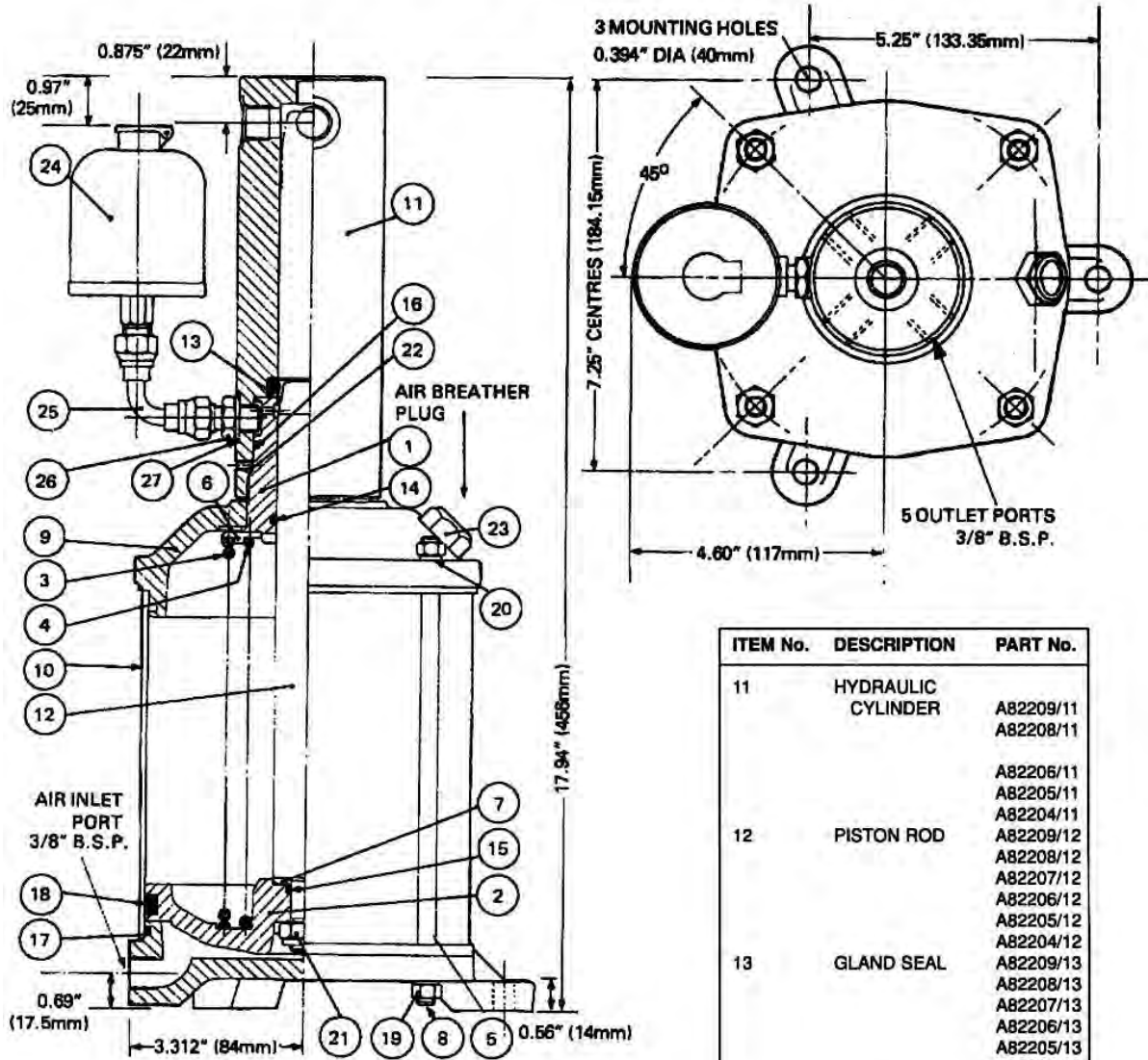
AC Hydraulics Ltd.

UNIT 11, SKETCHLEY MEADOWS, SKETCHLEY MEADOWS IND EST,
HINCKLEY, LEICESTERSHIRE, LE10 3EN

TEL: 01455 611116, FAX: 01455 614282

EMAIL: sales@achydraulics.co.uk WEB: www.achydraulics.co.uk

AIRO-MATIC MINOR BOOSTER



ITEM No.	DESCRIPTION	PART No.
1	GLAND BUSH	A82209/1
		A82208/1
		A82207/1
		A82206/1
		A82205/1
		A82204/1
2	PISTON HEAD	A82204/2
		A82204/3
3	SPRING OUTER	A82204/3
4	SPRING INNER	A82204/4
5	TIE ROD	A82204/5
6	SPRING WASHER	A82204/6
7	PISTON WASHER	A82204/7
8	BASE CASTING	A82204/8
9	HEAD CASTING	A82204/9
10	PNEUMATIC CYLINDER	A82204/10

ITEM No.	DESCRIPTION	PART No.
11	HYDRAULIC CYLINDER	A82209/11
		A82208/11
		A82206/11
		A82205/11
		A82204/11
		A82209/12
12	PISTON ROD	A82208/12
		A82207/12
		A82206/12
		A82205/12
		A82204/12
		A82209/13
13	GLAND SEAL	A82208/13
		A82207/13
		A82206/13
		A82205/13
		A82204/13
		A82209/14
14	"O" RING	A82208/14
		A82207/14
		A82206/14
		A82205/14
		A82204/14
		A82204/15
15	"O" RING	A82204/15
16	"O" RING	A82204/16
17	"O" RING	A82204/17
18	"O" RING	A82204/18
19	NUT	A82204/19
20	WASHER	A82204/20
21	LOCKNUT	A82204/21
22	LOCK SCREW	A82204/22
23	AIR BREATHER	A82204/23
24	RESERVOIR ASSEMBLY	A82204/24
		A82204/25
25	ELBOW	A82204/25
26	ADAPTOR	A82204/26
27	SEALING WASHER	A82204/27

Subject to change without notice



AC Hydraulics Ltd.

UNIT 11, SKETCHLEY MEADOWS, SKETCHLEY MEADOWS IND EST,
HINCKLEY, LEICESTERSHIRE, LE10 3EN

TEL: 01455 611116, FAX: 01455 614282

EMAIL: sales@achydraulics.co.uk WEB: www.achydraulics.co.uk

AIRO-MATIC BOOSTER

Suitable for horizontal or vertical mounting available in either spring or air returned versions with five alternative boost ratios. Hydraulic ports can be rotated relative to air inlet. (Slacken ring nut and rotate clockwise.)

The Airo-matic booster has improved flow to and from the recuperator port. To improve output the recuperator port can be pressure fed up to 1000 lbf/in² to enable clamps or tools to be brought into contact with the work prior to the booster applying the final pressure.



HORIZONTAL MOUNTING



VERTICAL MOUNTING

MODEL No.	INTENSIFICATION	MAX. OIL OUTPUT	COLOUR CODE
A82210	64.0/1	59cc 3.6 cu. in	White
A82211	49.0/1	77cc 4.7 cu. in	Yellow
A82212	31.4/1	120cc 7.3 cu. in	Blue
A82213	21.8/1	174cc 10.6 cu. in	Red
A82214	12.2/1	308cc 18.8 cu. in	Green

GENERAL SPECIFICATION

MAX. AIR PRESSURE:

IMPERIAL

120 lbf/in²

METRIC

8.4 kgf/cm²

MAX. OIL PRESSURE:

7,680 lbf/in²

579.5 kgf/cm²

WEIGHT:

40 lb 6 oz

18.4 kg

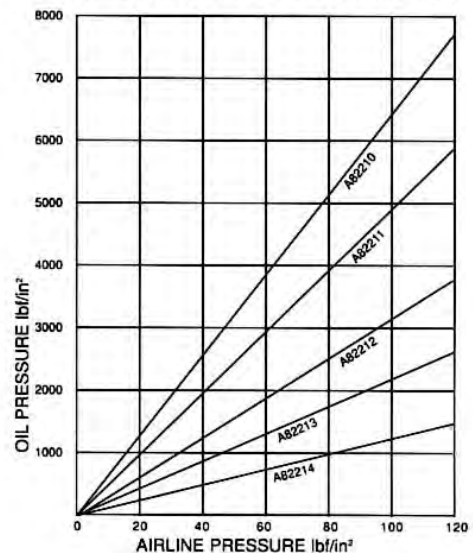
AIR CYLINDER STROKE:

6"

152.4mm

ORDERING:- For air return please use suffix "AR"
IE. A82210AR, unless otherwise stated boosters
will be supplied spring returned

THEORETICAL PERFORMANCE



Subject to change without notice



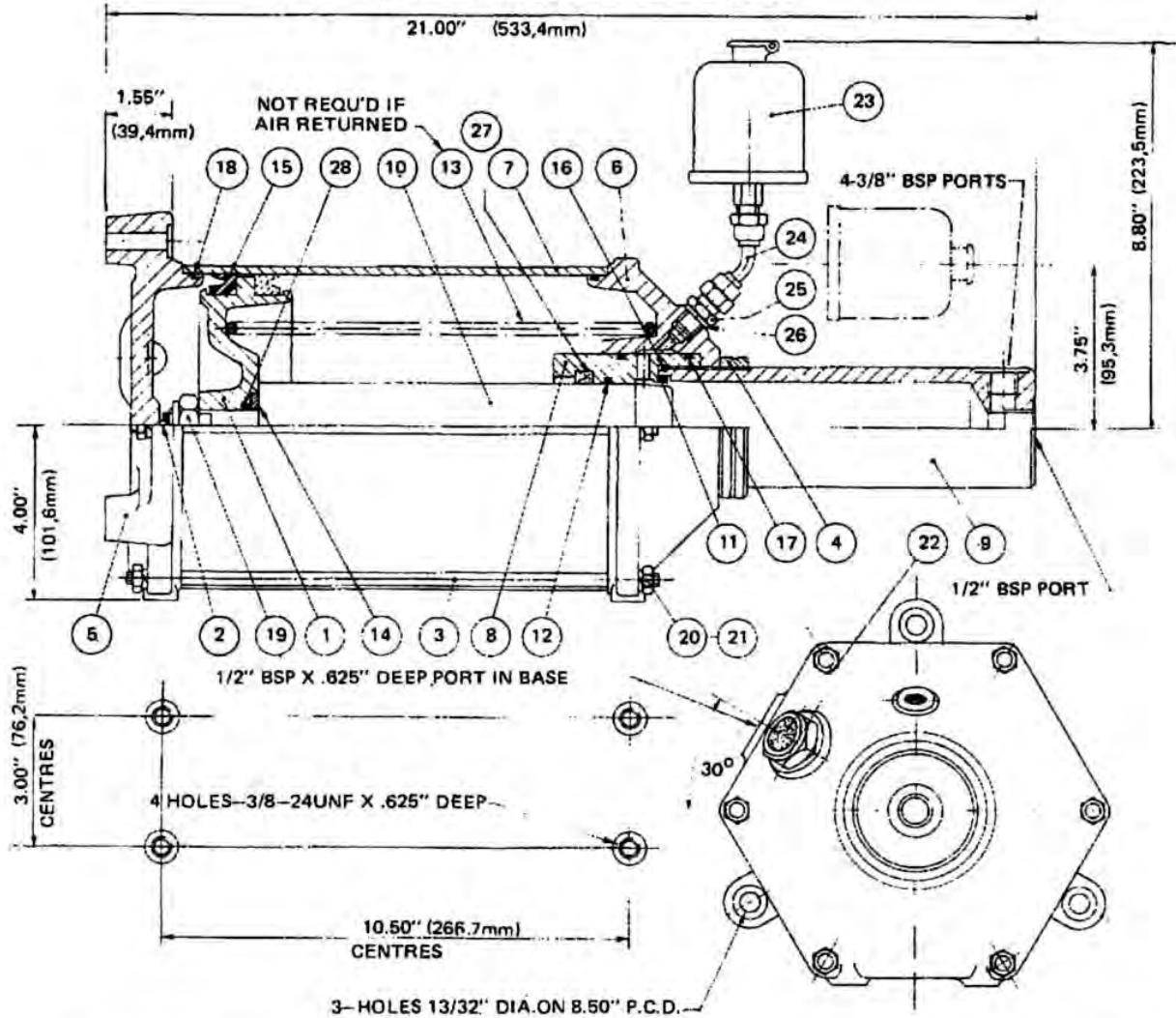
AC Hydraulics Ltd.

UNIT 11, SKETCHLEY MEADOWS, SKETCHLEY MEADOWS IND EST,
HINCKLEY, LEICESTERSHIRE, LE10 3EN

TEL: 01455 611116, FAX: 01455 614282

EMAIL: sales@achydraulics.co.uk WEB: www.achydraulics.co.uk

AIRO-MATIC BOOSTER



ITEM No.	DESCRIPTION	PART No.
1	PISTON HEAD	A82214/1
2	NYLON SLUG	A82214/2
3	TIE ROD	A82214/3
4	RING NUT	A82214/4
5	BASE CASTING	A82214/5
6	HEAD CASTING	A82214/6
7	PNEUMATIC CYLINDER	A82214/7
8	GLAND BUSH	A82210/8 A82211/8 A82212/8 A82213/8 A82214/8
9	HYDRAULIC CYLINDER	A82210/9 A82211/9 A82212/9 A82213/9 A82214/9

ITEM No.	DESCRIPTION	PART No.
10	PISTON ROD	A82210/10 A82211/10 A82212/10 A82213/10 A82214/10
11	ROD SEAL	A82210/11 A82211/11 A82212/11 A82213/11 A82214/11
12	"O" RING	A82210/12 A82211/12 A82212/12 A82213/12 A82214/12
13	RETURN SPRING	A82213/13
14	PISTON WASHER	A82213/14
15	PISTON HEAD SEAL (2 OFF IF AIR RETURNED)	A82213/15

ITEM No.	DESCRIPTION	PART No.
16	"O" RING	A82214/16
17	"O" RING	A82214/17
18	"O" RING (2 OFF IF AIR RETURNED)	A82214/18
19	LOCKNUT	A82214/19
20	NUT	A82214/20
21	WASHER	A82214/21
22	AIR BREATHER	A82214/22
23	RESERVOIR ASSY.	A82214/23
24	ELBOW	A82214/24
25	ADAPTOR	A82214/25
26	SEALING WASHER	A82214/26
27	AIR RETURN "U" RING - ONLY USED IF AIR RETURNED	A82210/27 A82211/27 A82212/27 A82213/27 A82214/27
28	"O" RING	A82214/28

Subject to change without notice



AC Hydraulics Ltd.

UNIT 11, SKETCHLEY MEADOWS, SKETCHLEY MEADOWS IND EST,
HINCKLEY, LEICESTERSHIRE, LE10 3EN

TEL: 01455 611116, FAX: 01455 614282

EMAIL: sales@achydraulics.co.uk WEB: www.achydraulics.co.uk

AIRO-MATIC BOOSTER LARGE VOLUME SERIES

Suitable for horizontal or vertical mounting available in either spring or air returned versions with five alternative boost ratios. Hydraulic ports can be rotated relative to air inlet. (Slacken ring nut and rotate clockwise.)

The Airo-matic booster has improved flow to and from the recuperator port. To improve output the recuperator port can be pressure fed up to 1000 lbf/in² to enable clamps or tools to be brought into contact with the work prior to the booster applying the final pressure.



HORIZONTAL MOUNTING

MODEL No.	INTENSIFICATION	MAX. OIL OUTPUT	COLOUR CODE
A82215	64.0/1	88cc 5.4 cu. in	White
A82216	49.0/1	116cc 7.1 cu. in	Yellow
A82217	31.4/1	181cc 11.0 cu. in	Blue
A82218	21.8/1	260cc 15.9 cu. in	Red
A82219	12.2/1	463cc 28.3 cu. in	Green

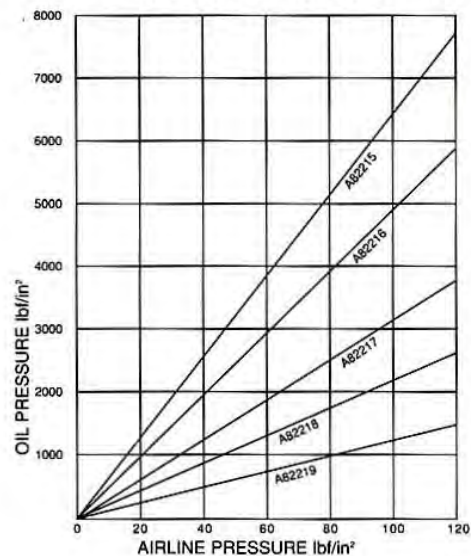


VERTICAL MOUNTING

GENERAL SPECIFICATION	IMPERIAL	METRIC
MAX. AIR PRESSURE:	20 lbf/in ²	8.4 kgf/cm ²
MAX. OIL PRESSURE:	7,680 lbf/in ²	579.5 kgf/cm ²
WEIGHT:	44 lb	20 kg
AIR CYLINDER STROKE:	9"	228.6mm

ORDERING:- For air return please use suffix "AR"
IE. A82215AR, unless otherwise stated boosters
will be supplied spring returned

THEORETICAL PERFORMANCE



Subject to change without notice



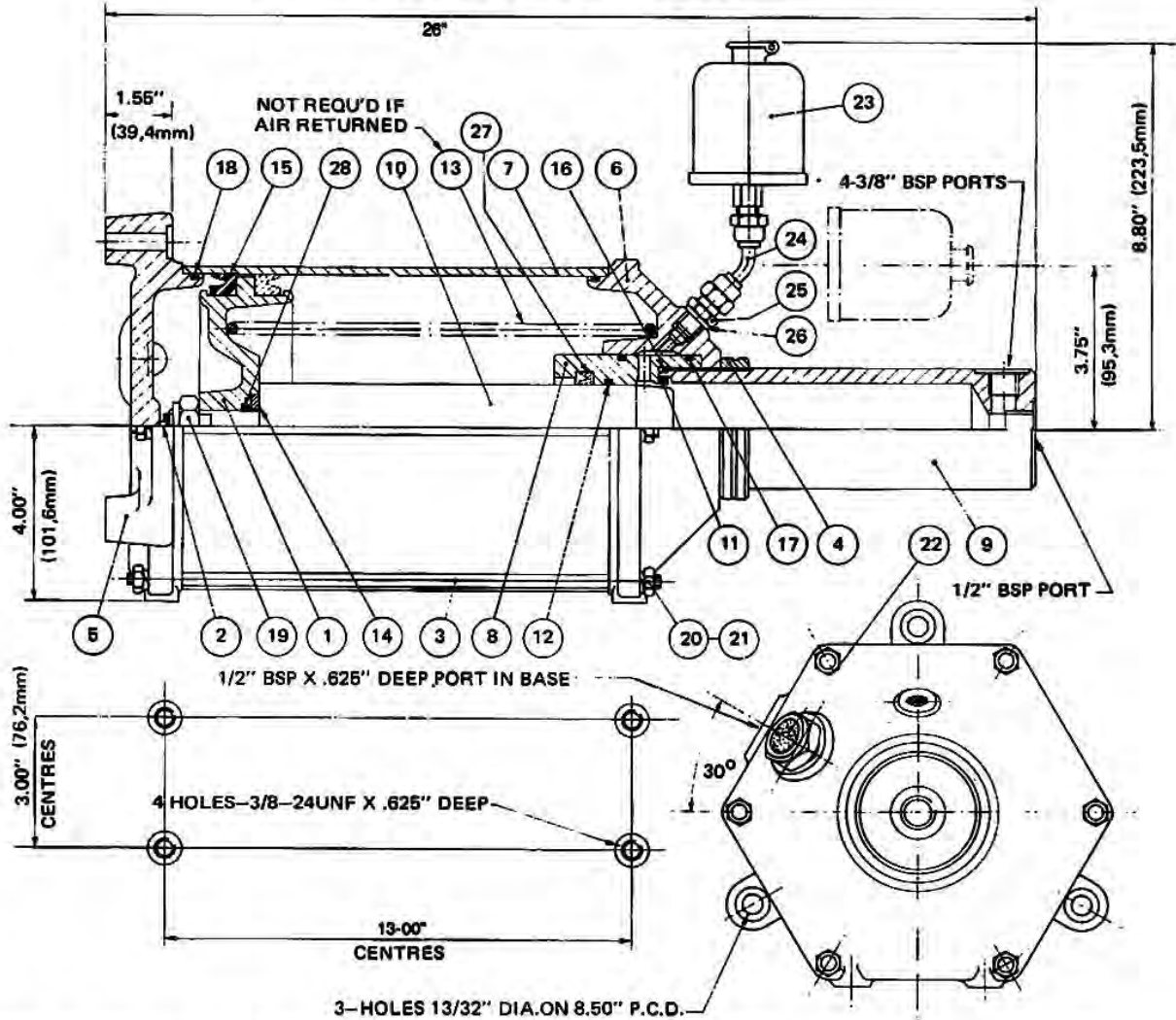
AC Hydraulics Ltd.

UNIT 11, SKETCHLEY MEADOWS, SKETCHLEY MEADOWS IND EST,
HINCKLEY, LEICESTERSHIRE, LE10 3EN

TEL: 01455 611116, FAX: 01455 614282

EMAIL: sales@achydraulics.co.uk WEB: www.achydraulics.co.uk

AIRO-MATIC BOOSTER



ITEM No.	DESCRIPTION	PART No.
1	PISTON HEAD	A82214/1
2	NYLON SLUG	A82214/2
3	TIE ROD	A82219/3
4	RING NUT	A82214/4
5	BASE CASTING	A82214/5
6	HEAD CASTING	A82214/6
7	PNEUMATIC CYLINDER	A82219/7
8	GLAND BUSH	A82210/8 A82211/8 A82212/8 A82213/8 A82214/8
9	HYDRAULIC CYLINDER	A82215/9 A82216/9 A82217/9 A82218/9 A82219/9

ITEM No.	DESCRIPTION	PART No.
10	PISTON ROD	A82215/10 A82216/10 A82217/10 A82218/10 A82219/10
11	ROD SEAL	A82210/11 A82211/11 A82212/11 A82213/11 A82214/11
12	"O" RING	A82210/12 A82211/12 A82212/12 A82213/12 A82214/12
13	RETURN SPRING	A82219/13
14	PISTON WASHER	A82213/14
15	PISTON HEAD SEAL (2 OFF IF AIR RETURNED)	A82213/15

ITEM No.	DESCRIPTION	PART No.
16	"O" RING	A82214/16
17	"O" RING	A82214/17
18	"O" RING (2 OFF IF AIR RETURNED)	A82214/18
19	LOCKNUT	A82214/19
20	NUT	A82214/20
21	WASHER	A82214/21
22	AIR BREATHER	A82214/22
23	RESERVOIR ASSY.	A82214/23
24	ELBOW	A82214/24
25	ADAPTOR	A82214/25
26	SEALING WASHER	A82214/26
27	AIR RETURN "U" RING - ONLY USED IF AIR RETURNED	A82210/27 A82211/27 A82212/27 A82213/27 A82214/27
28	"O" RING	A82214/28

Subject to change without notice

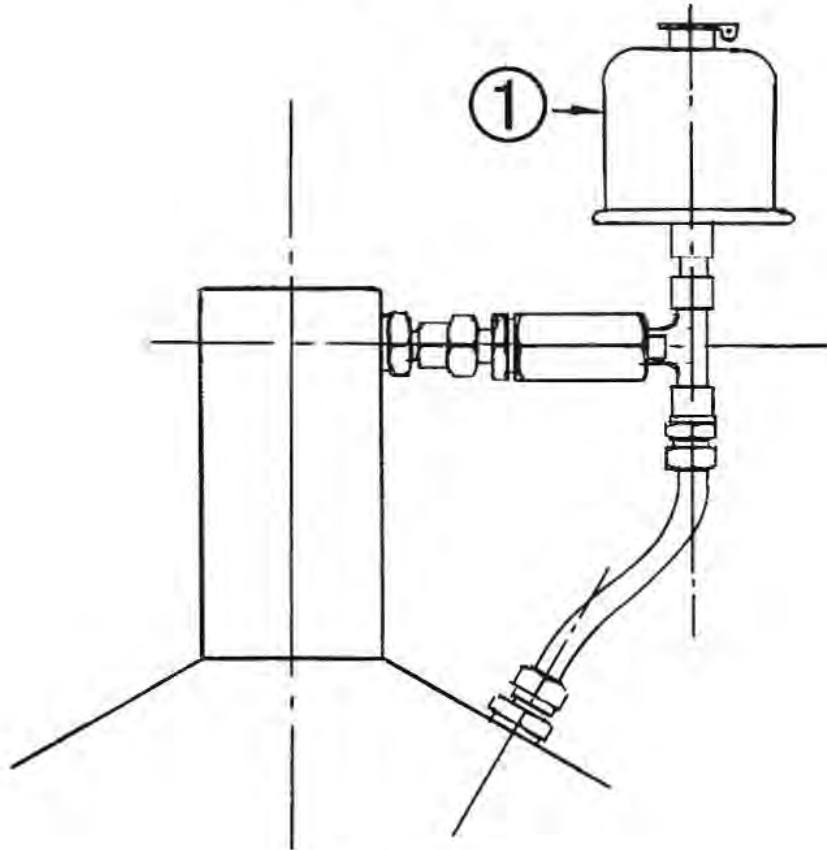


AC Hydraulics Ltd.

UNIT 11, SKETCHLEY MEADOWS, SKETCHLEY MEADOWS IND EST,
HINCKLEY, LEICESTERSHIRE, LE10 3EN
TEL: 01455 611116, FAX: 01455 614282
EMAIL: sales@achydraulics.co.uk WEB: www.achydraulics.co.uk

BLEED UNIT

REF A96212



COMPLETE ASSY REF: A96211

1. RESERVOIR REF A80692

THERE ARE CERTAIN CONDITIONS WHERE THIS UNIT MAY NOT BE SUITABLE.

CHECK WITH ACH AS TO ITS SUITABILITY.

SHOULD NOT BE USED IN CASES WHERE COMPRESSED AIR IS INTRODUCED
TO THE BOOSTER VERY SLOWLY.

Subject to change without notice



AC Hydraulics Ltd.

UNIT 11, SKETCHLEY MEADOWS, SKETCHLEY MEADOWS IND EST,
HINCKLEY, LEICESTERSHIRE, LE10 3EN
TEL: 01455 611116, FAX: 01455 614282
EMAIL: sales@achydraulics.co.uk WEB: www.achydraulics.co.uk

CAPSTAN PUMP



OPTIONAL MOUNTING BRACKET SHOWN

GENERAL SPECIFICATION	97015	97016
NORMAL OPERATING PRESSURE	176 bar	176 bar
MAXIMUM PRESSURE	211 bar	211 bar
MAXIMUM OIL OUTPUT	25.84 cm ³	127.6 cm ³
OUTPUT FOR ONE REVOLUTION OF HANDLE	1.84 cm ³	2.95 cm ³
WEIGHT	290 kg	3.74 kg

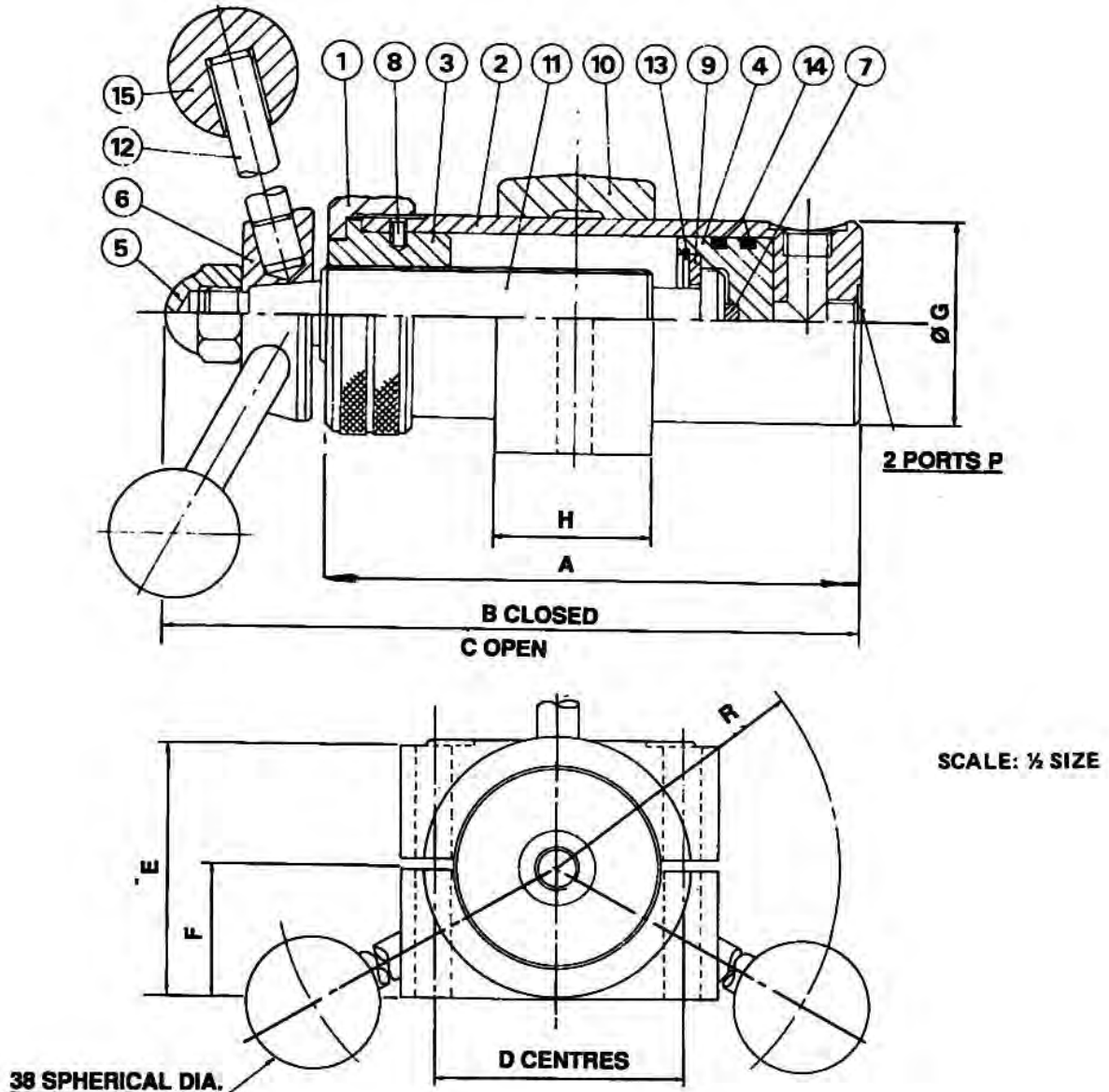
Subject to change without notice



AC Hydraulics Ltd.

UNIT 11, SKETCHLEY MEADOWS, SKETCHLEY MEADOWS IND EST,
 HINCKLEY, LEICESTERSHIRE, LE10 3EN
 TEL: 01455 611116, FAX: 01455 614282
 EMAIL: sales@achydraulics.co.uk WEB: www.achydraulics.co.uk

CAPSTAN PUMP



PART No.	A	B	C	D	E	F	Ø G	H	R	P	SEAL KIT
97015	104	150.8	176.2	60.33	63.5	31.75	50.8	45	85.7	1/4 BSP	97015K
97016	153	200	265	71.5	75	40	50	45	131	1/4 BSP	97015K

Subject to change without notice