

## Inductive proximity switches

housing shape, round



**Material:**

Housing in stainless steel;  
active surface in POM or PBT

**Surface finish:**

Voltage:  $U = 10 - 30$  V DC  
Function: Normally open  
Connection type: PNP  
Mounting type: flush  
Security type: IP 67

**Sample order:**

nIm 20900-010X2000 or to DIN specifications.

**Note:**

Non-contact, wear-free mode of operation, as well as high switching frequency and switching accuracy. Non-sensitive to vibrations, dust and moisture. Inductive sensors record all metals without contact.

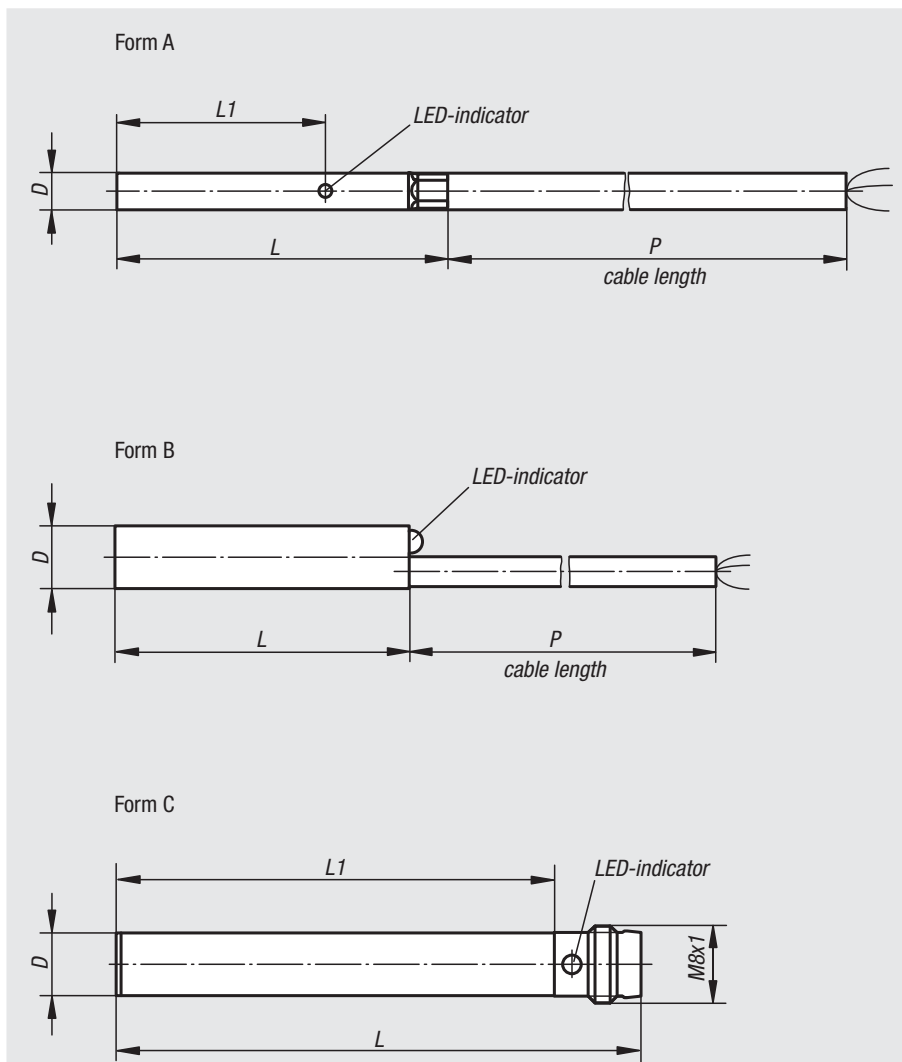
Short-circuit proof and reverse-polarity protected.

**Temperature range:**

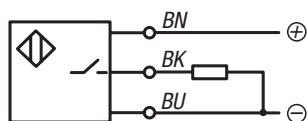
$-25^{\circ}\text{C}$  to  $+70^{\circ}\text{C}$

**Safety:**

This product is not suited as a sensor for the protection of persons.



Connection diagram:



BN = brown  
BK = black  
BU = blue

Order No.	Form	D	L	L1	P	Material active surface	Switching distance $S_n$ (mm)	Electricity I max. (mA)	Switching frequency $f$ (Hz)	Connection type	Number of conductors x conductor cross-section
20900-010X2000	A	3	27	16,7	2000	POM	1	100	2000	PUR cable	3 x 0,09 mm <sup>2</sup>
20900-020X5000	A	4	27	15,4	5000	POM	1,5	100	3000	PUR cable	3 x 0,14 mm <sup>2</sup>
20900-030X3000	B	6,5	30	-	3000	PBT	1,5	200	3000	PVC cable	3 x 0,14 mm <sup>2</sup>
20900-040	C	6,5	55	43	-	PBT	1,5	200	3000	plug connector	3
20900-050	C	6,5	60	48	-	PBT	1,5	200	5000	plug connector	3