

Plug connectors

with screw fitting



Material:

Cable and housing PUR
Contacts, gold-plated bronze.

Surface finish:

Bush (female)
Voltage: U max. 60 V
Current: I max. 4 A
Number of terminals: 3-pin
Security type: IP 67

Sample order:

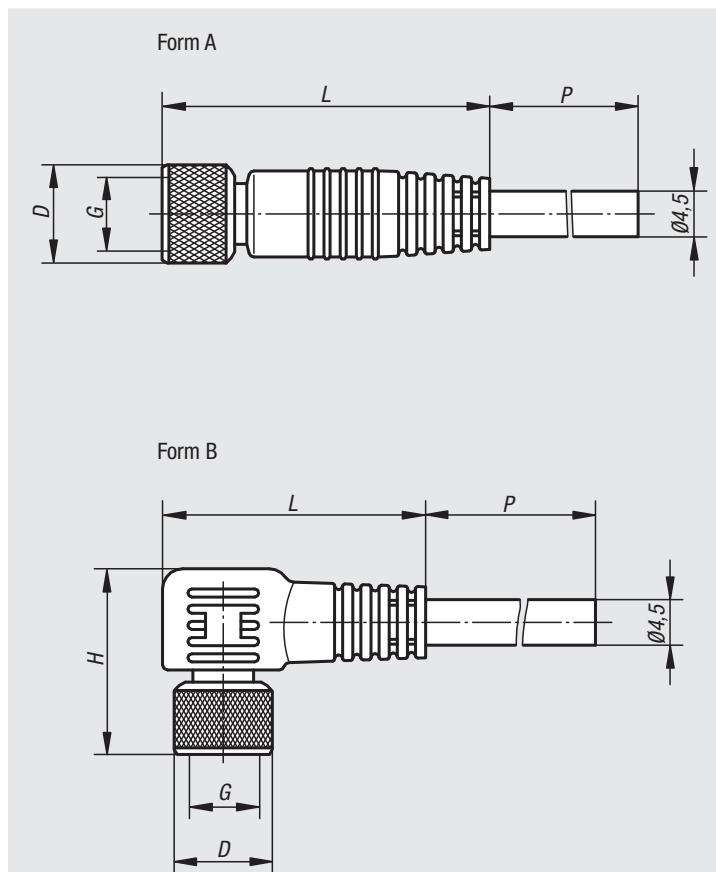
nIm 20950-010X2000 or to DIN specifications.

Note:

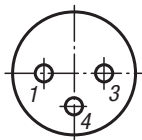
Plug connector with screw locking. Plug connector coated at the cable.

Temperature range:

-25°C to +70 °C



Connection diagram of sleeve:



1 = brown (BN)
3 = blue (BU)
4 = black (BK)

Order No.	Form	D	H	G	L	P	Number of conductors x conductor cross-section
20950-010X2000	A	9,7	-	M8x1	32	2000	3 x 0,25 mm ²
20950-020X2000	A	14,5	-	M12x1	41,5	2000	3 x 0,34 mm ²
20950-030X2000	B	9,7	18,2	M8x1	26	2000	3 x 0,25 mm ²
20950-040X2000	B	14,5	26,5	M12x1	38,5	2000	3 x 0,34 mm ²