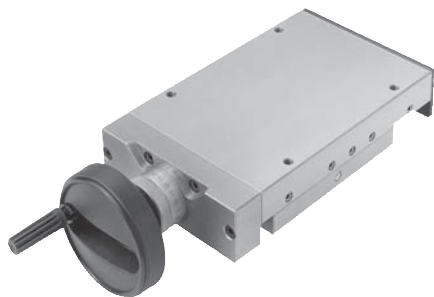


# Dovetail slides

with spindle and knurled micrometer knob and handwheel

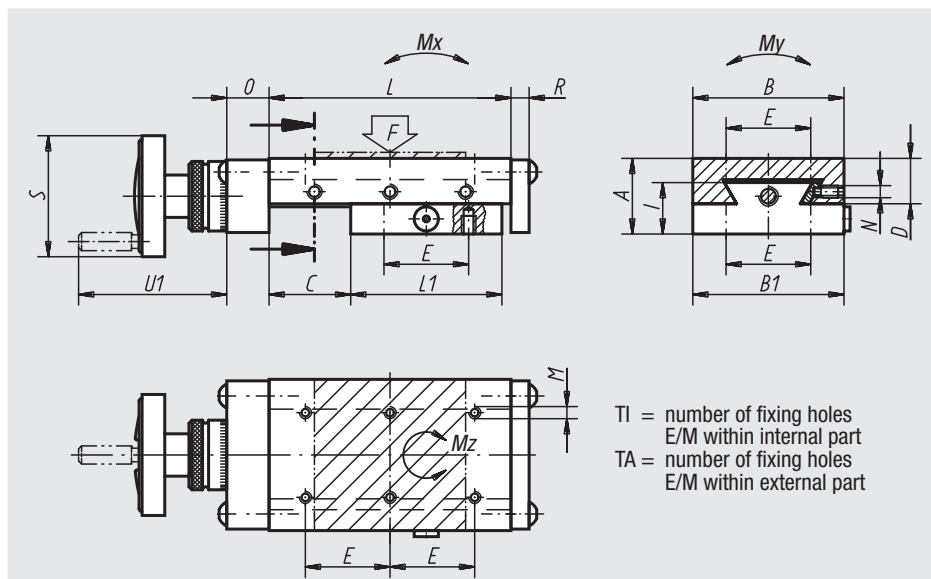


**Material:**  
GJL 250.

**Surface finish:**  
Natural finish, ground

**Sample order:**  
nlm 21033-150310

**Note:**  
The central adjustment screw „N“ can also be replaced by a clamp lever part no. 06460. The micrometer screw is graduated in 0.02 mm increments. Other graduations are available on request. The rotary handle of the wheel can be folded.  
The stated permissible load values (F) are designed for dynamic stress with a lifespan of 1 million lifting operations. For static stress the permissible load is equal to 10 times the value F.  
The torque values apply only if the dovetail slides are centred.



Order No.	A	B	B1	C	D	E	TI	TA	I	L	L1	M	N	O	R	S	U1	Spindle	F (N)	Mx Nm	My Nm	Mz Nm	Approx. weight kg
21033-150210	50	150	149	50	29,5	130	4	4	35,5	210	150	M8	M8	28	8	80	100	Tr16x2	917	31	128	33	11,500
21033-150310	50	150	149	100	29,5	130	4	6	35,5	310	200	M8	M8	28	8	80	100	Tr16x2	868	53	169	58	15,300