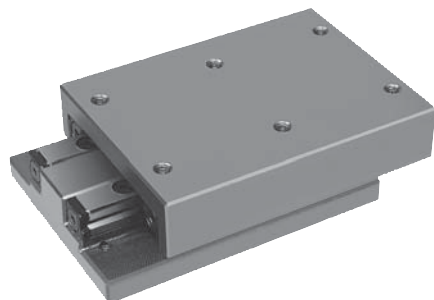


Precision roller sliders



Material:

GJL 250 ground

Sample order:

nln 21034-050105

Note:

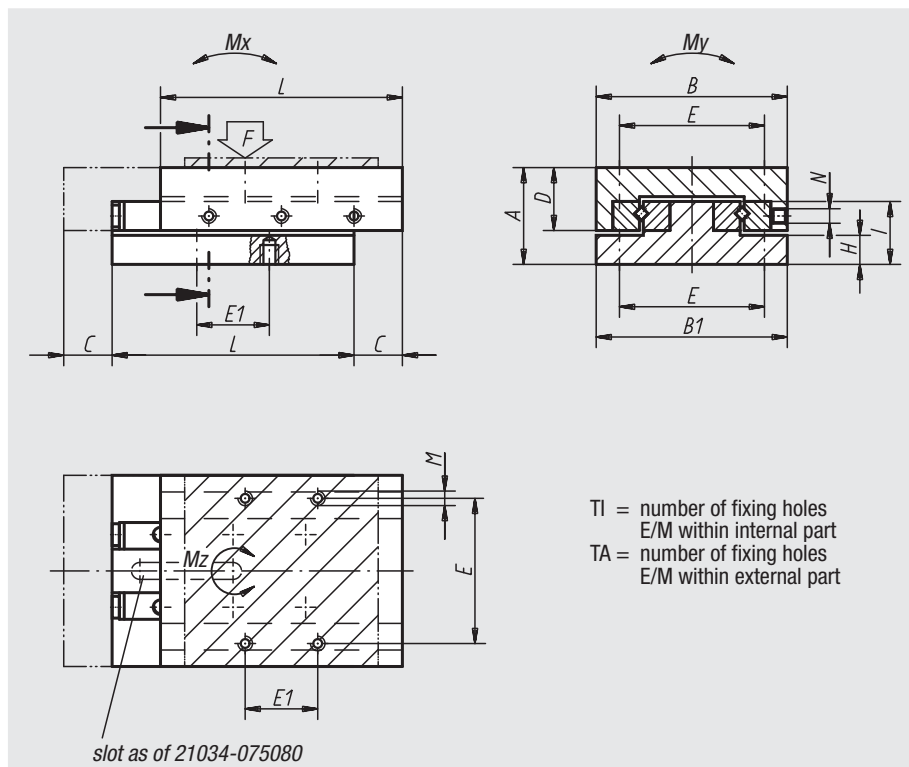
Optional: adherence clamping system on the side edge, with no load on the guiding geometry.

F = permissible load for dynamic and static use.

The stated permissible load values (F) are designed for a lifespan of 1 million lifting operations.

The torque values apply only if the dovetail slides are centred.

On request, also available in crossed table versions.



Order No.	Type	A	B	B1	C	D	E	E1	TI	TA	H	I	L	M	N	F (N)	Mx Nm	My Nm	Mz Nm	Approx. weight kg
21034-040050	RON	20	40	39,5	10	13	30	15	4	4	6,5	13	50	M3	M3	206	1	4	3	0,300
21034-0400501	ROL	20	40	39,5	17,5	13	30	15	4	4	6,5	13	50	M3	M3	85	1	3	2	0,300
21034-040065	ROL	20	40	39,5	25	13	30	15	6	6	6,5	13	65	M3	M3	114	1	4	3	0,380
21034-040080	ROL	20	40	39,5	32,5	13	30	15	8	8	6,5	13	80	M3	M3	143	3	5	5	0,470
21034-050055	RON	25	50	49,5	10	17	28	28	4	4	7,5	18	55	M4	M3	283	4	7	6	0,440
21034-050080	ROL	25	50	49,5	30	17	28	28	6	6	7,5	18	80	M4	M3	189	3	9	7	0,640
21034-050105	ROL	25	50	49,5	40	17	28	28	8	8	7,5	18	105	M4	M3	301	10	11	15	0,840
21034-050155	ROL	25	50	49,5	60	17	28	28	12	12	7,5	18	155	M4	M3	476	23	19	33	1,250
21034-060055	RON	25	60	59,5	10	17	34	34	4	4	7,5	18	55	M4	M3	288	4	8	6	0,530
21034-060080	ROL	25	60	59,5	30	17	34	34	6	6	7,5	18	80	M4	M3	192	3	11	7	0,770
21034-060105	ROL	25	60	59,5	40	17	34	34	6	6	7,5	18	105	M4	M4	305	10	14	15	1,020
21034-060155	ROL	25	60	59,5	60	17	34	34	10	10	7,5	18	155	M4	M4	483	23	23	34	1,500
21034-075080	RON	32	75	74,5	15	21	62	62	4	4	10,5	23	80	M5	M5	487	10	18	15	1,230
21034-075105	RON	32	75	74,5	20	21	62	62	4	4	10,5	23	105	M5	M5	690	18	26	27	1,610
21034-075130	RON	32	75	74,5	25	21	62	62	4	4	10,5	23	130	M5	M5	895	29	33	42	2,000
21034-100110	RON	40	100	99,5	15	27,5	86	86	4	4	12	28	110	M6	M6	1284	43	59	63	2,920
21034-100160	ROL	40	100	99,5	52,5	27,5	86	86	4	4	12	28	160	M6	M6	946	37	79	68	4,280
21034-100210	ROL	40	100	99,5	80	27,5	86	86	6	6	12	28	210	M6	M6	1066	60	99	105	5,650
21034-100260	ROL	40	100	99,5	105	27,5	86	86	6	6	12	28	260	M6	M6	1228	89	119	151	7,000