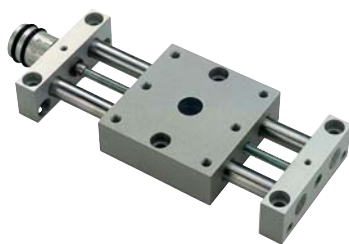


Long positioning tables



Material:

Support bearing and carriage made of anodized aluminium alloy. Ground stainless steel guiding columns. Stainless steel screw with rolled thread. Guiding: smooth maintenance-free bearings

Surface finish:

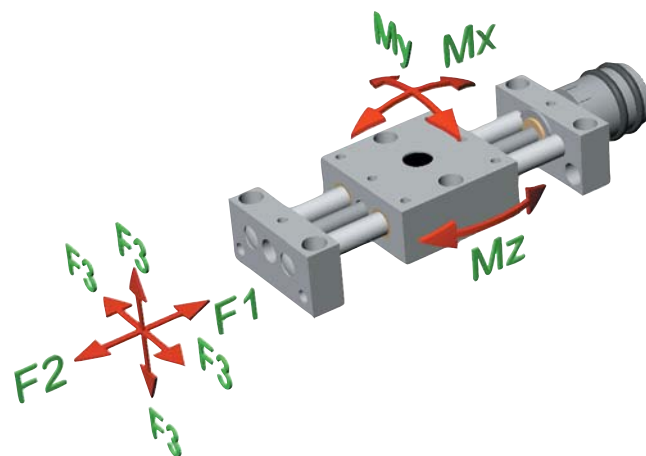
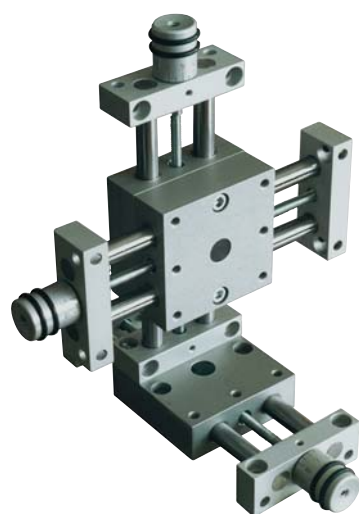
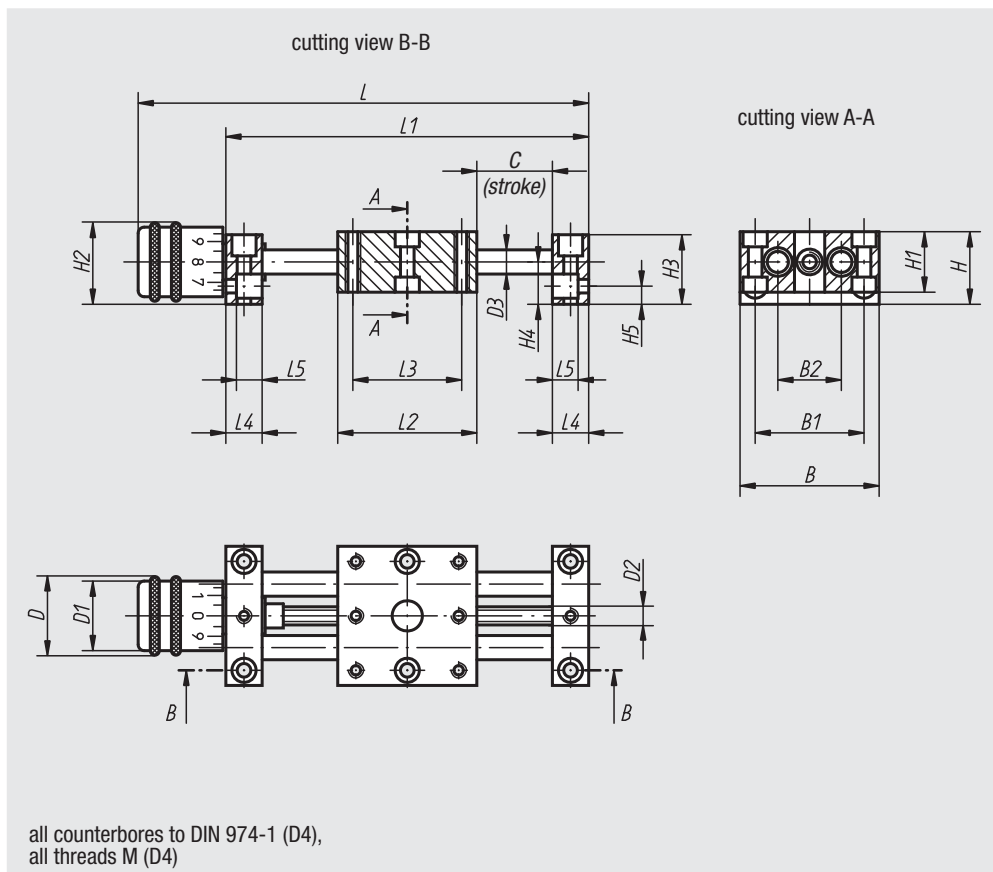
Specifications: Radial guidance play < 0.02 mm, no axial play. Self-locking screw with additional locking system.

Sample order:

nIm 21120-04

Note:

The guiding system is practically free of play and there is absolutely no play in the screw. That is why no adjustment of the screw is required. 5 or 10 graduation scale. Each graduation represents a 0.1 mm displacement. Because of its modular design, the positioning table can be easily combined with the accessories of its category.



| Order No. | B | B1 | B2 | C | D | D1 | D2 | D3 | D4 | H | H1 | H2 | H3 | H4 | H5 | L | L1 | L2 | L3 | L4 | L5 | F1 (N) | F2 (N) | F3 (N) | Mx Nm | My Nm | Mz Nm | Approx. weight kg |
|-----------|-----|-----|----|----|----|----|--------|----|----|----|----|------|----|------|----|-------|-----|-----|-----|----|-----|--------|--------|--------|-------|-------|-------|-------------------|
| 21120-04 | 29 | 22 | 12 | 23 | 13 | 12 | M3x0,5 | 4 | 3 | 14 | 12 | 14,5 | 13 | 8 | 4 | 84,5 | 70 | 29 | 22 | 8 | 6 | 70 | 70 | 70 | 0,77 | 0,77 | 0,77 | 0,046 |
| 21120-08 | 46 | 36 | 21 | 48 | 26 | 23 | M6x1 | 8 | 4 | 24 | 20 | 27 | 23 | 14 | 6 | 148,5 | 120 | 46 | 36 | 12 | 8,5 | 200 | 200 | 200 | 3,6 | 3,6 | 3,6 | 0,248 |
| 21120-12 | 75 | 60 | 38 | 73 | 26 | 23 | M6x1 | 12 | 6 | 28 | 25 | 28,5 | 27 | 15,5 | 7 | 209 | 180 | 75 | 60 | 15 | 11 | 300 | 300 | 300 | 18 | 18 | 18 | 0,803 |
| 21120-25 | 150 | 130 | 90 | 86 | 52 | 46 | M16x2 | 25 | 10 | 53 | 50 | 54 | 52 | 28 | 13 | 347 | 290 | 150 | 130 | 25 | 18 | 1000 | 1000 | 1000 | 65 | 65 | 65 | 6,080 |