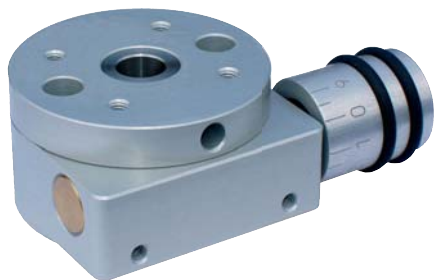


Circular positioning tables



Material:

Base and circular table made of anodized aluminium alloy.
 Spindle in steel.
 Spindle bearing: slide bearing, maintenance-free

Surface finish:

Radial play of the rotary shaft < 0,015 mm,
 axial play of the rotary shaft < 0,02 mm,
 repeating accuracy < 0,05°.
 Self-locking spindle.

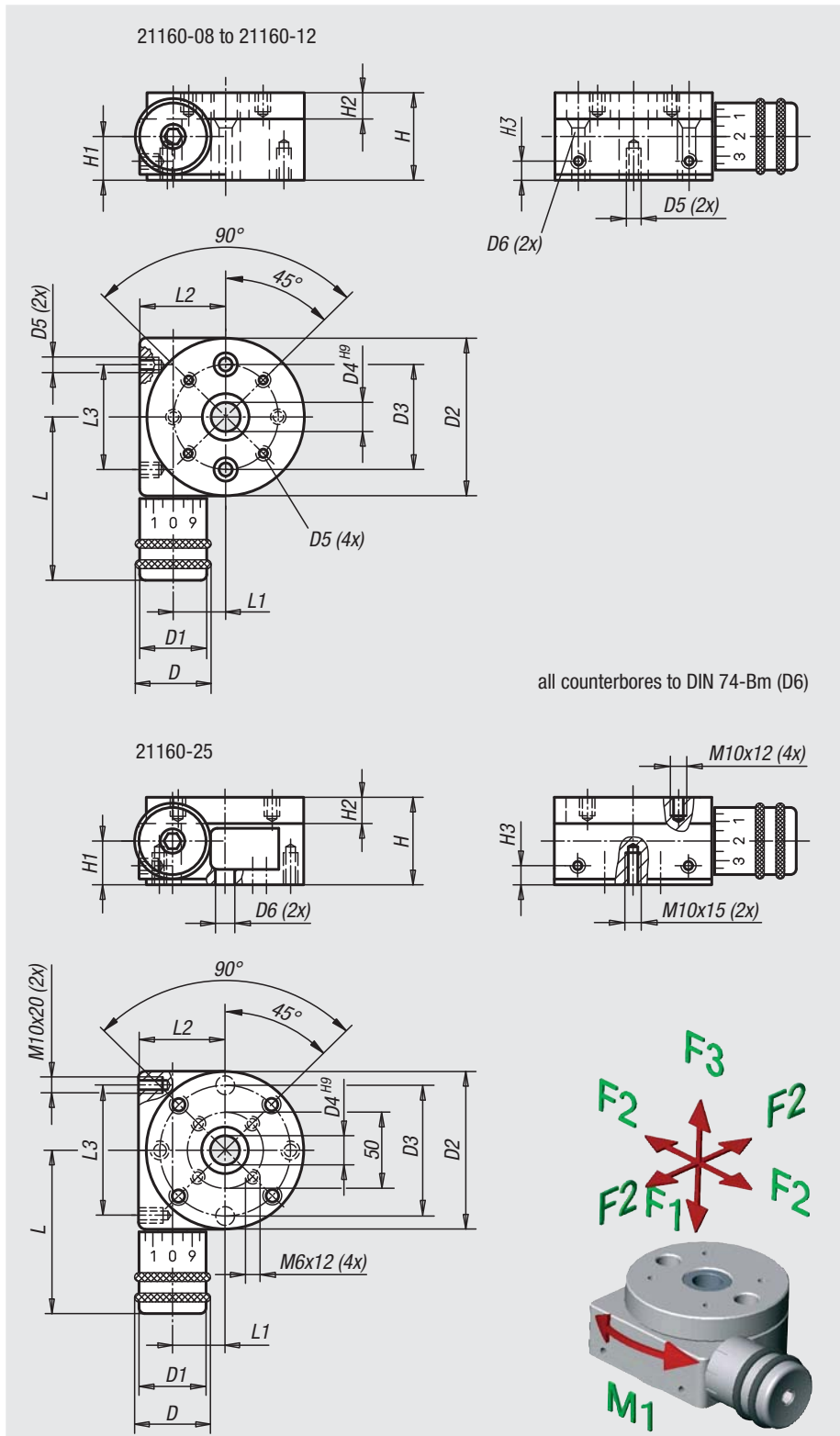
Sample order:

nIm 21160-08

Note:

360° adjustment with no end stop.
 10-graduation scale.
 Transmission ratio:
 21160-08 = 50:1
 21160-12 = 55:1
 21160-25 = 50:1

Because of its modular design, the circular positioning table can be easily combined with the accessories of its category.



all counterbores to DIN 74-Bm (D6)

Order No.	D	D1	D2	D3	D4	D5	D6	H	H1	H2	H3	L	L1	L2	L3	F1 (N)	F2 (N)	F3 (N)	M1 Nm	Approx. weight kg
21160-08	26	23	54	36	10	M4x6	4	30	14	9	6	56	17	29	36	500	500	200	3	0,260
21160-12	26	23	80	60	15	M6x9	6	40	17,5	12	6	69	31	43	60	500	500	200	5	0,760
21160-25	51	46	150	130	40	-	10,2	75	35	18	12	134	53	80	130	1000	1000	500	10	4,350