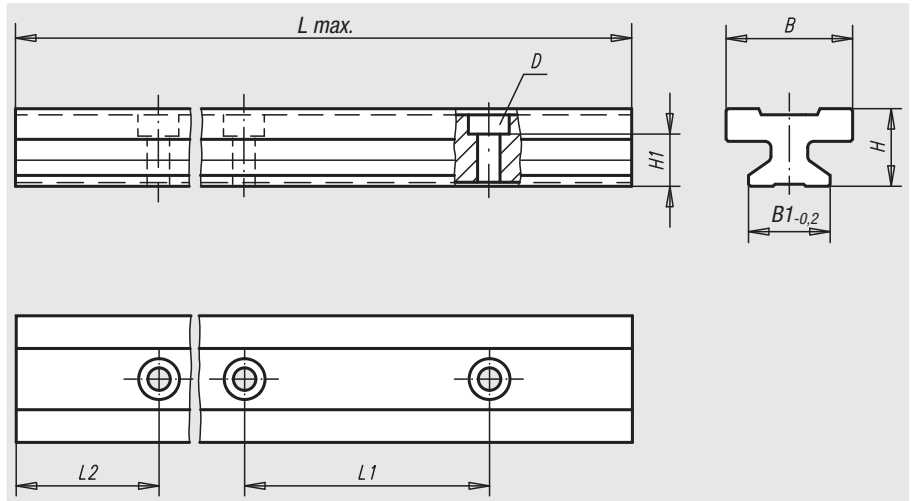


# Guide rails DryLin® T



**Material:**

Extruded section, aluminium EN AW-6060.

**Surface finish:**

Hard anodized aluminium, 50 µm. Hardness 500 HV.

**Sample order:**

nIm 21200-1530X3960 (L max.)

21200-1520X500 (per customer request: guide rail size 15)

\*\* please indicate dimension L2 = 20 mm

\* please indicate dimension L = 500 mm

L2 and L dimensions can only be stated in complete mm.

**Note:**

The aluminium guide rail has good thermal conductivity and importantly heats only at continuously very high speeds.

Order No.	Surface finish	Size	L max.	L2	B	B1	D for screw DIN 912	H	H1	L1	Approx. weight kg/m
21200-1530X3960	L max.	15	3960	30	22	15	M4	15,5	10	60	0,600
21200-2030X3960	L max.	20	3960	30	31	20	M5	19	12,3	60	1,000
21200-2530X3960	L max.	25	3960	30	34	23	M6	21,5	13,8	60	1,300
21200-3020X3960	L max.	30	3960	20	40	28	M8	26	15,8	80	1,900

Order No.	Surface finish	Size	L max.	L	L2	L2 min.	L2 max.	B	B1	D for screw DIN 912	H	H1	L1	Approx. weight kg/m
21200-15**X*	L2 and L as per customer request	15	3960	*	**	20	49	22	15	M4	15,5	10	60	0,600
21200-20**X*	L2 and L as per customer request	20	3960	*	**	20	49	31	20	M5	19	12,3	60	1,000
21200-25**X*	L2 and L as per customer request	25	3960	*	**	20	49	34	23	M6	21,5	13,8	60	1,300
21200-30**X*	L2 and L as per customer request	30	3960	*	**	20	59	40	28	M8	26	15,8	80	1,900

01000  
02000  
03000  
04000  
05000  
06000  
07000  
08000  
09000  
20000  
21000  
22000  
23000