

Low profile linear guide systems DryLin® N



Material:

Base of the car: slider-bearing zinc iglidur® J;
rails of anodized aluminium

Surface finish:

Guide rail natural colour anodized. Fixation
thread of the guide car in brass

Sample order:

nIm 21230-1700 (Guide car, fixed bearing)

Ordering example guide rail:

nIm 21230-1720X1960 (L max.)
21230-1720X500 (per customer request: guide
rail)

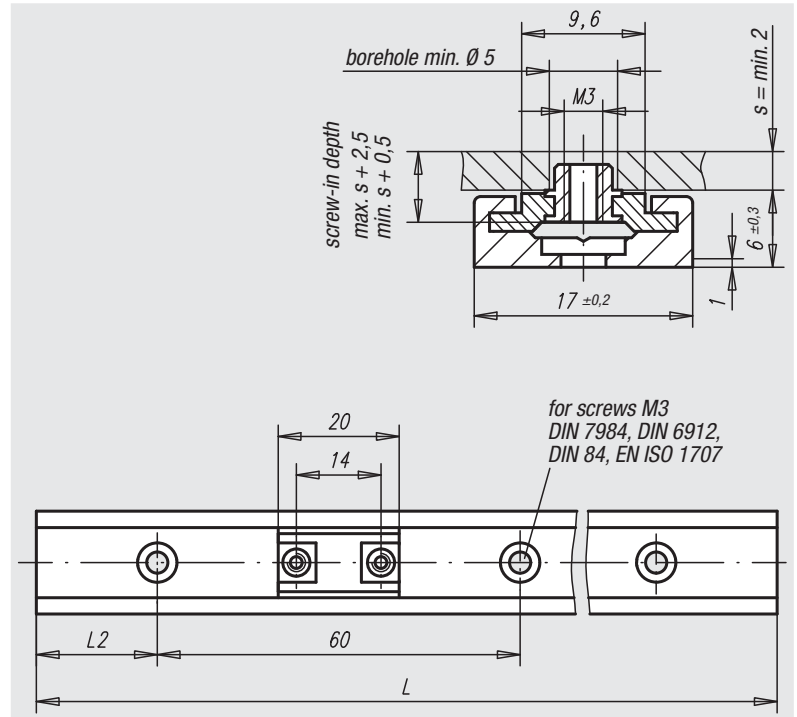
** please indicate dimension L2 = 20 mm

* please indicate dimension L = 500 mm

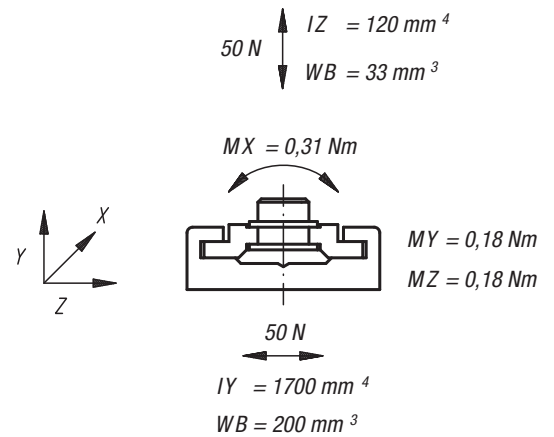
L2 and L dimensions can only be stated in
complete mm.

Note:

Low-profile miniature guide systems are
maintenance-free and corrosion-resistant. Very
high speeds and accelerations are possible as
a result of their low weight. Can be used in a
temperature range of up to 80 °C.
Low-profile guide systems are insensitive to
dust and are ideally suited to running dry.



static load capacity and geometrical moment of inertia



Carriage

Order No.	Surface finish	Approx. weight g guide car
21230-1700	fixed bearing	1,7
21230-1710	floating bearing	1,7

Guide rails

Order No.	Surface finish	L max.	L2	Approx. weight g/m guide rail
21230-1720X1960	L max.	1960	20	150

Order No.	Surface finish	L2	L2 min.	L2 max.	Approx. weight g/m guide rail
21230-17**X*	L2 and L customer specific	**	20	49	150