

Sliding carriages DryLin® W



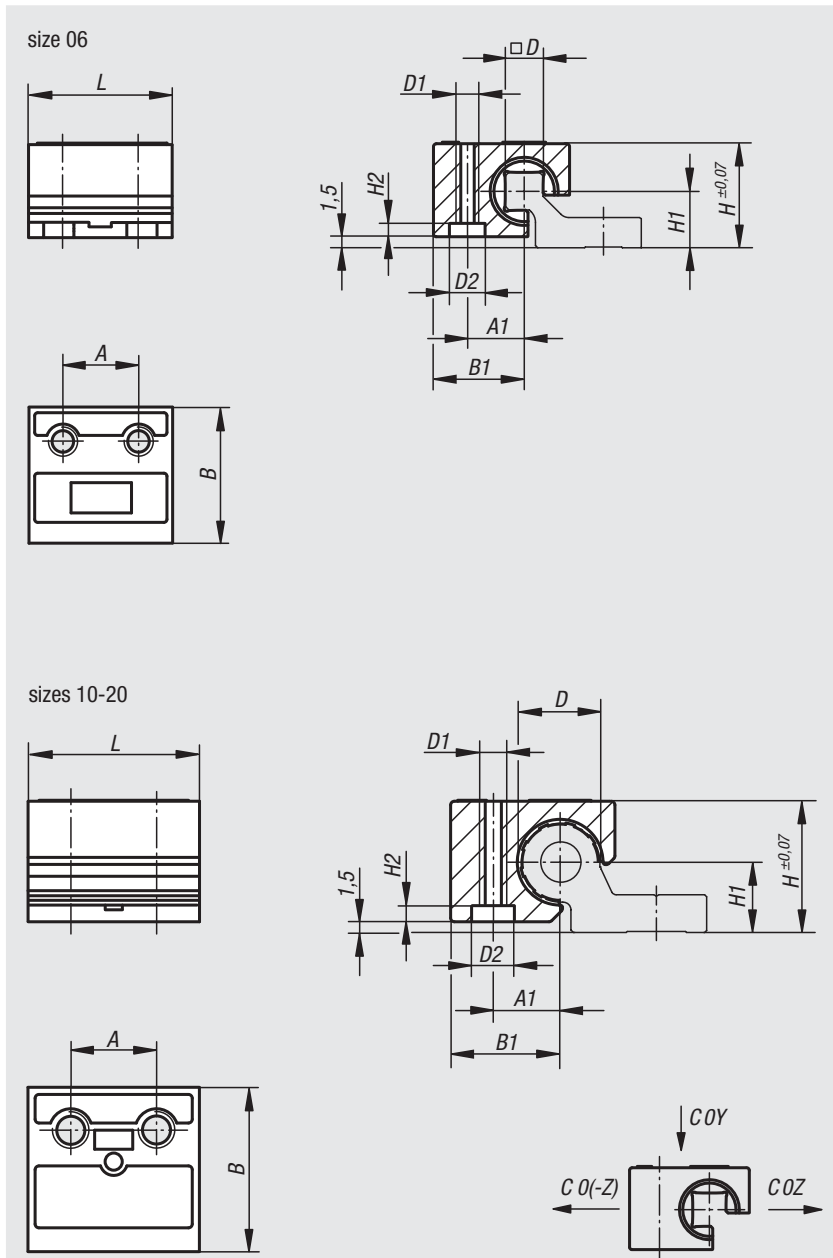
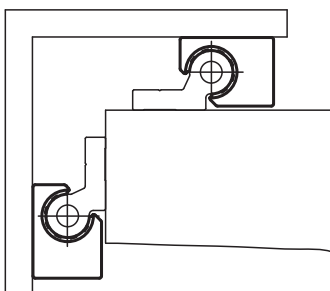
Material:
Die cast zinc;
plain bearing in iglidur® J

Surface finish:
Chromated

Sample order:
nlm 21240-0600

Note:
DryLin® W guide carriages are maintenance-free and corrosion-resistant. Lacking the need of lubrication makes the system highly dirt resistant. Low friction coefficients in the dry running condition and very quiet run. Ideally suited for single or dual guide rails. Speeds up to 15 m/s.
Can be used in a temperature range of -40 °C up to 90 °C.

Accessory:
Guide Rails 21240



Order No.	Surface finish	Size	A	A1	B	B1	D	D1	D2	H	H1	H2	L	C0Y kN	C0Z kN	C0(-Z) kN	Approx. weight kg
21240-0600	fixed bearing standard	06	10	7,5	18	12	5	M4	7	14	7,5	2	19	0,42	0,42	0,14	0,016
21240-0620	floating bearing in y direction	06	10	7,5	18	12	5	M4	7	14	7,5	2	19	0,42	0,42	0,14	0,016
21240-0630	floating bearing in z direction	06	10	7,5	18	12	5	M4	7	14	7,5	2	19	0,42	0,42	0,14	0,016
21240-1000	fixed bearing standard	10	16	10	26	16,5	10	M6	9,5	18	9	3,5	29	1,2	1,2	0,25	0,041
21240-1020	floating bearing	10	16	10	26	16,5	10	M6	9,5	18	9	3,5	29	1,2	1,2	0,25	0,041
21240-1600	fixed bearing standard	16	18	14	34,5	23	16	M8	11,5	27	14	4	36	2,1	2,1	0,4	0,100
21240-2000	fixed bearing standard	20	27	17	42,5	26	20	M8	11,5	36	20	4	45	3,2	3,2	0,5	0,190
21240-2020	floating bearing	20	27	17	42,5	26	20	M8	11,5	36	20	4	45	3,2	3,2	0,5	0,190

01000
02000
03000
04000
05000
06000
07000
08000
09000
20000
21000
22000
23000