

Carriages



Material:

Body in tempered steel
 Balls, roller bearing steel.
 Diverters, plastic.

Surface finish:

Natural finish

Sample order:

nIm 21400-15106601

Note:

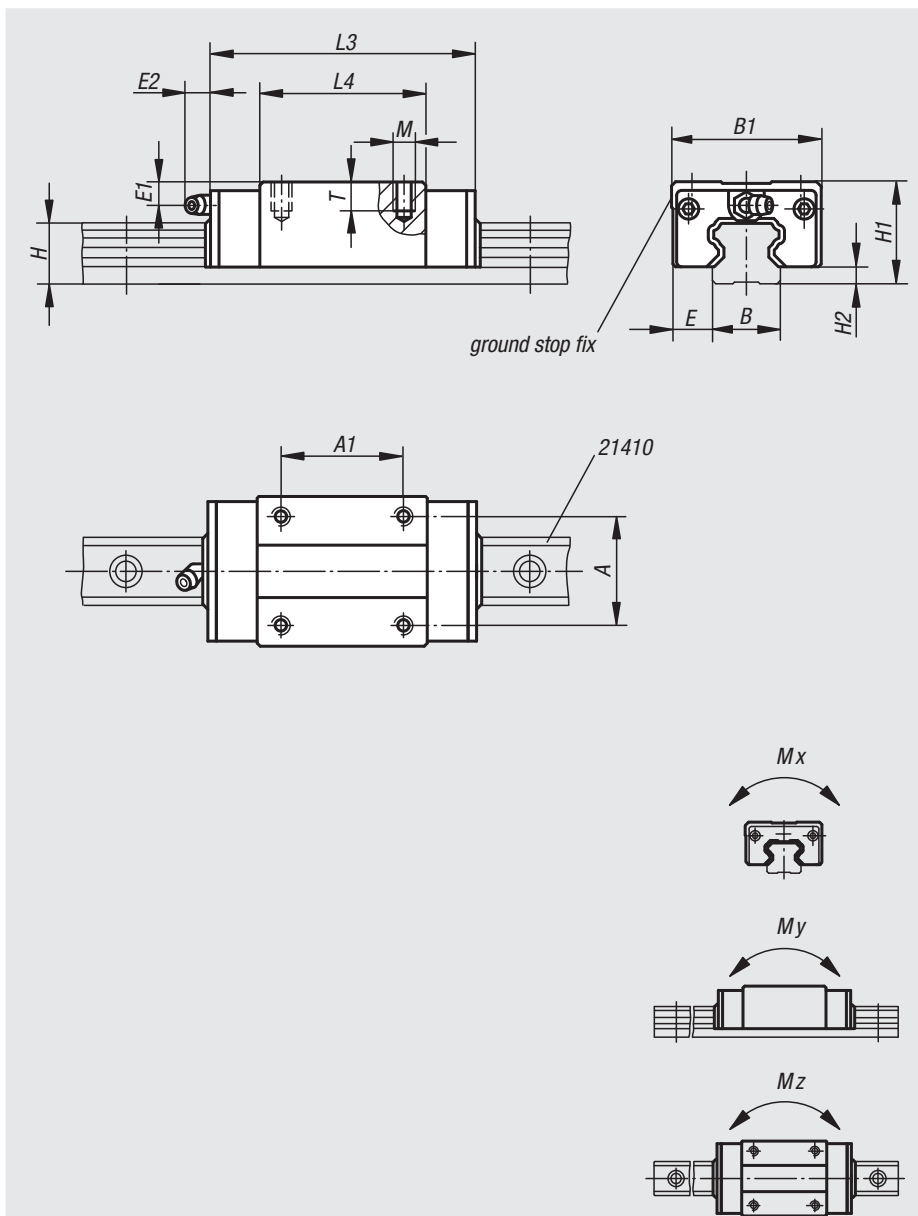
Standard carriage with revolving ball guidance according to accuracy N without pre-stressing (Z0). With double-sided close-off seal. 4-row versions with round arch profile. The tracks of the profile guide rails are set below an angle of 45° and thus can carry loads from all directions.

High dynamic values: $v = 5 \text{ m/s}$.

Application temperature in continuous operation at max. 80 °C.

On request:

Various accuracies and pre-stressing classes available.



Order No.	Surface finish	Size	Mx Nm	My Nm	Mz Nm	Dynamic base loads N	Static base loads N	Lubrication hole
21400-15106601	standard	15	70	50	50	6850	12700	Ø3
21400-20107801	standard	20	220	180	180	14500	25600	M6x1
21400-25108801	standard	25	360	320	310	21400	40000	M6x1
21400-30110901	standard	30	600	500	490	29800	54900	M6x1
21400-25211001	long	25	504	448	434	29960	56000	M6x1
21400-30213101	long	30	785	650	650	39000	71900	M6x1

Order No.	Surface finish	Size	A	A1	B	B1	E	E1	E2	H	H1	H2	L3	L4	M	T	Approx. weight kg
21400-15106601	standard	15	26	26	15	34	9,5	8,3	5	14	28	4,6	66	40	M4	6,4	0,210
21400-20107801	standard	20	32	36	20	44	12	7	13,5	18	30	5	77,8	48,8	M5	8	0,310
21400-25108801	standard	25	35	35	23	48	12,5	11	13,5	22	40	7	88	57	M6	9,6	0,450
21400-30110901	standard	30	40	40	28	60	16	10	13	26	45	9	109	72	M8	12,8	0,910
21400-25211001	long	25	35	50	23	48	12,5	11	13,5	22	40	7	110,1	79,1	M6	9,6	0,560
21400-30213101	long	30	40	60	28	60	16	10	13	26	45	9	131,3	94,3	M8	12,8	1,200