

Miniature profile guide rails

stainless steel



Material:

Stainless steel 1.4034

Surface finish:

Natural finish

Sample order:

nIm 21425-0705X0240

Note:

Profile guide rails can be screwed on from above. The profile rails, on which one or more carriages can be mounted, are available in four miniature sizes.

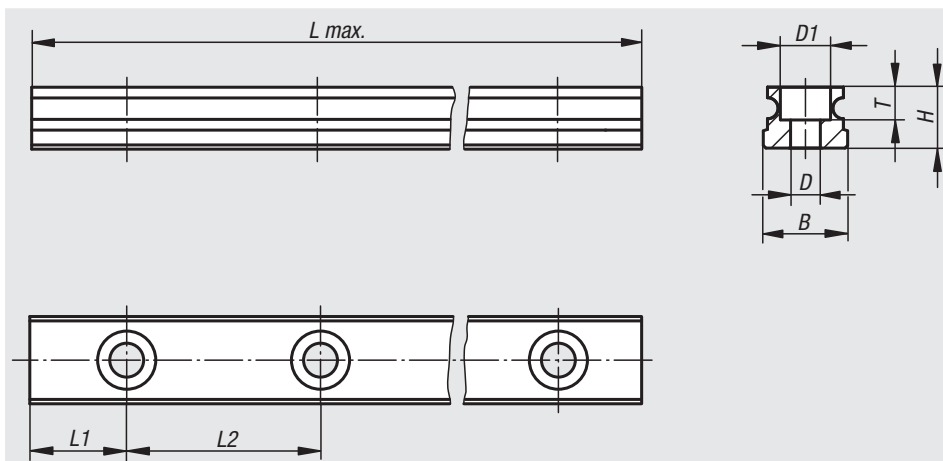
4-point ball bearing system with identical load angles and 2 ball bearings per carriage. Thus loads can be uniformly absorbed from all sides.

Max. acceleration: 80 m/s².

Maximum traversing speed 3 m/s.

Application temperature -20 °C to +80 °C.

Combination of the rails is possible.



| Order No. | Size | D | D1 | H | L max. | L1 | L2 | B | T | Approx. weight kg/m |
|-----------------|------|-----|-----|-----|--------|-----|----|----|-----|---------------------|
| 21425-0705X0240 | 7 | 2,4 | 4,2 | 4,7 | 240 | 7,5 | 15 | 7 | 2,3 | 0,230 |
| 21425-0907X0495 | 9 | 3,5 | 6 | 5,5 | 495 | 7,5 | 20 | 9 | 3,3 | 0,320 |
| 21425-1210X0570 | 12 | 3,5 | 6 | 7,5 | 570 | 10 | 25 | 12 | 4,5 | 0,580 |
| 21425-1515X0790 | 15 | 3,5 | 6 | 9,5 | 790 | 15 | 40 | 15 | 4,5 | 0,925 |