

Linear ball bearings

with angle error adjustment, high basic load rating



Material:

Housing, plastic
Press plates, roller bearing steel.
Balls, steel.

Sample order:

nIm 21515-1202

Note:

The linear ball bearings correspond to series 3 of ISO 10285. With double-sided double-lip seal. These bearings excel in comparison with a standard linear ball bearing owing to the double load-carrying capacity or eightfold travel life. By means of the angle error adjustment, misalignments of housing drill holes or shaft bowing under load are adjusted, the load distribution optimised and the uniform load of all the balls across the entire bearing length assured. The linear ball bearing is held in place by a retaining ring acc. to DIN 471/472.

Recommended tolerances:

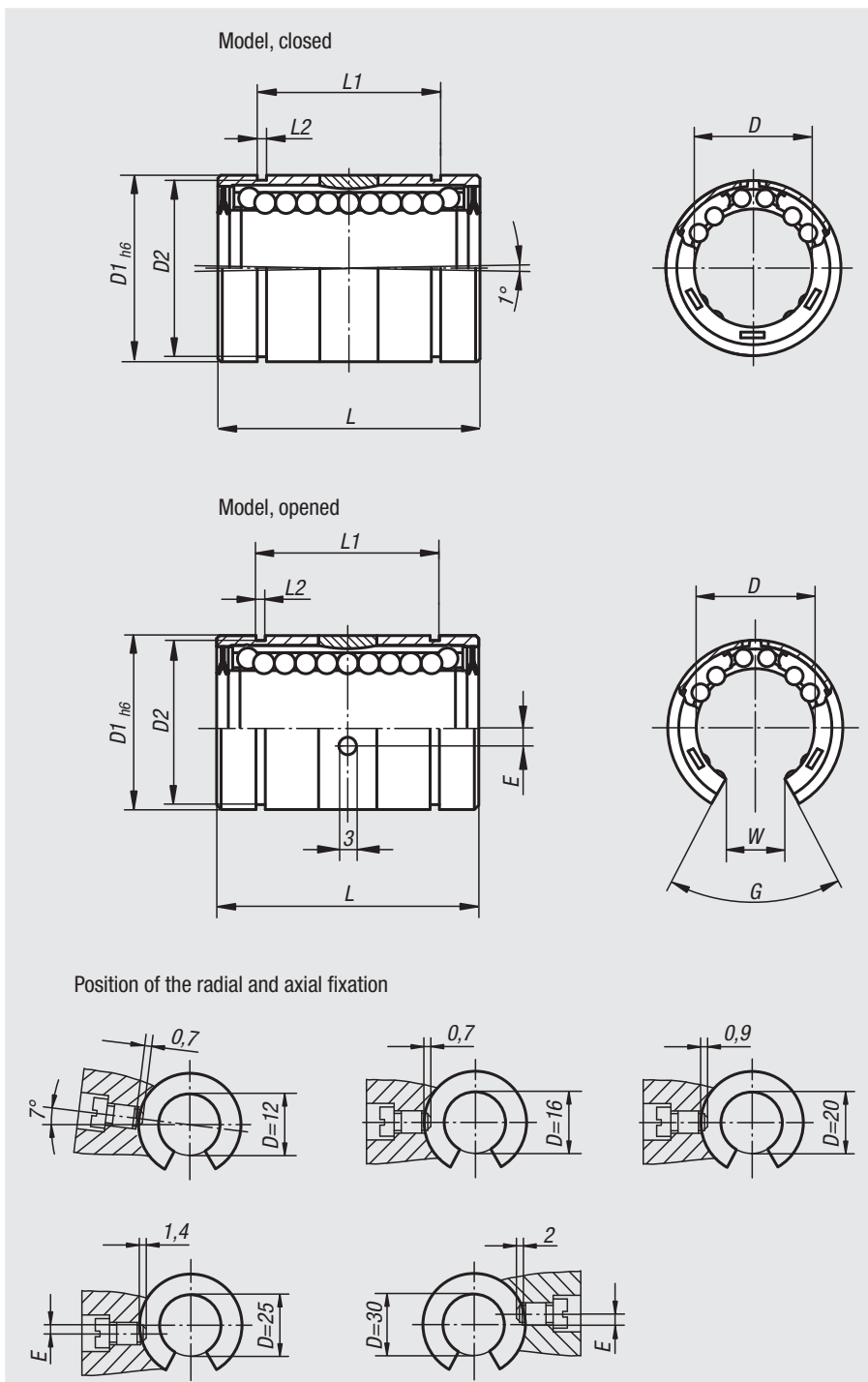
Shaft: h6
Housing: H7

Linear ball bearings with double-sided seal should be lubricated before installation.

The specified basic load ratings apply upon insertion of hardened and ground shafts.

Temperature range:

-20 °C up to +80 °C.



Order No. closed	Order No. open	D	D1	D2	E	G	L	L1	L2	W	Dynamic base loads N	Static base loads N	Approx. weight kg
21515-1202	21515-1212	12	22	21	-1,35	-70°	32 -0,2	22,6 -0,2	1,3	-7	750	825	0,023
21515-1602	21515-1612	16	26	24,9	-0	-70°	36 -0,2	24,6 -0,2	1,3	-9,4	2200	2400	0,030
21515-2002	21515-2012	20	32	30,3	-0	-60°	45 -0,2	31,2 -0,2	1,6	-10,2	4000	4400	0,066
21515-2502	21515-2512	25	40	37,5	-1,5	-60°	58 -0,3	43,7 -0,3	1,85	-14,4	6700	7300	0,133
21515-3002	21515-3012	30	47	44,5	-2	-55°	68 -0,3	51,7 -0,3	1,85	-13,9	8300	9100	0,202