

Linear housing units

with flange



Material:
Housing in aluminium

Surface finish:
Housing natural finish

Sample order:
nlm 21522-121002

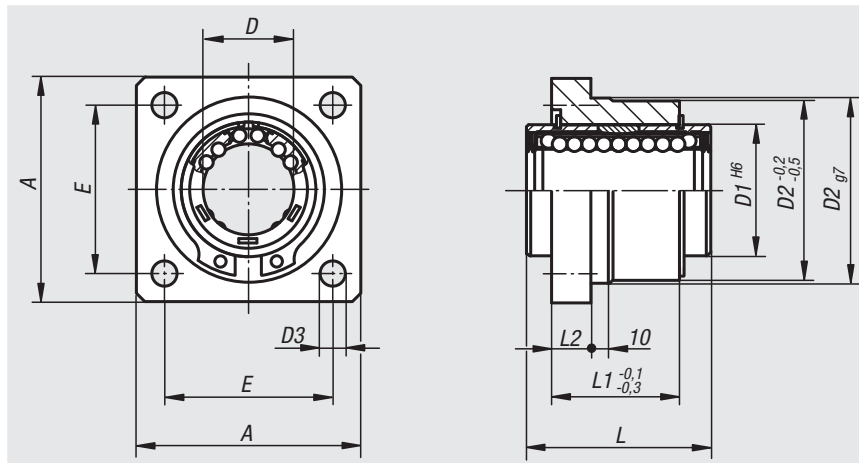
Note:
The ready-to-install linear housing units consist of an extruded aluminium housing, installed linear ball bearings with angle error adjustment 21510 and double-sided seal. Mounting of the bearings within the housing with circlips DIN 472.

Recommended shaft tolerance: h6.

Basic load ratings according to specification of the linear ball bearings.

On request:
Linear housing units can be equipped with all of the linear ball bearings presented in this catalogue.

Accessory:
Precision guide shafts 21595.
Fastening screws 07160 or 07161.



Order No.	A	D	D1	D2	D3	E	L	L1	L2	Approx. weight kg
21522-121002	40	12	22	32	5,5	30	32	22	6	0,120
21522-161002	50	16	26	38	5,5	35	36	24	8	0,170
21522-201002	60	20	32	46	6,6	42	45	30	10	0,330
21522-251002	70	25	40	58	6,6	54	58	42	12	0,680
21522-301002	80	30	47	66	9	60	68	50	14	1,030