

Linear housing units

with flange, tandem



Material:

Housing in aluminium

Surface finish:

Housing natural finish

Sample order:

nlm 21524-121002

Note:

The ready-to-install linear housing units consist of an extruded aluminium housing, two linear ball bearings with angle error adjustment 21510 and double-sided seal. Mounting of the bearings within the housing with circlips DIN 472.

Recommended shaft tolerance: h6.

Basic load ratings according to specification of the linear ball bearings (x2).

On request:

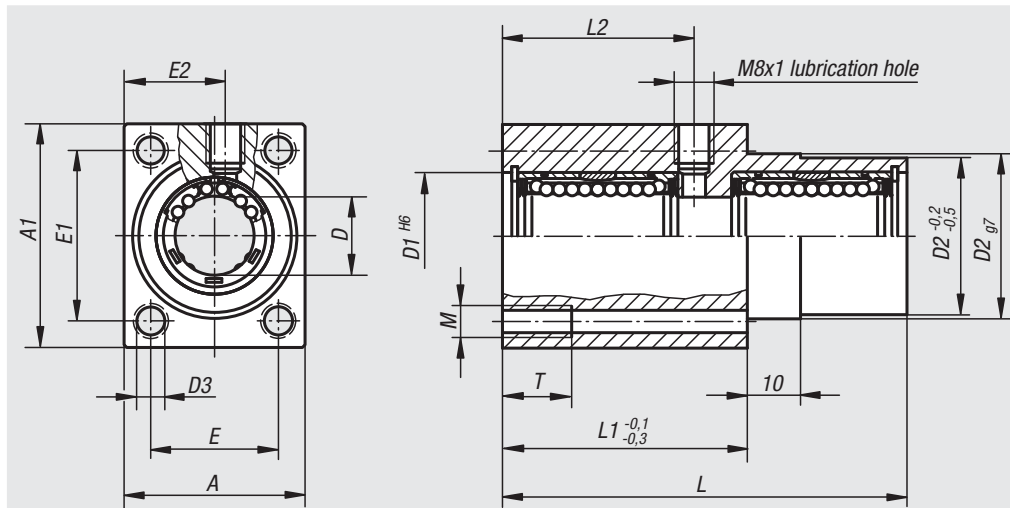
Linear housing units can be equipped with all of the linear ball bearings presented in this catalogue.

Accessory:

Attachment Seals 21560.

Precision guide shafts 21595.

Fastening screws 07160 or 07161.



Order No.	A	A1	D	D1	D2	D3	E	E1	E2	L	L1	L2	M	T	Approx. weight kg
21524-121002	34	42	12	22	30	5,3	24	32	19	76	46	36	M6	13	0,200
21524-161002	40	50	16	26	35	6,6	28	38	22	84	50	40	M8	18	0,320
21524-201002	50	60	20	32	42	8,4	35	45	27	104	60	50	M10	22	0,550
21524-251002	60	74	25	40	52	10,5	42	56	32	130	73	63	M12	26	1,170
21524-301002	70	84	30	47	61	13,5	50	64	37	152	82	74	M16	34	1,500