

Attachment seals

double-lip sealing rings



Material, surface finish:

Ring in steel;
rubber NBR

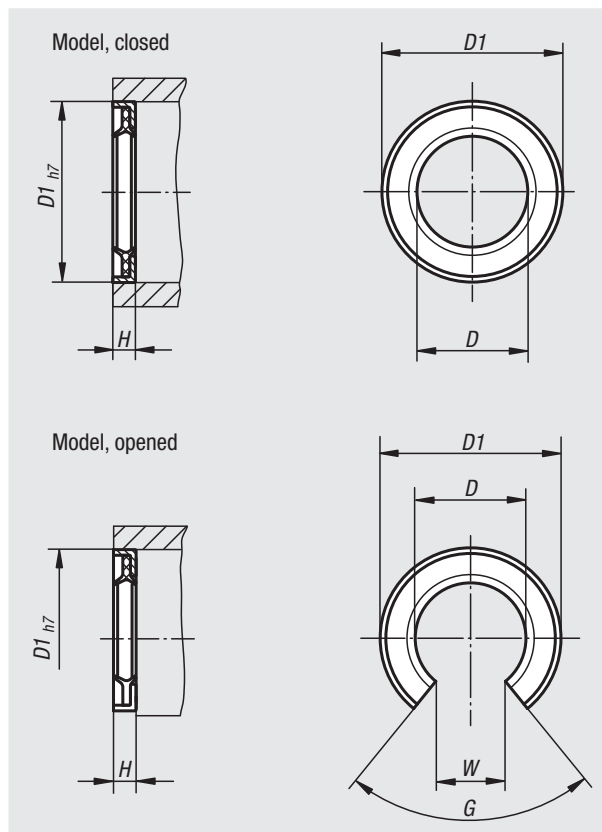
Sample order:

nIm 21560-120

Note:

In addition to the standard seals, attachment seals for linear ball linings are available. With these attachment seals, considerably improved dirt and dust protection is achieved.

The seals are inserted into the housing dill holes (tolerance H7) prior to the ball linings and secured with glue.



Order No. closed	Order No. open	D	D1	H	G	W
21560-120	21560-121	12	22	3	-/78°	-/7,5
21560-160	21560-161	16	26	3	-/78°	-/10
21560-200	21560-201	20	32	4	-/60°	-/10
21560-250	21560-251	25	40	4	-/60°	-/12,5
21560-300	21560-301	30	47	5	-/50°	-/12,5