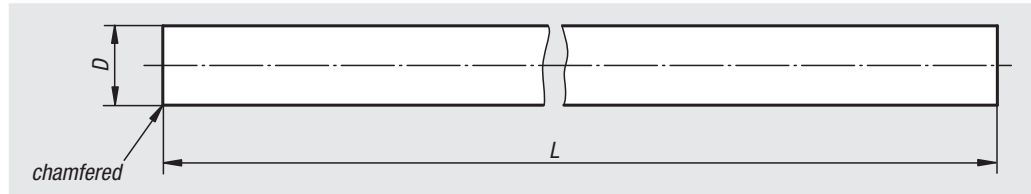


# Precision guide shafts


**Material:**

Steel 1.1213;  
stainless steel 1.4034.

**Surface finish:**

Steel, ground.  
Steel, ground and proportionally hard-chrome  
plated, chrome layer 5 - 10 µm.  
Stainless steel, ground.

The precision steel shafts are in general  
inductively surface-hardened.

**Sample order:**

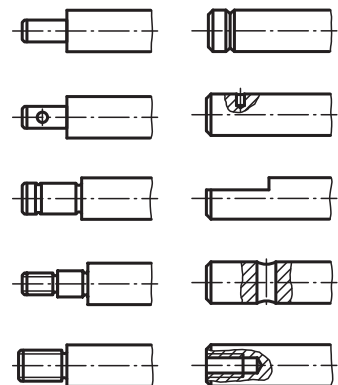
nIm 21595-012X1000

**Note:**

The surface value obtained during the inductive  
hardening process guarantees high surface  
wear resistance.

**On request:**

Processing of the ends and cylindrical lateral  
areas according to customer design.  
Lengths up to a max. 4000 mm.

**Machining examples:**


Order No.	Material	D	L	Hardness penetration depth max.	Surface hardness HRC	Approx. weight kg/m
21595-012X1000	steel	12 h6	1000	1,3	62 ±2	0,888
21595-016X1000	steel	16 h6	1000	1,6	62 ±2	1,578
21595-020X1000	steel	20 h6	1000	1,6	62 ±2	2,466
21595-025X1000	steel	25 h6	1000	1,8	62 ±2	3,853
21595-030X1000	steel	30 h6	1000	2	62 ±2	5,549
21595-112X1000	steel hard-chrome plated	12 h7	1000	1,3	65 – 70	0,888
21595-116X1000	steel hard-chrome plated	16 h7	1000	1,6	65 – 70	1,578
21595-120X1000	steel hard-chrome plated	20 h7	1000	1,6	65 – 70	2,466
21595-125X1000	steel hard-chrome plated	25 h7	1000	1,8	65 – 70	3,853
21595-130X1000	steel hard-chrome plated	30 h7	1000	2	65 – 70	5,549
21595-212X1000	stainless steel	12 h6	1000	1,3	51 – 55	0,888
21595-216X1000	stainless steel	16 h6	1000	1,6	51 – 55	1,578
21595-220X1000	stainless steel	20 h6	1000	1,8	51 – 55	2,466
21595-225X1000	stainless steel	25 h6	1000	2	51 – 55	3,853
21595-230X1000	stainless steel	30 h6	1000	2,4	51 – 55	5,549