

Position indicators for handwheels

analogue-digital display



Material, surface finish:

Housing glass-fibre reinforced plastic, black;
viewing window plastic, dust-proof

Sample order:

n1m 21962-800201

Note:

Position indicators are provided for installation in handwheels. They allow direct readout of set measurement values such as lengths, flow rates, speeds, etc., at a glance.

The measurement values are acquired according to the gravity principle. Conceived for use on horizontal spindles.

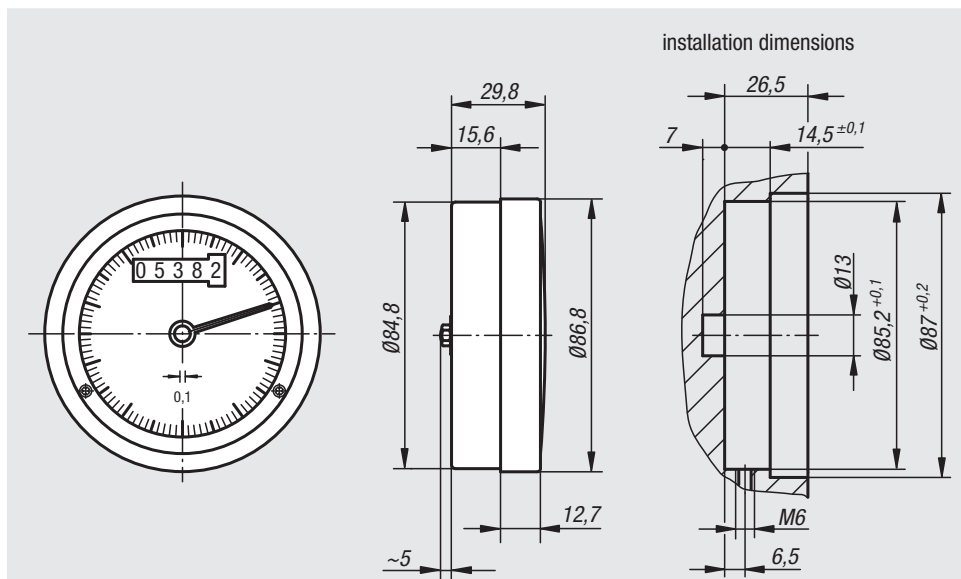
One revolution of the black pointer corresponds to one spindle rotation. In combination with the 5-place digital display, a very precise and easy read out of the position is thus obtained

On request:

– Other pitches

Accessory:

– Handwheels 21970 / 21972



Order No.	Size	Pitch	Indicator after one rotation	Suitable for	Approx. weight kg
21962-800201	80	2	00002	handwheel size 80	0,200
21962-800301	80	3	00003	handwheel size 80	0,200
21962-800401	80	4	00004	handwheel size 80	0,200
21962-800501	80	5	00005	handwheel size 80	0,200
21962-801001	80	10	00010	handwheel size 80	0,200