

# Handwheels for position indicators



**Material, surface finish:**

Housing glass-fibre reinforced plastic, black; hub in aluminium

**Sample order:**

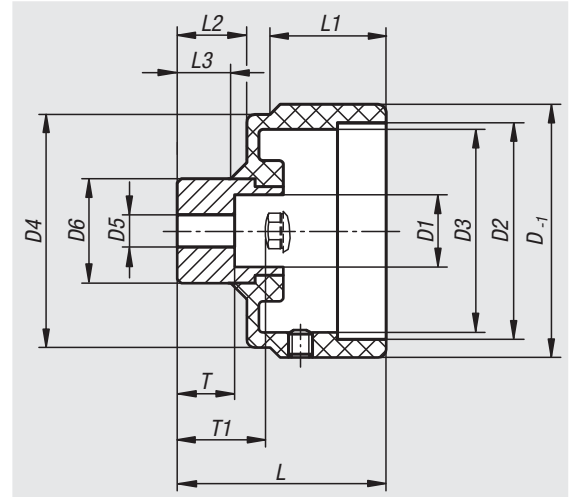
nIm 21970-500631

**Note:**

Compact handwheels with rounded edges for avoiding contamination. The handwheels have a recess for receiving position indicators.

**Accessory:**

– Position indicators 21960/21962



Order No.	Size	D	D1	D2	D3	D4	D5 predrilled	D6	L	L1	L2	L3	T	T1	Suitable for	Approx. weight kg
21970-500631	50	63	18	52	50,5	58	5,8	26	52	28,9	17,3	15	14,3	21	position indicator size 50	0,100
21970-800981	80	98	25,5	87	85,2	93	6,8	35	59	31,5	21,7	19	18	25,5	position indicator size 80	0,200

01000  
02000  
03000  
04000  
05000  
06000  
07000  
08000  
09000  
20000  
21000  
22000  
23000