

Handwheels for position indicators

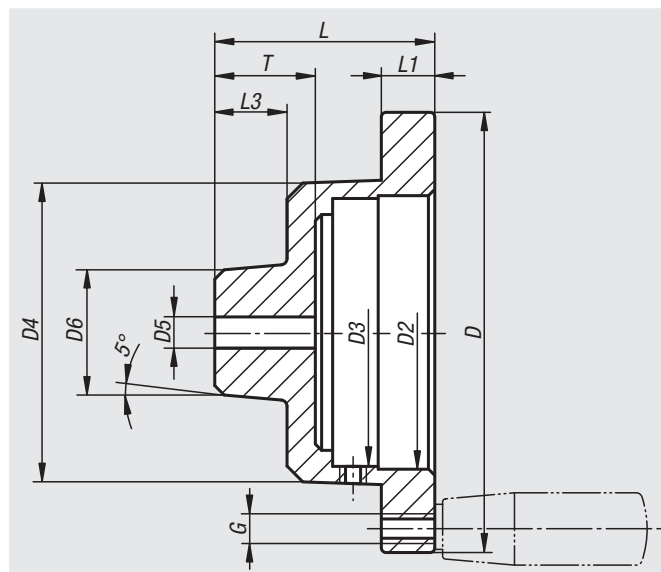


Material, surface finish:
Cast aluminium, natural finish

Sample order:
nlm 21972-500801

Note:
The handwheels have a recess for receiving position indicators.

Accessory:
– Position Indicators 21960/21962
– Handles 06290 – 06320



Order No.	Size	D	D2	D3	D4	D5 predrilled	D6	G	L	L1	L3	T	Suitable for	Approx. weight kg
21972-500801	50	80	52	50,5	60	5,8	26	M6	52	14	20	21	position indicator size 50	0,200
21972-801201	80	120	87	85,2	95	6,8	40	M6	64	15	23	30	position indicator size 80	0,500
21972-801401	80	140	87	85,2	95	6,8	40	M8	70	17	23	30	position indicator size 80	0,600