

# Oldham-type couplings

with radial clamping hub



## Material, surface finish:

Spacer polyacetal, hub in aluminium

## Sample order:

nIm 23030-0016,

D1 = 3

D2 = 3

(The hubs are supplied predrilled).

## Note:

Short assembly times due to the radial clamping hub. The couplings can be mounted in complete assembled condition resp. a plug-in assembly is also possible. The necessary tightening torque of the clamping screw must be noted.

## Assembly:

The connection of shaft ends to hub hole is optional. The play should be min. 0.01 mm and max. 0.04 mm, E.g. shaft:  $\emptyset 6 f7$   
hub:  $\emptyset 6 H8$ .

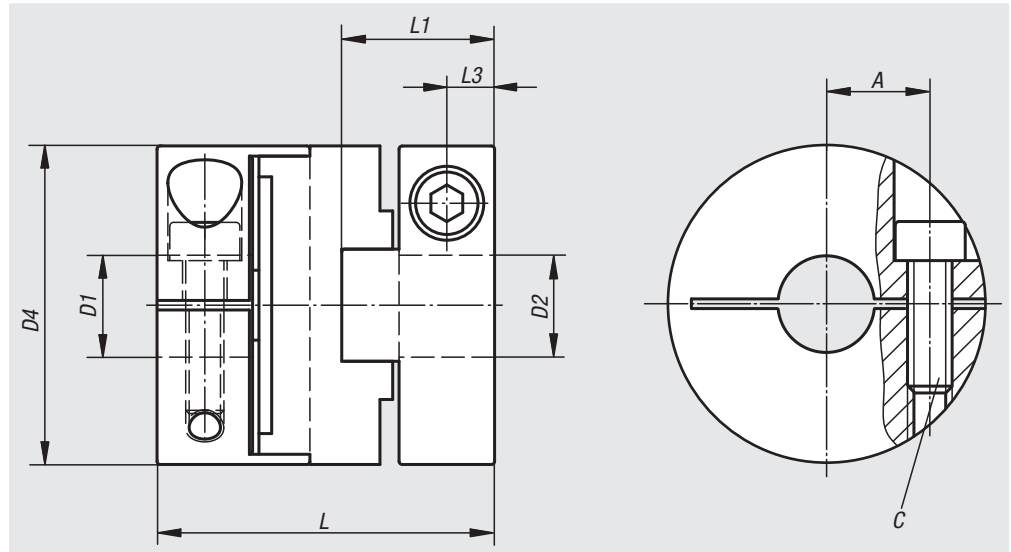
## Advantages:

- robust
- plug-in
- backlash-free
- short design

## On request:

Desired hub holes D1 and D2 separately with tolerance class or tolerance zone.

**miniature**



| Order No.  | Size | Nominal torque Nm | Moment of inertia ( $10^{-6} \text{ kgm}^2$ ) | Static resistance to torsion Nm/arcmin | Max. angular shaft displacement | Max. lateral shaft displacement | Revolutions per minute max. | Tightening torque of screws (Nm) |
|------------|------|-------------------|---|--|---------------------------------|---------------------------------|-----------------------------|----------------------------------|
| 23030-0016 | 16   | 1                 | 0,0032  | 0,019                                  | 2°                              | 1                               | 8000                        | 1                                |
| 23030-0020 | 20   | 1,5               | 0,0082  | 0,035                                  | 2°                              | 1,5                             | 7000                        | 1                                |
| 23030-0025 | 25   | 2,5               | 0,026   | 0,058                                  | 2°                              | 2                               | 6000                        | 1,5                              |
| 23030-0032 | 32   | 7                 | 0,083   | 0,18                                   | 2°                              | 2,5                             | 4800                        | 2,5                              |

| Order No.  | D1/D2 predrilled | D1/D2 min. | D1/D2 max. | D4 | A   | L    | L1  | L3 | C (DIN 912-10.9) | Approx. weight g |
|------------|------------------|------------|------------|----|-----|------|-----|----|------------------|------------------|
| 23030-0016 | 3                | 3          | 6          | 16 | 5   | 21   | 9,5 | 3  | M2,6             | 10               |
| 23030-0020 | 5                | 5          | 8          | 20 | 6,5 | 22,5 | 10  | 3  | M2,6             | 16               |
| 23030-0025 | 6,35             | 6,35       | 10         | 25 | 8   | 27   | 12  | 4  | M3               | 34               |
| 23030-0032 | 8                | 8          | 14         | 32 | 11  | 35   | 16  | 5  | M4               | 80               |