

Divided rigid couplings



Material, surface finish:

Steel 1.0718, natural finish;
stainless steel 1.4305, natural finish

Sample order:

nIm 23052-1100

Note:

Rigid couplings transmit high torques without rotational play. They are used when there are no shaft displacements or alignment errors. Wear-free and maintenance-free. Because screws are secured, no vibration-induced loosening of screws

Is only possible to achieve the transmission of the maximum torque with optimal installation and dimensional decision of the shafts.

Maximum speed 4000 rpm.

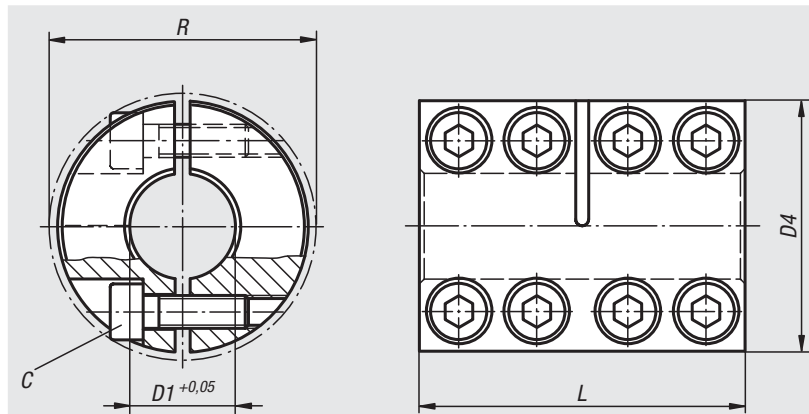
Temperature range:

-40 °C up to +175 °C.

On request:

Other dimensions.

Version with feather slot to DIN 6885/1, tolerance P9.



Order No.	Material	C (DIN 912-12.9)	D1	D4	L	R	Nominal torque Nm	Approx. weight kg
23052-1100	steel	M4x12	10	29	45	32,7	100	0,185
23052-1120	steel	M4x12	12	29	45	32,7	100	0,180
23052-1140	steel	M5x16	14	34	50	39,1	190	0,272
23052-1150	steel	M5x16	15	34	50	39,1	190	0,266
23052-1160	steel	M5x16	16	34	50	39,1	190	0,261
23052-1190	steel	M6x18	19	42	65	48,2	300	0,520
23052-1200	steel	M6x18	20	42	65	48,2	350	0,518
23052-1250	steel	M6x18	25	45	75	50,8	390	0,623
23052-1300	steel	M6x18	30	53	83	58,1	475	0,920

Order No.	Material	C (DIN 912 A2-70)	D1	D4	L	R	Nominal torque Nm	Approx. weight kg
23052-2100	stainless steel	M4x12	10	29	45	32,7	90	0,185
23052-2120	stainless steel	M4x12	12	29	45	32,7	90	0,180
23052-2140	stainless steel	M5x16	14	34	50	39,1	160	0,272
23052-2150	stainless steel	M5x16	15	34	50	39,1	160	0,266
23052-2160	stainless steel	M5x16	16	34	50	39,1	160	0,261
23052-2190	stainless steel	M6x18	19	42	65	48,2	260	0,520
23052-2200	stainless steel	M6x18	20	42	65	48,2	300	0,518
23052-2250	stainless steel	M6x18	25	45	75	50,8	325	0,623
23052-2300	stainless steel	M6x18	30	53	83	58,1	400	0,920