

Shaft-hub clamping sets

stainless steel



Material:

Stainless steel 1.4301

Surface finish:

Natural finish

Sample order:

nIm 23370-040008

Note:

Self-centring and play-free shaft-hub clamping sets with a very low moment of inertia and minimal space required. The clamping sets produce a connection between shaft and hub actuated by spring. Quick assembly and disassembly with a central nut. The connection can be disassembled by means of an extractor.

Run-out accuracy of the clamping sets ± 0.01 mm.

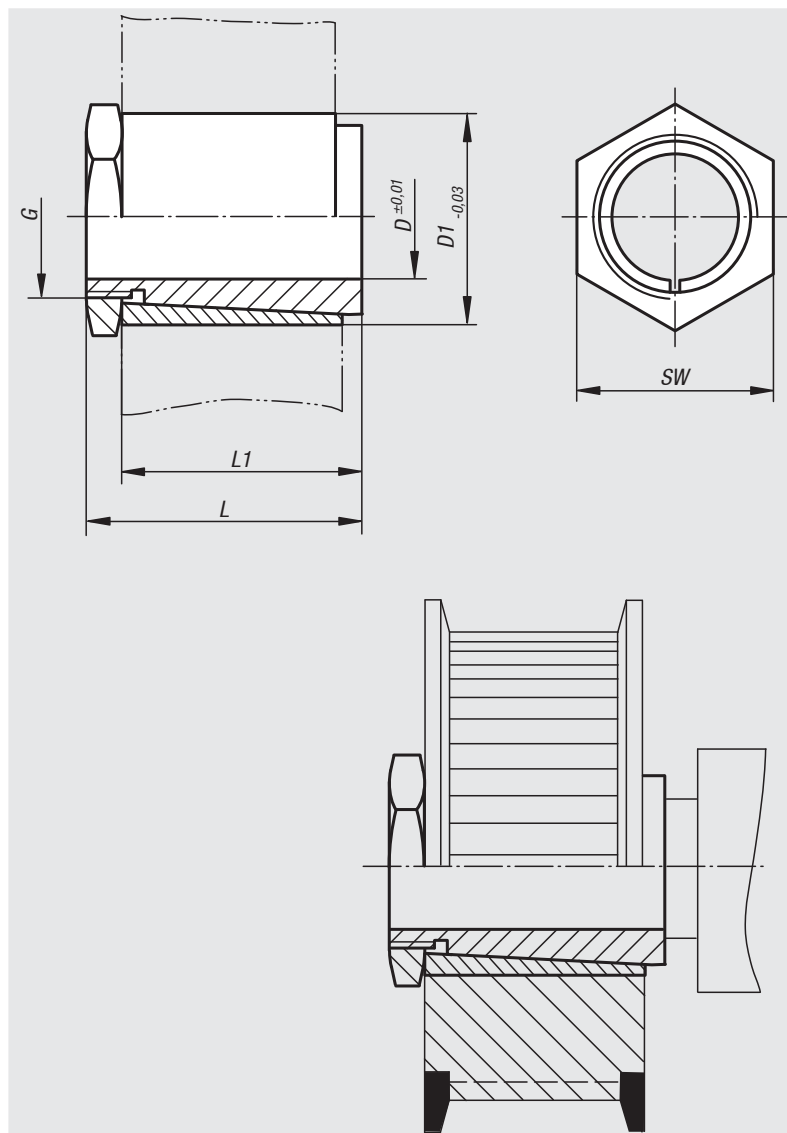
Assembly:

In order to reach the specified torque, the clamping set must be installed free of grease. The clamping set must seat solidly with the entire length upon the shaft. For maximal torque, shaft and hub must be sufficiently firm (lowest elastic limit 350 N/mm^2 , e.g., C45).

Requisite tolerances:

Shaft: h7

Hub: H7



Order No.	D	D1	L	L1	G	SW	Tightening torque max. Nm	Torque transmissible T Nm	Approx. weight kg
23370-040008	4	8	15	12,5	M6x0,5	8	4	3	0,004
23370-050010	5	10	15	12,5	M8x0,5	10	5	4	0,007
23370-060010	6	10	15	12,5	M8x0,5	10	8	7	0,005
23370-063510	6,35	10	15	12,5	M8x0,5	10	8	7	0,005
23370-080014	8	14	22	19	M12x1	17	15	14	0,018
23370-090014	9	14	22	19	M12x1	17	15	14	0,015
23370-100017	10	17	22	18,5	M15x1	19	19	18	0,029
23370-120017	12	17	22	18,5	M15x1	19	19	18	0,026
23370-140020	14	20	28	23	M17x1	22	25	24	0,035
23370-150020	15	20	28	23	M17x1	22	25	24	0,036
23370-160023	16	23	28	23	M20x1	27	27	26	0,051
23370-190025	19	25	28	23	M22x1	27	30	29	0,047
23370-200028	20	28	28	23	M25x1	30	32	31	0,067