

## Protective rubber covers

for ball-and-socket joints or cardan joints (single)

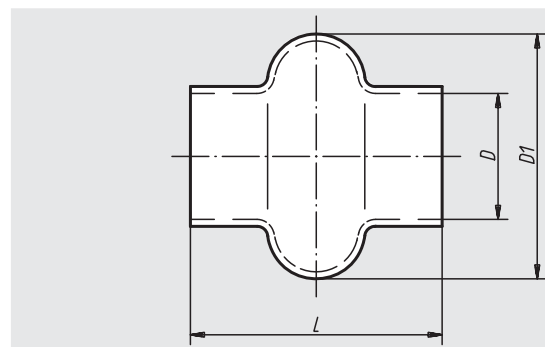


**Sample order:**  
nlm 23414-16

**Note:**

The protective rubber sleeves (single) fit on simple joints above 16 mm outer diameter. They consist of a resilient, oil-resistant plastic and are produced by a dipping method.

The Order No. 23414-50 is supplied with 4-fold bellows.



Order No.	D	D1	L	Suitable for single joints of shaft Ø (D1)	Approx. weight g
23414-16	16	35	32	16	6,7
23414-20	20	36	40	20	6,8
23414-24	24	44	45	24	16,1
23414-28	28	51	50	28	17,9
23414-32	32	62	55	32	26,4
23414-36	36	65	65	36	24,8
23414-40	40	73	75	40	28,6
23414-45	45	80	85	45	25,7
23414-50	50	90	95	50	63,2
23414-65	65	110	125	63	87,5
23414-70	70	125	137	70	134,3

## Protective rubber covers

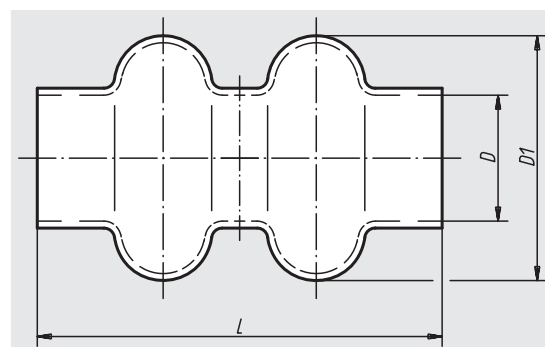
for ball-and-socket joints or cardan joints (double)



**Sample order:**  
nlm 23415-16

**Note:**

The protective rubber sleeves (double) fit double joints from 16 mm outer diameter onwards. They consist of a rubberised elastic, oil-resistant plastic and are made using the immersion process.



Order No.	D	D1	L	Suitable for double joints of shaft Ø (D1)	Approx. weight g
23415-16	16	35	55	16	9,8
23415-20	20	36	65	20	9,8
23415-24	24	44	70	24	23,7
23415-28	28	51	80	28	24,1
23415-32	32	62	90	32	49,3
23415-40	40	73	120	40	79,0
23415-50	50	90	155	50	106,6